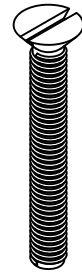
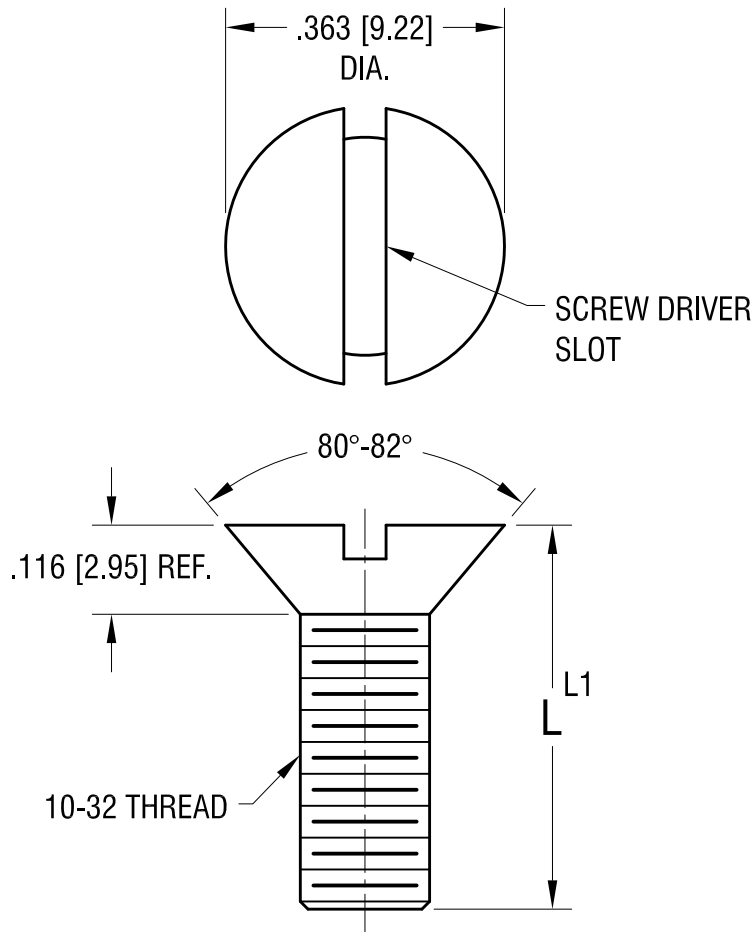


THIS DOCUMENT IS THE PROPERTY OF
KEYSTONE ELECTRONICS CORP. AND
SHALL NOT BE REPRODUCED, DISTRIBUTED
OR USED AS A BASIS FOR MANUFACTURE
WITHOUT PRIOR WRITTEN PERMISSION
FROM KEYSTONE ELECTRONICS CORP.

ACTUAL SIZE



P/N 9553



PART NO.	'L' DIM.	'L1' TOL. +0.0
9550	.500 [12.70]	-.020 [-0.50]
9551	.750 [19.05]	-.030 [-0.76]
9552	1.000 [25.40]	
9553	1.500 [38.10]	-.060 [-1.52]

KEYSTONE ELECTRONICS CORP.

www.keyelco.com • NEW HYDE PARK NY 11040 • Tel (516)328-7500

PART NAME

10-32 FLAT HEAD SCREW

MATERIAL

NYLON 6/6

FINISH

NONE

DRN BY

BOONE

DATE

3.1.04

APP'D

RH

SCALE

4X

TOLERANCES

INCH [MM]

DECIMAL ± .023 [± 0.58]

ANGULAR ± 1°

UNLESS OTHERWISE SPECIFIED

CODE

C

DWG NO.

9550-9553

DATE	DESCRIPTION	REV.