

840-AG11D-ESL-LF x OBSOLETE

DIPLOMATE

TE Internal #: 3-1571552-2

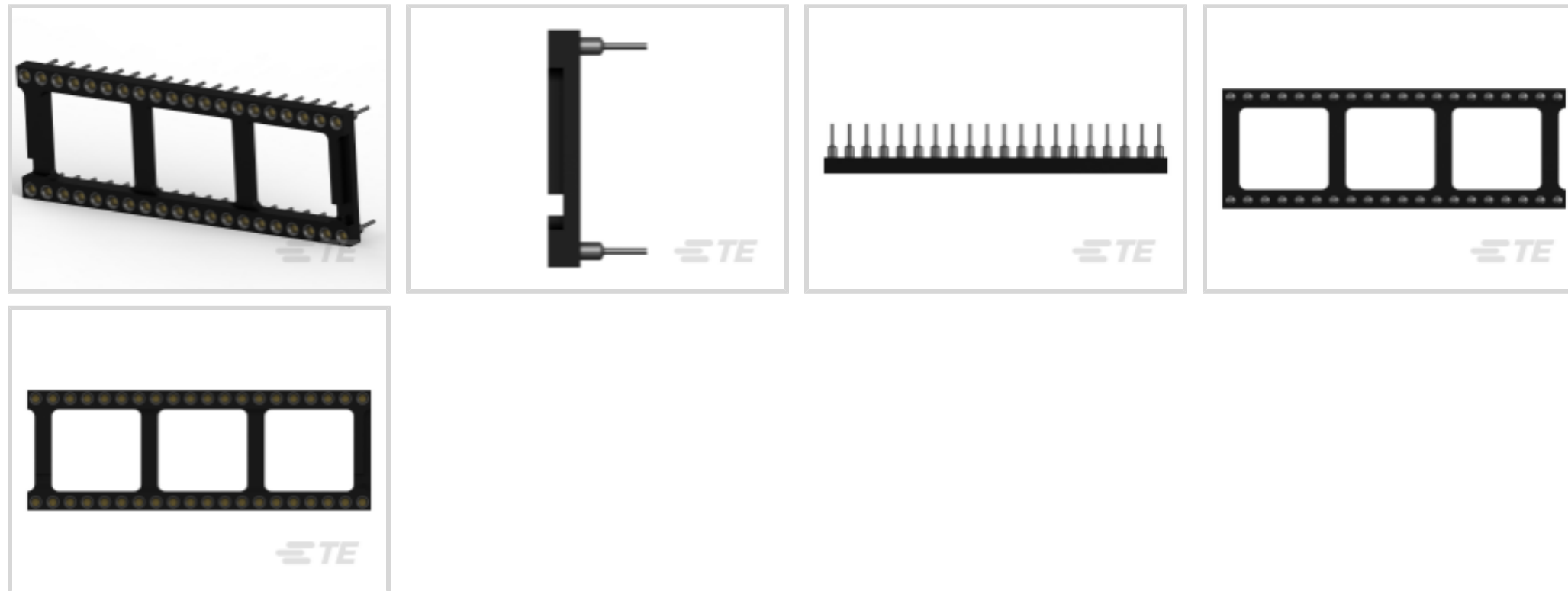
TE Internal Description: 840-AG11D-ESL-LF=800 DIP,GF/SN

DIP Socket: Standard, Stamped & Formed, Open, Gold

[View on TE.com >](#)



Connectors > Socket Connectors > IC Sockets > DIP Sockets > DIP Socket: Standard, Stamped & Formed, Open, Gold



Contact Fabrication: **Stamped & Formed**

Number of Positions: **40**

Connector Profile: **Standard**

Row-to-Row Spacing: **15.24 mm [.6 in]**

Contact Mating Area Plating Material: **Gold**

Features

Product Type Features

Connector & Contact Terminates To	Printed Circuit Board
-----------------------------------	-----------------------

Configuration Features

Number of Rows	2
PCB Mount Orientation	Vertical
Number of Positions	40

Electrical Characteristics

Insulation Resistance	5000 M Ω
Contact Resistance	10 m Ω

Body Features

Sleeve Material	Brass
Sleeve Plating Material	Tin
Frame Style	Ladder, Open
Connector Profile	Standard

Contact Features

Mating Contact Type	Four-Fingered
IC Socket Type	DIP
Contact Type	Pin
PCB Contact Termination Area Plating Material	Tin
Contact Base Material	Beryllium Copper
Contact Fabrication	Stamped & Formed
Contact Mating Area Plating Material	Gold
	5 µin
Contact Current Rating (Max)	3 A

Termination Features

Termination Post & Tail Length	3.18 mm[.125 in]
Termination Method to PCB	Through Hole - Solder

Mechanical Attachment

Mating Alignment Type	Polarization
Mating Alignment	With
Connector Mounting Type	Board Mount

Housing Features

Housing Material	Thermoplastic Polyester
Housing Color	Black
Centerline (Pitch)	2.54 mm[.1 in]

Dimensions

Profile Height from PCB	2.67 mm[.105 in]
Product Length	50.8 mm[2 in]
Row-to-Row Spacing	15.24 mm[.6 in]

Usage Conditions

Operating Temperature Range	-55 – 105 °C[-67 – 221 °F]
-----------------------------	----------------------------

Operation/Application

Circuit Application	Signal
---------------------	--------

Industry Standards

UL Flammability Rating	UL 94V-0
------------------------	----------

Packaging Features

Tubes per Box	100
---------------	-----



Packaging Quantity	12
Packaging Method	Box & Tube, Tube

Other

Quantity per Tube	12
-------------------	----

Product Compliance

[For compliance documentation, visit the product page on TE.com>](#)

EU RoHS Directive 2011/65/EU	Compliant
EU ELV Directive 2000/53/EC	Compliant
China RoHS 2 Directive MIIT Order No 32, 2016	No Restricted Materials Above Threshold
EU REACH Regulation (EC) No. 1907/2006	Current ECHA Candidate List: JUNE 2024 (241) Candidate List Declared Against: JAN 2021 (211) Does not contain REACH SVHC
Halogen Content	Not Low Halogen - contains Br or Cl > 900 ppm.
Solder Process Capability	Wave solder capable to 265°C

Product Compliance Disclaimer

This information is provided based on reasonable inquiry of our suppliers and represents our current actual knowledge based on the information they provided. This information is subject to change. The part numbers that TE has identified as EU RoHS compliant have a maximum concentration of 0.1% by weight in homogenous materials for lead, hexavalent chromium, mercury, PBB, PBDE, DBP, BBP, DEHP, DIBP, and 0.01% for cadmium, or qualify for an exemption to these limits as defined in the Annexes of Directive 2011/65/EU (RoHS2). Finished electrical and electronic equipment products will be CE marked as required by Directive 2011/65/EU. Components may not be CE marked. Additionally, the part numbers that TE has identified as EU ELV compliant have a maximum concentration of 0.1% by weight in homogenous materials for lead, hexavalent chromium, and mercury, and 0.01% for cadmium, or qualify for an exemption to these limits as defined in the Annexes of Directive 2000/53/EC (ELV). Regarding the REACH Regulation, the information TE provides on SVHC in articles for this part number is based on the latest European Chemicals Agency (ECHA) 'Guidance on requirements for substances in articles' posted at this URL: <https://echa.europa.eu/guidance-documents/guidance-on-reach>

Customers Also Bought

TE Part #342103-1
22-16 F.E.P.G. RING TONGUE NO.

TE Part #1623934-8
ZEROHM 0207 STEEL

TE Part #165616-2
110 PIDG FASTON REC

TE Part #2-1571552-5
DIP Socket: Standard, Stamped & Formed, Open, Gold



TE Part #2-1571552-4
816-AG11D-ESL-LF=800 DIP,GF/SN



TE Part #5227716-3
BNC SOLDER RECEPT JACK

Documents

Product Drawings

[840-AG11D-ESL-LF=800 DIP,GF/SN](#)

English

CAD Files

[3D PDF](#)

3D

Customer View Model

[ENG_CVM_CVM_3-1571552-2_E.2d_dxf.zip](#)

English

Customer View Model

[ENG_CVM_CVM_3-1571552-2_E.3d_igs.zip](#)

English

Customer View Model

[ENG_CVM_CVM_3-1571552-2_E.3d_stp.zip](#)

English

By downloading the CAD file I accept and agree to the [Terms and Conditions](#) of use.

Datasheets & Catalog Pages

[DIP Sockets Quick Reference Guide \(EN\)](#)

English