



Connectors > PCB Connectors > Backplane Connectors > Eurocard Connectors



Connector & Housing Type: **Plug**

Connector System: **Board-to-Board**

Termination Post & Tail Length: **4.5 mm [ .177 in ]**

Number of Positions: **64**

Centerline (Pitch): **2.54 mm [ .1 in ]**

## Features

### Product Type Features

Connector & Housing Type	Plug
Connector System	Board-to-Board
Connector & Contact Terminates To	Printed Circuit Board
DIN Size	Standard
DIN Level	II

### Configuration Features

Number of Power or Coaxial Positions	2
Number of Positions	64
Number of Rows	2
PCB Mount Orientation	Vertical
Number of Columns	32
Number of Signal Positions	64
Rows Loaded	A, B, C

### Body Features

Primary Product Color	Gray
-----------------------	------

### Contact Features

Contact Type	Pin
Contact Base Material	Phosphor Bronze
Contact Current Rating (Max)	1.5 A

### Termination Features

Termination Method to PCB	Through Hole - Solder
Termination Post & Tail Length	4.5 mm[.177 in]

### Mechanical Attachment

Mating Alignment	Without
Panel Mount Feature	Without
PCB Mount Retention	With
PCB Mount Retention Type	Mounting Hole
Connector Mounting Type	Board Mount

### Housing Features

Housing Material	Thermoplastic PBT GF
Centerline (Pitch)	2.54 mm[.1 in]

### Dimensions

Connector Height	11.51 mm
Row-to-Row Spacing	2.54 mm[.1 in]

### Usage Conditions

Operating Temperature Range	-55 – 105 °C[-67 – 221 °F]
-----------------------------	----------------------------

### Operation/Application

Shielded	No
Circuit Application	Power & Signal

### Industry Standards

UL Flammability Rating	UL 94V-0
------------------------	----------

### Packaging Features

Packaging Method	Box
------------------	-----

### Product Compliance

[For compliance documentation, visit the product page on TE.com>](#)



EU RoHS Directive 2011/65/EU	Compliant
EU ELV Directive 2000/53/EC	Compliant
China RoHS 2 Directive MIIT Order No 32, 2016	No Restricted Materials Above Threshold
EU REACH Regulation (EC) No. 1907/2006	Current ECHA Candidate List: JUNE 2024 (241) Candidate List Declared Against: JUNE 2024 (241) Does not contain REACH SVHC
Halogen Content	Not Low Halogen - contains Br or Cl > 900 ppm.
Solder Process Capability	Wave solder capable to 240°C

Product Compliance Disclaimer

This information is provided based on reasonable inquiry of our suppliers and represents our current actual knowledge based on the information they provided. This information is subject to change. The part numbers that TE has identified as EU RoHS compliant have a maximum concentration of 0.1% by weight in homogenous materials for lead, hexavalent chromium, mercury, PBB, PBDE, DBP, BBP, DEHP, DIBP, and 0.01% for cadmium, or qualify for an exemption to these limits as defined in the Annexes of Directive 2011/65/EU (RoHS2). Finished electrical and electronic equipment products will be CE marked as required by Directive 2011/65/EU. Components may not be CE marked. Additionally, the part numbers that TE has identified as EU ELV compliant have a maximum concentration of 0.1% by weight in homogenous materials for lead, hexavalent chromium, and mercury, and 0.01% for cadmium, or qualify for an exemption to these limits as defined in the Annexes of Directive 2000/53/EC (ELV). Regarding the REACH Regulation, the information TE provides on SVHC in articles for this part number is based on the latest European Chemicals Agency (ECHA) 'Guidance on requirements for substances in articles' posted at this URL: <https://echa.europa.eu/guidance-documents/guidance-on-reach>

## Compatible Parts

TE Part # 5650870-4  
ASSEMBLY,RECEPTACLE,EURO,TYPE

TE Part # 5650408-5  
ASSEMBLY,RECEPTACLE,EURO,TYPE

TE Part # 5650870-5  
ASSEMBLY,RECEPTACLE,EURO,TYPE

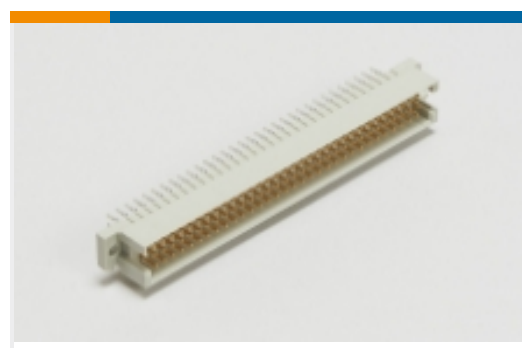
TE Part # 5650897-4  
ASSY,RECEPT,EURO,TYPE R,L-FREE, A&C,64/96

TE Part # 5650897-5  
ASSY,RECEPT,EURO,TYPE R,L-FREE, A&C,64/96

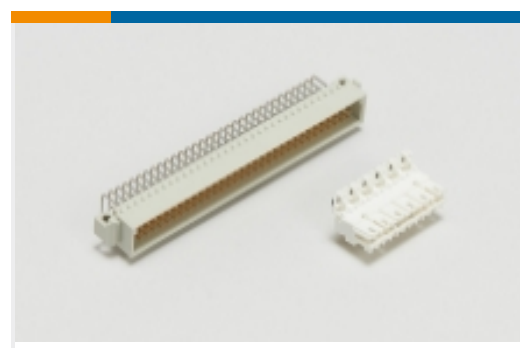
TE Part # 166811-2  
RV100 FEM CON 2X32P

TE Part # 5148296-2  
ASSY,RECEPT,EUROCARD,TYPE R,L-FREE,A&B,6

## Also in the Series | Eurocard Type R

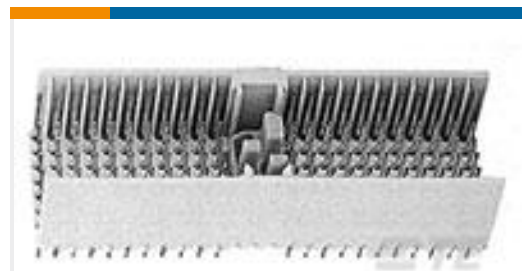
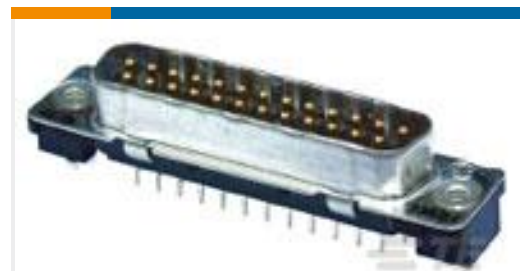
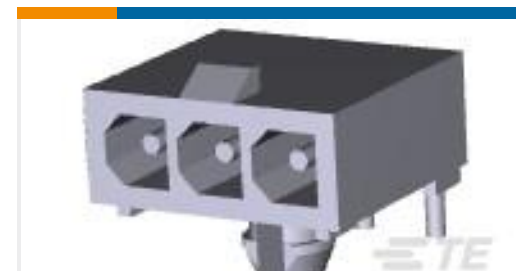
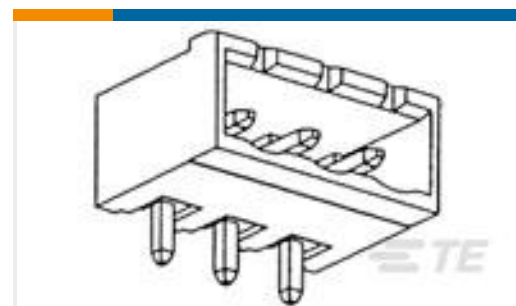


Eurocard Connectors(79)



Standard Edge Connectors(1)

## Customers Also Bought

TE Part #5188834-1  
Z-PACK/A M-HDR 154P.TE Part #5747871-4  
09 PLUG SP/FMS STDTE Part #2-1445098-2  
MICRO MNL HDR ASSY S/ROW AU LFTE Part #1-770967-1  
03P MINI UMNL R/A HDR ASSY AUTE Part #3-794620-6  
06P MICRO MNL ASSY,R/A,HDR,LFTE Part #5555077-1  
MJ,LPF,R/A,6P/6C,SMT,PNL STOPTE Part #1776038-5  
5P 5.08 R/A HDR,CLOSED ENDTE Part #4-1734742-0  
.5 FPC VT ZIF Type-A 40 CONTTE Part #5745187-8  
25 RCPT SP/MS STDTE Part #2-5178238-2  
CHAMP.050 REC ASS'Y 20P PB-FRE

## Documents

### Product Drawings

V42254B1202R963=PC612 MESSERLE

English

### CAD Files

3D PDF

3D

Customer View Model

ENG\_CVM\_CVM\_4-1393659-7\_B.2d\_dxf.zip



English

Customer View Model

[ENG\\_CVM\\_CVM\\_4-1393659-7\\_B.3d\\_igs.zip](#)

English

Customer View Model

[ENG\\_CVM\\_CVM\\_4-1393659-7\\_B.3d\\_stp.zip](#)

English

By downloading the CAD file I accept and agree to the [Terms and Conditions](#) of use.