

1

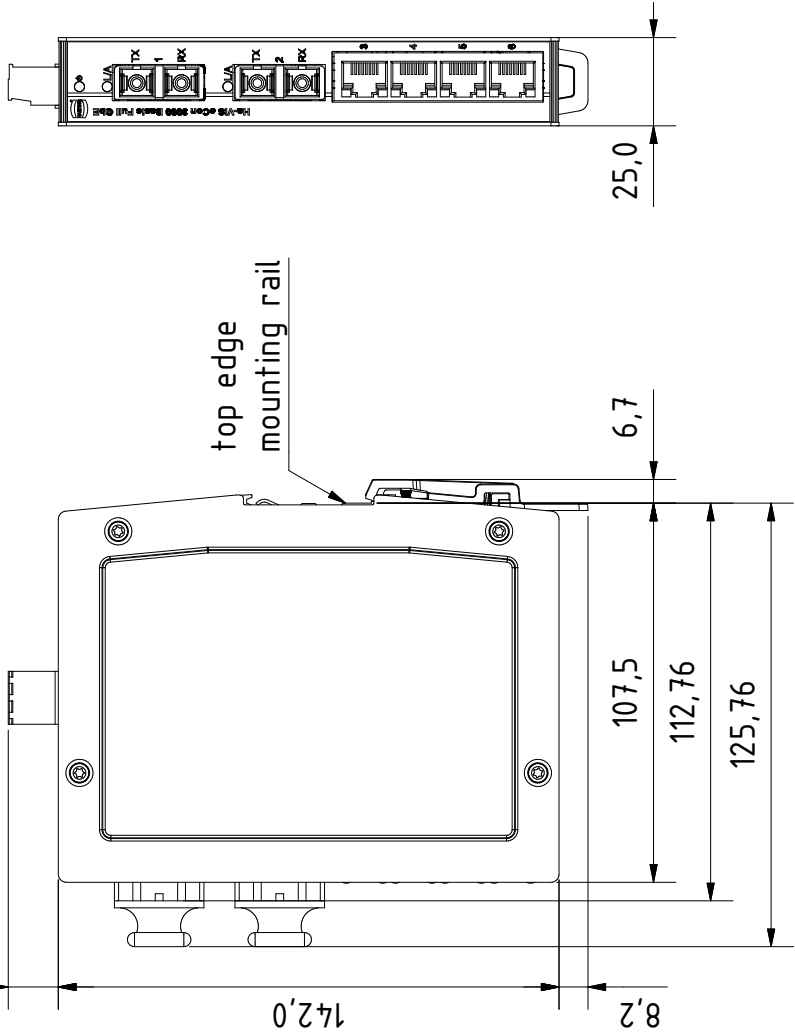
2

3

4

5

6



for mounting rail acc.to DIN EN 60715

	All rights reserved Department EL_PD - DE	All Dimensions in mm Original Size DIN A4	Scale 1:2	Free size tol.	Ref. Sub.
	HARTING Electric GmbH & Co. KG D-32339 Espelkamp	Created by STK	Inspected by KLA	Standardisation TIE	Date 2014-01-17
Title Ha-VIS eCon 3042GB-AF		Final Release		Doc-Key / ECM-Nr.	
Type TB	Number 24034042210	Rev. A		Page 1/1	

