



Connectors > Automotive Connectors > Automotive Connector Accessories > Other Automotive Connector Accessories



Automotive Connector Accessory Type: **Seal Retainer**

Primary Product Material: **PA GF**

Primary Product Color: **Black**

Operating Temperature Range: **-40 – 125 °C [-40 – 257 °F]**

## Features

### Product Type Features

Automotive Connector Accessory Type	Seal Retainer
-------------------------------------	---------------

### Body Features

Primary Product Material	PA GF
Primary Product Color	Black

### Usage Conditions

Operating Temperature Range	-40 – 125 °C[-40 – 257 °F]
-----------------------------	----------------------------

### Industry Standards

UL Flammability Rating	UL 94HB
------------------------	---------

### Packaging Features

Packaging Quantity	1
Packaging Method	Package

## Product Compliance

[For compliance documentation, visit the product page on TE.com>](#)

EU RoHS Directive 2011/65/EU	Compliant
EU ELV Directive 2000/53/EC	Compliant
China RoHS 2 Directive MIIT Order No 32, 2016	No Restricted Materials Above Threshold
EU REACH Regulation (EC) No. 1907/2006	Current ECHA Candidate List: JUNE 2024 (241)



Candidate List Declared Against: JUNE 2024 (241)  
Does not contain REACH SVHC

Halogen Content	Low Halogen - Br, Cl, F, I < 900 ppm per homogenous material. Also BFR/CFR/PVC Free
Solder Process Capability	Not applicable for solder process capability

Product Compliance Disclaimer

This information is provided based on reasonable inquiry of our suppliers and represents our current actual knowledge based on the information they provided. This information is subject to change. The part numbers that TE has identified as EU RoHS compliant have a maximum concentration of 0.1% by weight in homogenous materials for lead, hexavalent chromium, mercury, PBB, PBDE, DBP, BBP, DEHP, DIBP, and 0.01% for cadmium, or qualify for an exemption to these limits as defined in the Annexes of Directive 2011/65/EU (RoHS2). Finished electrical and electronic equipment products will be CE marked as required by Directive 2011/65/EU. Components may not be CE marked. Additionally, the part numbers that TE has identified as EU ELV compliant have a maximum concentration of 0.1% by weight in homogenous materials for lead, hexavalent chromium, and mercury, and 0.01% for cadmium, or qualify for an exemption to these limits as defined in the Annexes of Directive 2000/53/EC (ELV). Regarding the REACH Regulation, the information TE provides on SVHC in articles for this part number is based on the latest European Chemicals Agency (ECHA) 'Guidance on requirements for substances in articles' posted at this URL: <https://echa.europa.eu/guidance-documents/guidance-on-reach>

### Compatible Parts



TE Part # 4-2103177-6  
PLUG ASSY, KEY F, FA,CPA, HVA280-2PHI XE



TE Part # 4-2103177-5  
PLUG ASSY, KEY E, FA,CPA, HVA280-2PHI XE



TE Part # 1-2103177-4  
PLUG ASSY, KEY D, TA, HVA280-2PHI XE



TE Part # 4-2103177-1  
PLUG ASSY, KEY A, FA,CPA, HVA280-2PHI XE



TE Part # 4-2103177-2  
PLUG ASSY, KEY B, FA,CPA, HVA280-2PHI XE



TE Part # 4-2103177-4  
PLUG ASSY, KEY D, FA,CPA, HVA280-2PHI XE



TE Part # 1-2103177-1  
PLUG ASSY, KEY A, TA, HVA280-2PHI XE



TE Part # 1-2103177-2  
PLUG ASSY, KEY B, TA, HVA280-2PHI XE



TE Part # 5-2103177-1  
PLUG ASSY, KEY A, FA, HVA280-2PHI XE

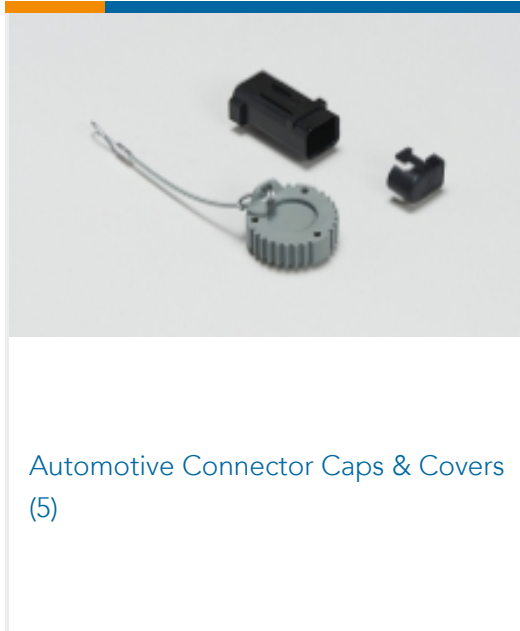


TE Part # 5-2103177-2  
PLUG ASSY, KEY B, FA, HVA280-2PHI XE

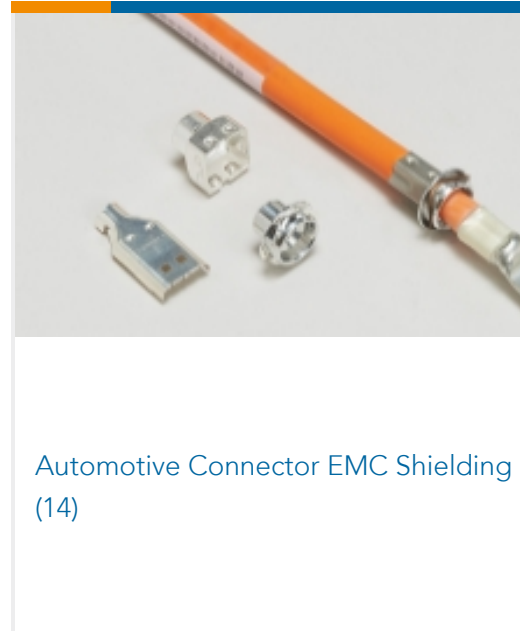


TE Part # 5-2103177-4  
PLUG ASSY, KEY D, FA, HVA280-2PHI XE

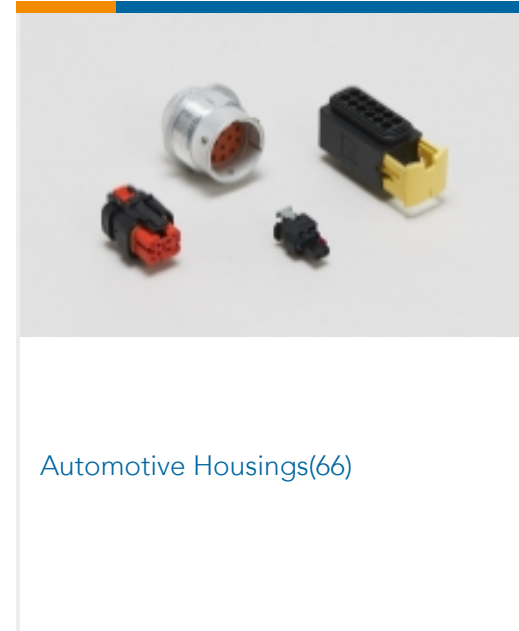
Also in the Series | **HVA 280**



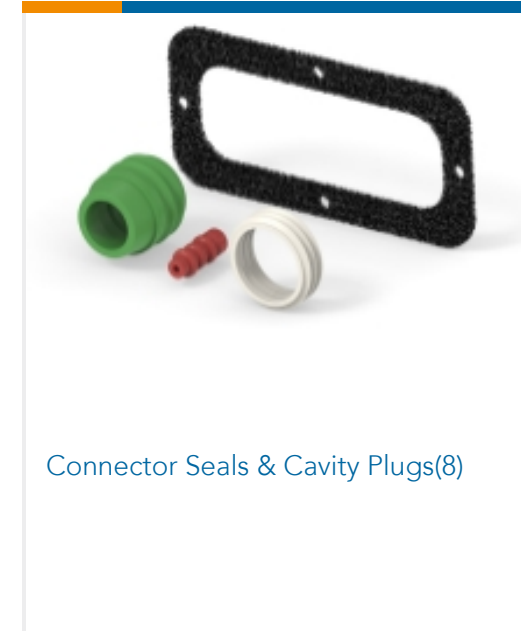
Automotive Connector Caps & Covers (5)



Automotive Connector EMC Shielding (14)



Automotive Housings(66)



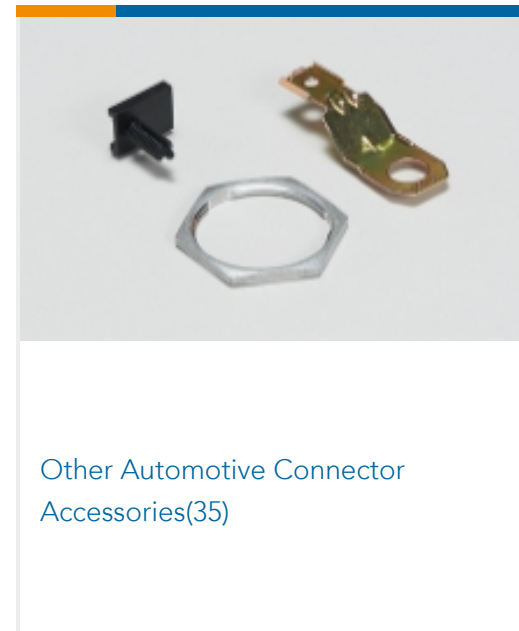
Connector Seals & Cavity Plugs(8)



Electric, Hybrid & Fuel Cell Cable Assemblies(21)



High Voltage Wire Processing Equipment(7)



Other Automotive Connector Accessories(35)



PCB Headers & Receptacles(22)

Customers Also Bought



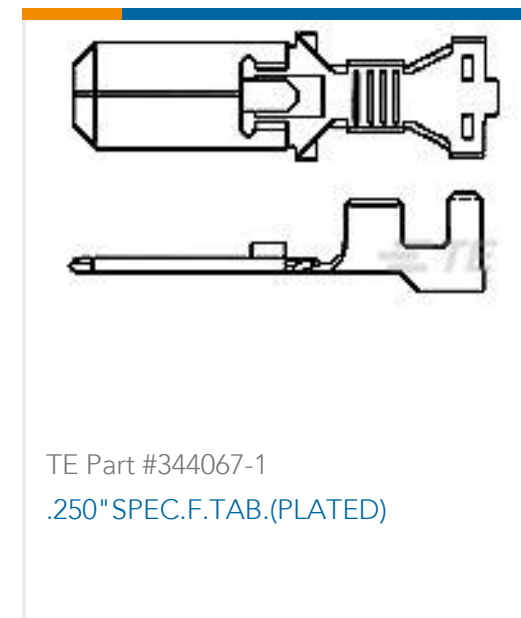
TE Part #1717106-1  
TH/.025 CONNECTOR SYSTEM, HOUSING



TE Part #1587826-2  
CABLE SEAL, SIZE B, HVA280-2PI



TE Part #1-968851-3  
AMP MCP 2.8, CONTACT



TE Part #344067-1  
.250" SPEC.F.TAB.(PLATED)



TE Part #4-2103177-2  
PLUG ASSY, KEY B, FA,CPA, HVA280-2PHI XE



TE Part #2013360-2  
0.50/1.0 SEALED WIRE COVER 140POS



TE Part #1-2236898-1  
5POS, MCON 1.2 LL REC SEALED



## Documents

### Product Drawings

[CABLE SEAL RTNR, SIZE A, HVA280-2PI XE](#)

English

---

### CAD Files

Customer View Model

[ENG\\_CVM\\_CVM\\_2103181-1\\_A.2d\\_dxf.zip](#)

English

3D PDF

3D

Customer View Model

[ENG\\_CVM\\_CVM\\_2103181-1\\_A.3d\\_igs.zip](#)

English

Customer View Model

[ENG\\_CVM\\_CVM\\_2103181-1\\_A.3d\\_stp.zip](#)

English

By downloading the CAD file I accept and agree to the [Terms and Conditions](#) of use.

---

### Product Specifications

[Application Specification](#)

English