



Surge suppressor (RC element) for 3RT1 S6, S10, S12 with screw terminal (drive) 400 ... 600 V AC

General technical data		
product brand name		SIRIUS
product designation		surge suppressor
design of the surge suppressor		with RC elements
Control circuit/ Control		
type of voltage of the control supply voltage		AC
control supply voltage frequency		
• 1 rated value	Hz	50
• 2 rated value	Hz	60
control supply voltage 1		
• at AC		
— at 50 Hz	V	400 ... 600
— at 60 Hz	V	600 ... 400

Certificates/ approvals		
General Product Approval	EMC	Declaration of Conformity



[Miscellaneous](#)



Test Certificates	Shipping Approval	other
-------------------	-------------------	-------

[Special Test Certificate](#)



[Confirmation](#)

[Miscellaneous](#)

Railway

[Special Test Certificate](#)

Further information

Information- and Downloadcenter (Catalogs, Brochures,...)

<https://www.siemens.com/ic10>

Industry Mall (Online ordering system)

<https://mall.industry.siemens.com/mall/en/en/Catalog/product?mlfb=3RT1956-1CF00>

Cax online generator

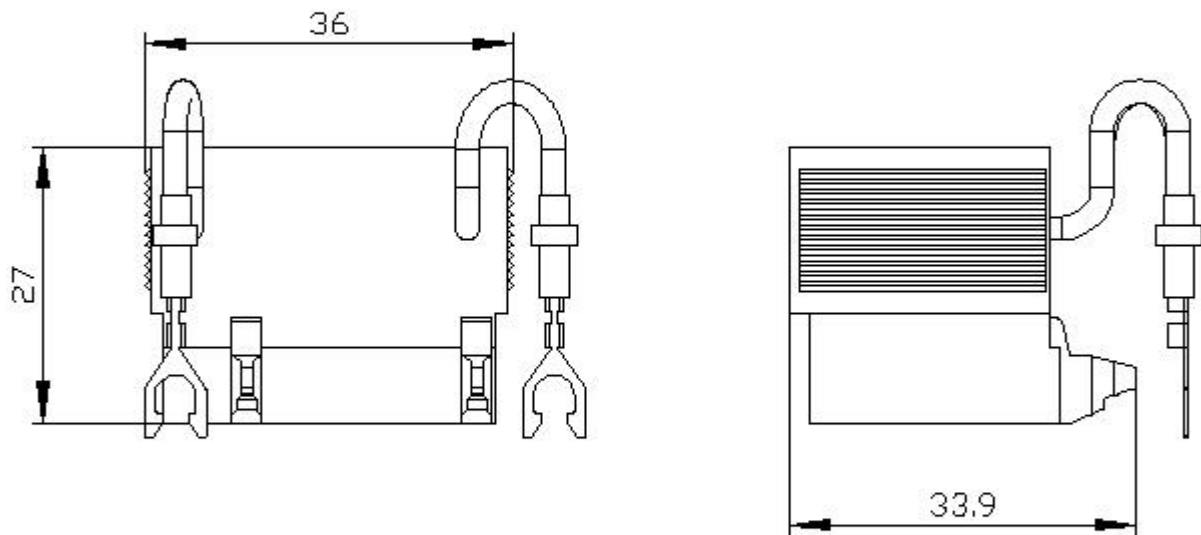
<http://support.automation.siemens.com/WW/CAXorder/default.aspx?lang=en&mlfb=3RT1956-1CF00>

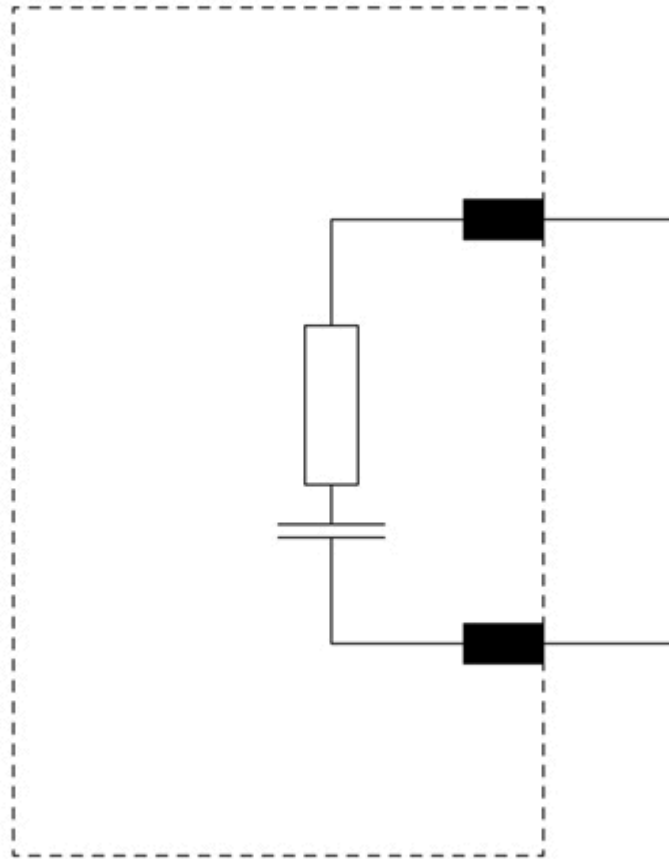
Service&Support (Manuals, Certificates, Characteristics, FAQs,...)

<https://support.industry.siemens.com/cs/ww/en/ps/3RT1956-1CF00>

Image database (product images, 2D dimension drawings, 3D models, device circuit diagrams, EPLAN macros, ...)

http://www.automation.siemens.com/bilddb/cax_de.aspx?mlfb=3RT1956-1CF00&lang=en





last modified:

11/18/2020 