

SAC-3P-M 8MS/0,3-PVC/M 8FR - Sensor/actuator cable



1415886

<https://www.phoenixcontact.com/us/products/1415886>

Please be informed that the data shown in this PDF document is generated from our online catalog. Please find the complete data in the user documentation. Our general terms of use for downloads are valid.



Sensor/actuator cable, 3-position, PVC, black RAL 9005, Plug straight M8, coding: A, on Socket angled M8, cable length: 0.3 m

Your advantages

- Easy and safe: 100 % electrically tested plug-in components

Commercial data

Item number	1415886
Packing unit	1 pc
Minimum order quantity	1 pc
Sales key	BF01
Product key	BF1BBA
Catalog page	Page 190 (C-2-2019)
GTIN	4055626054568
Weight per piece (including packing)	16.9 g
Weight per piece (excluding packing)	15.215 g
Customs tariff number	85444290
Country of origin	DE

SAC-3P-M 8MS/0,3-PVC/M 8FR - Sensor/actuator cable



1415886

<https://www.phoenixcontact.com/us/products/1415886>

Technical data

Product properties

Product type	Sensor/actuator cable
Application	Standard
Number of positions	3
No. of cable outlets	1
Shielded	no
Coding	A

Insulation characteristics

Overvoltage category	II
Degree of pollution	3

Material specifications

Flammability rating according to UL 94	HB
Seal material	NBR
Material of grip body	TPU, hardly inflammable, self-extinguishing
Contact material	CuSn
Contact surface material	Ni/Au
Contact carrier material	TPU GF
Material for screw connection	Zinc die-cast, nickel-plated

Electrical properties

Insulation resistance	$\geq 100 \text{ M}\Omega$
Nominal voltage U_N	48 V AC
	60 V DC
Nominal current I_N	4 A

Mechanical properties

Mechanical data

Insertion/withdrawal cycles	≥ 100
-----------------------------	------------

Signaling

Status display	No
Status display present	No

Connector

Connection 1

Type	Plug straight M8
Number of positions	3
Coding type	A

Connection 2

SAC-3P-M 8MS/0,3-PVC/M 8FR - Sensor/actuator cable

1415886

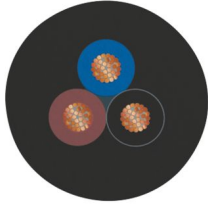
<https://www.phoenixcontact.com/us/products/1415886>

Type	Socket angled M8
Number of positions	3

Cable/line

Cable length	0.3 m
--------------	-------

PVC black [PVC]

Dimensional drawing	
Cable weight	29 kg/km
Number of positions	3
Shielded	no
Cable type	PVC black [PVC]
Conductor structure signal line	14x 0.15 mm
AWG signal line	24
Conductor cross section	3x 0.25 mm ² (Signal line)
Wire diameter incl. insulation	1.17 mm ±0.05 mm
External cable diameter	4.20 mm ±0.15 mm
Outer sheath, material	PVC
External sheath, color	black RAL 9005
Conductor material	Bare Cu litz wires
Material wire insulation	PVC
Single wire, color	brown, blue, black
Thickness, insulation	≥ 0.23 mm (Core insulation)
Thickness, outer sheath	≥ 0.76 mm
Overall twist	3 wires, twisted
Max. conductor resistance	max. 79 Ω/km (at 20 °C)
Insulation resistance	≥ 100 MΩ*km (at 20 °C)
Nominal voltage, cable	≥ 300 V
Test voltage	≤ 3000 V
Smallest bending radius, fixed installation	13 mm
Flame resistance	As per UL-Style 2464
Resistance to oil	EN 60811-2-1
Ambient temperature (operation)	-25 °C ... 80 °C (cable, fixed installation) -10 °C ... 80 °C (Cable, flexible installation)

Environmental and real-life conditions

Ambient conditions

SAC-3P-M 8MS/0,3-PVC/M 8FR - Sensor/actuator cable



1415886

<https://www.phoenixcontact.com/us/products/1415886>

Degree of protection	IP65
	IP67
	IP68
Ambient temperature (operation)	-25 °C ... 90 °C (Plug / socket)

Standards and regulations

M8

Standard designation	M8 connector
Standards/specifications	IEC 61076-2-104

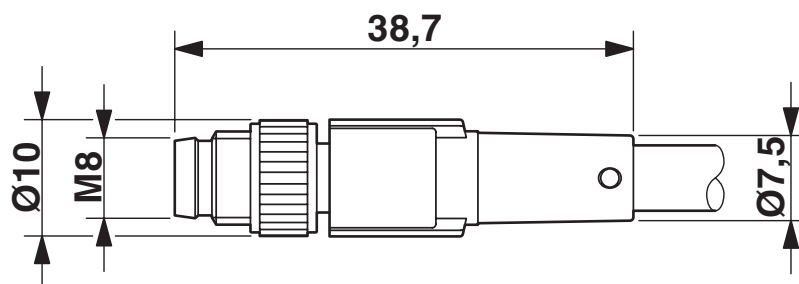
SAC-3P-M 8MS/0,3-PVC/M 8FR - Sensor/actuator cable

1415886

<https://www.phoenixcontact.com/us/products/1415886>

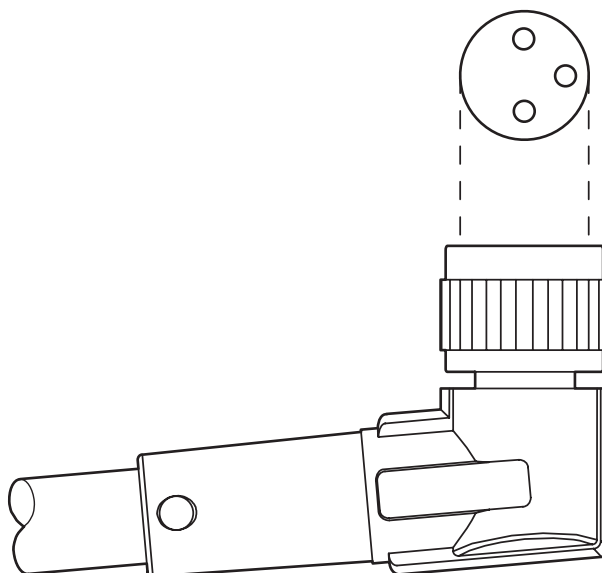
Drawings

Dimensional drawing



M8 x 1 male plug, straight version

Schematic diagram



Layout of connector pin assignments

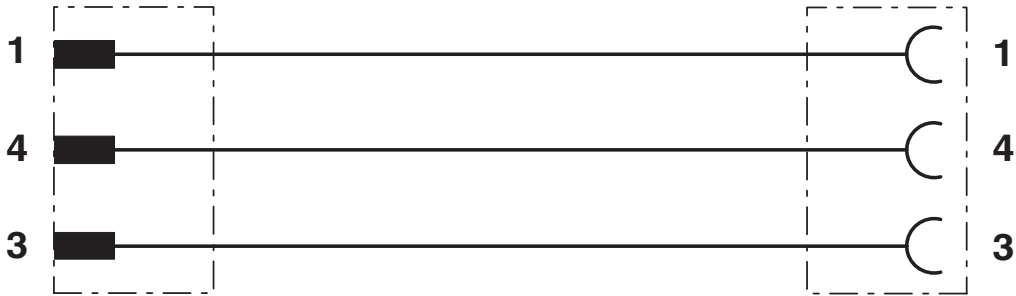
SAC-3P-M 8MS/0,3-PVC/M 8FR - Sensor/actuator cable



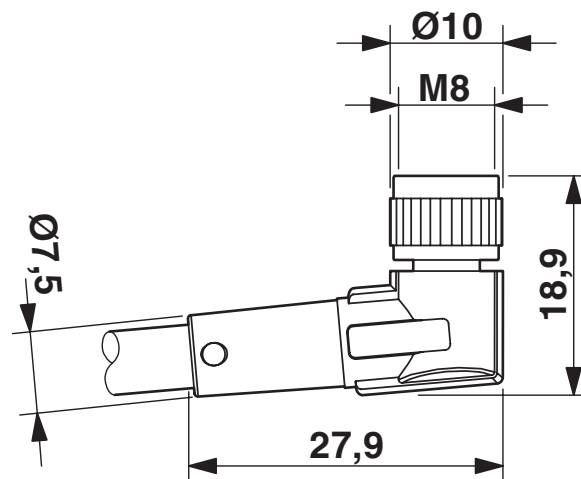
1415886

<https://www.phoenixcontact.com/us/products/1415886>

Circuit diagram



Dimensional drawing



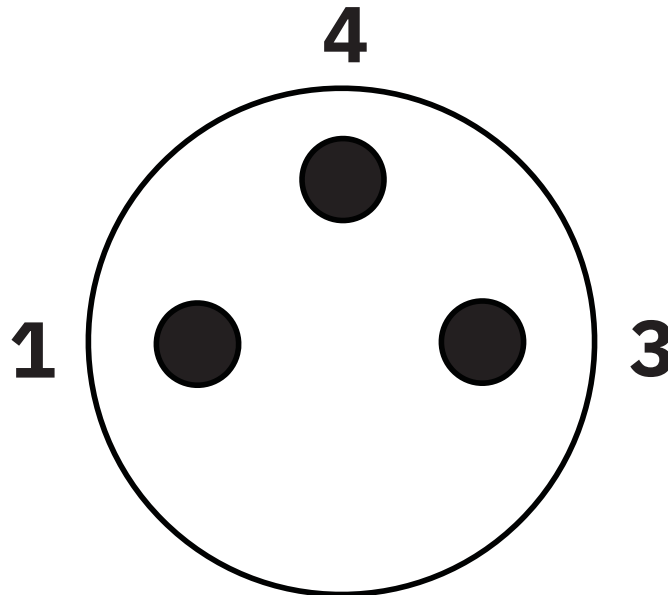
Socket M8 x 1, angled

SAC-3P-M 8MS/0,3-PVC/M 8FR - Sensor/actuator cable

1415886

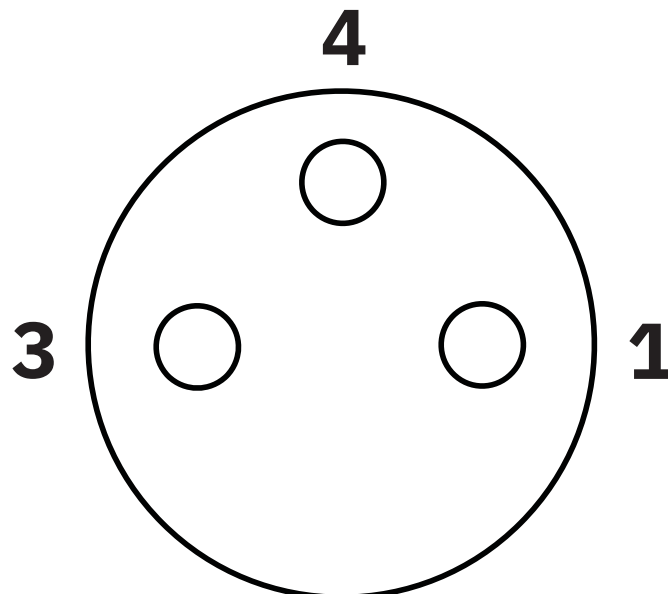
<https://www.phoenixcontact.com/us/products/1415886>

Schematic diagram



Pin assignment M8 plug, 3-pos., view male side

Schematic diagram



Pin assignment M8 socket, 3-pos., view female side

SAC-3P-M 8MS/0,3-PVC/M 8FR - Sensor/actuator cable





1415886


<https://www.phoenixcontact.com/us/products/1415886>

Approvals

To download certificates, visit the product detail page: <https://www.phoenixcontact.com/us/products/1415886>

 UL Listed Approval ID: FILE E 221474				
	Nominal voltage U_N	Nominal current I_N	Cross section AWG	Cross section mm^2
	60 V	4 A	-	-

 cUL Listed Approval ID: FILE E 221474				
	Nominal voltage U_N	Nominal current I_N	Cross section AWG	Cross section mm^2
	60 V	4 A	-	-

 EAC-RoHS Approval ID: RU D-DE.HB35.B.00387	
---	--

cULus Listed

SAC-3P-M 8MS/0,3-PVC/M 8FR - Sensor/actuator cable



1415886

<https://www.phoenixcontact.com/us/products/1415886>

Classifications

ECLASS

ECLASS-11.0	27060311
ECLASS-12.0	27060311
ECLASS-13.0	27060311

ETIM

ETIM 9.0	EC001855
----------	----------

UNSPSC

UNSPSC 21.0	26121600
-------------	----------

SAC-3P-M 8MS/0,3-PVC/M 8FR - Sensor/actuator cable



1415886

<https://www.phoenixcontact.com/us/products/1415886>

Environmental product compliance

EU RoHS

Fulfills EU RoHS substance requirements	Yes, No exemptions
---	--------------------

China RoHS

Environment friendly use period (EFUP)	EFUP-E
	No hazardous substances above the limits

EU REACH SVHC

REACH candidate substance (CAS No.)	No substance above 0.1 wt%
-------------------------------------	----------------------------

SAC-3P-M 8MS/0,3-PVC/M 8FR - Sensor/actuator cable



1415886

<https://www.phoenixcontact.com/us/products/1415886>

Accessories

PROT-M 8 FS-PA-CHAIN - Sealing cap

1430857

<https://www.phoenixcontact.com/us/products/1430857>

M8 sealing cap made of plastic with fixing band for sensor cables, for M8 plugs



UCT-WMT (23X4) - Conductor marker

0801453

<https://www.phoenixcontact.com/us/products/0801453>

Conductor marker, Sheet, white, unlabeled, can be labeled with: TOPMARK NEO, TOPMARK LASER, BLUEMARK ID COLOR, BLUEMARK ID, BLUEMARK CLED, THERMOMARK PRIME, THERMOMARK CARD 2.0, THERMOMARK CARD, mounting type: insert, cable diameter range: 1.5 ... 35 mm, lettering field size: 23 x 4 mm, Number of individual labels: 30



SAC-3P-M 8MS/0,3-PVC/M 8FR - Sensor/actuator cable



1415886

<https://www.phoenixcontact.com/us/products/1415886>

UC-WMT (23X4) - Conductor marker

0819411

<https://www.phoenixcontact.com/us/products/0819411>



Conductor marker, Sheet, white, unlabeled, can be labeled with: BLUEMARK ID COLOR, BLUEMARK ID, BLUEMARK CLED, PLOTMARK, CMS-P1-PLOTTER, mounting type: insert, cable diameter range: 1.5 ... 35 mm, lettering field size: 23 x 4 mm, Number of individual labels: 24

US-WMT (23X4) - Cable marker

0828769

<https://www.phoenixcontact.com/us/products/0828769>



Cable marker, Card, white, unlabeled, can be labeled with: BLUEMARK ID COLOR, BLUEMARK ID, THERMOMARK PRIME, THERMOMARK CARD 2.0, THERMOMARK CARD, mounting type: slide-on, cable diameter range: 1.5 ... 35 mm, lettering field size: 23 x 4 mm, Number of individual labels: 56

SAC-3P-M 8MS/0,3-PVC/M 8FR - Sensor/actuator cable



1415886

<https://www.phoenixcontact.com/us/products/1415886>

WMTW (23X4)R - Cable marker

0831004

<https://www.phoenixcontact.com/us/products/0831004>



Cable marker, Roll, white, unlabeled, can be labeled with: THERMOMARK E.300 (D)/600 (D), THERMOMARK ROLL 2.0, THERMOMARK ROLL, THERMOMARK ROLL X1, THERMOMARK ROLLMASTER 300/600, THERMOMARK X1.2, mounting type: insert, cable diameter range: 1.5 ... 35 mm, lettering field size: 23 x 4 mm, Number of individual labels: 3000

PROT-M 8 MS-PA-CHAIN - Screw plug

1430860

<https://www.phoenixcontact.com/us/products/1430860>

M8 sealing cap made of plastic with fixing band for sensor cables, for M8 sockets



SAC-3P-M 8MS/0,3-PVC/M 8FR - Sensor/actuator cable

1415886

<https://www.phoenixcontact.com/us/products/1415886>

TSD 02 SAC - Torque screwdriver

1208487

<https://www.phoenixcontact.com/us/products/1208487>



Torque screwdriver, with preset torque of 0.2 Nm and 4 mm hexagonal drive for M8 connectors

SAC BIT M8-D10 - Tool

1208461

<https://www.phoenixcontact.com/us/products/1208461>



Nut for assembling M8 connectors with longitudinal knurl and a knurl diameter of 10 mm, for 4 mm hexagonal drive

SAC-3P-M 8MS/0,3-PVC/M 8FR - Sensor/actuator cable



1415886

<https://www.phoenixcontact.com/us/products/1415886>

B-STIFT - Marker pen

1051993

<https://www.phoenixcontact.com/us/products/1051993>



Marker pen, for manual labeling of unprinted Zack strips, smear-proof and waterproof, line thickness 0.5 mm

Phoenix Contact 2024 © - all rights reserved

<https://www.phoenixcontact.com>

Phoenix Contact USA
586 Fulling Mill Road
Middletown, PA 17057, United States
(+717) 944-1300
info@phoenixcon.com