

Polycarbonate Enclosed Motor Disconnect Switch



Altech Corp.®

FUSED

- Can be used locally at the motor
- UL Type 4X
- IEC IP65 Protection Level
- UV resistant
- Resistant to many chemicals
- Lockable - Defeatable Handle



All Models are lockable with up to 3 padlocks.

Catalog Number

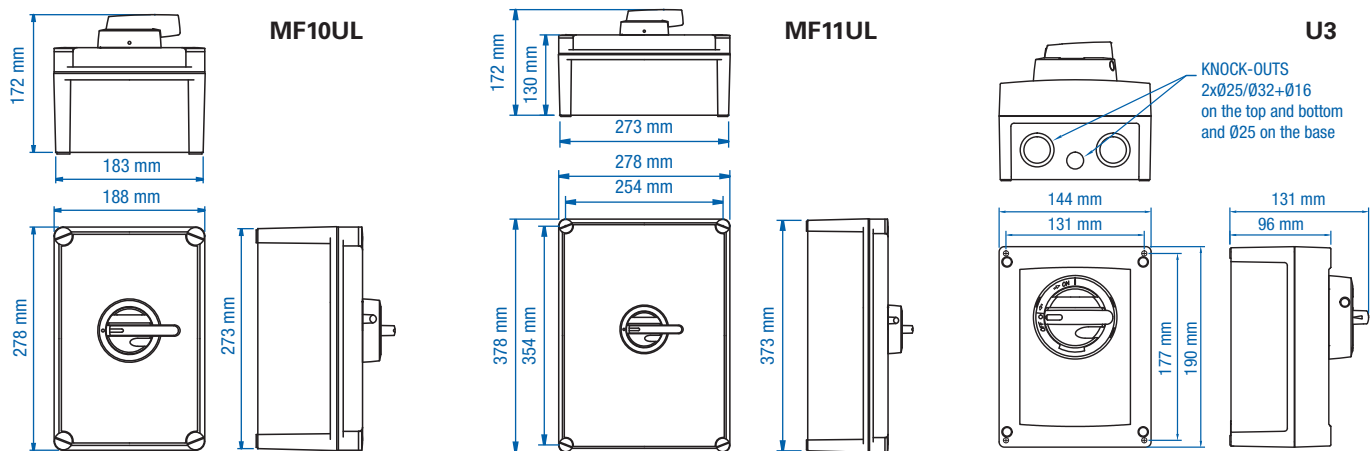
Black Handle	KEM380UL	KEM3100L	KEM3125L	KEM3150L	KKVM332, KKVM332CC
Yellow/Red Handle	KEM380UL Y/R	KEM3100L Y/R	KEM3125L Y/R	KEM3150L Y/R	KKVM332 Y/R, KKVM332CC Y/R
No. of Poles	3 (4 pole - KEM480UL (Y/R))	3 (4 pole - KEM4100L (Y/R))	3 (4 pole - KEM4125L (Y/R))	3 (4 pole - KEM4150L (Y/R))	3
General Purpose Current	80 A	100 A	125 A	150 A	30 A
Maximum Voltage	600V AC	600V AC	600V AC	600V AC	600V AC
Motor FLA @ 480V AC	-	-	-	-	-
Motor FLA @ 600V AC	47 A	54 A	68 A	83 A	-

Horsepower Rating/HP	1 Phase	3 Phase	1 Phase	3 Phase	1 Phase	3 Phase	1 Phase	3 Phase	Cat. No. KKVM 332 (Y/R) Fuse Type: 10x38, Midget KKVM 332CC (Y/R) Fuse Type: Class CC
110-120V AC	3	7.5	3	7.5	5	10	7.5	10	
200V AC	7.5	10	7.5	15	10	20	10	25	
208V AC	7.5	15	7.5	15	10	20	10	25	
220-240V AC	7.5	15	10	20	15	25	15	30	
265V AC	10	20	10	20	15	25	20	30	
277V AC	10	20	10	20	15	30	20	30	
380-415V AC	15	25	15	30	20	40	25	50	
440-480V AC	20	30	20	40	30	50	30	60	
550-600V AC	25	40	30	50	30	60	40	75	

Short Circuit Withstand Rating at 600 V with Max. Fuse Size/Class:	10 kA	10 kA	10 kA	10 kA	10 kA
K5	150 A	150 A	150 A	150 A	50 A
RK5	150 A	150 A	150 A	150 A	50 A
RK1	-	-	-	-	80 A
J	200 A	200 A	200 A	200 A	80 A

Terminal Size	8-1/0 AWG	8-1/0 AWG	8-1/0 AWG	8-1/0 AWG	14-8 AWG
Acceptability (Cu Conductors only, 75 °C)					
Terminal Torque	50 lb. in. (5.6 Nm)	50 lb. in. (5.6 Nm)	50 lb. in. (5.6 Nm)	50 lb. in. (5.6 Nm)	16 lb. in. (1.8 Nm)
Screw Head Type	5 mm Allen Key	5 mm Allen Key	5 mm Allen Key	5 mm Allen Key	No. 2 Pozidrive
Environmental Rating	UL Type 4X	UL Type 4X	UL Type 4X	UL Type 4X	UL Type 4X
Enclosure Type Used	U3	MF10	MF10	MF11UL	U3

Dimensions



Weight	1.021 kg (2.249 lb.)	1.9051 kg (4.2 lb.)	1.9051 kg (4.2 lb.)	2.8351 kg (6.25 lb.)	0.998 kg (2.2 lb.)
---------------	----------------------	---------------------	---------------------	----------------------	--------------------

Suitable Accessories

Auxiliary Contacts	VKA1.V, VKA2.V	VKA1.V, VKA2.V	VKA1.V, VKA2.V	VKA1.V, VKA2.V	KU1.V, KU2.V
---------------------------	----------------	----------------	----------------	----------------	--------------