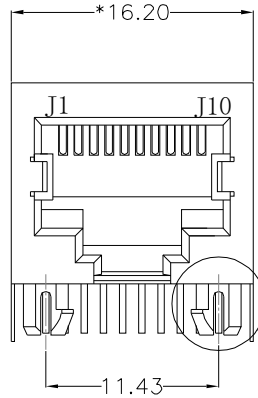
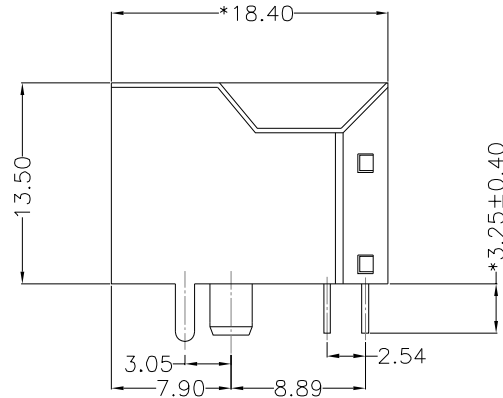


ÜÖÖP/ÄÜJ PÜ  
ÄÖUT ÚŠÖE-V

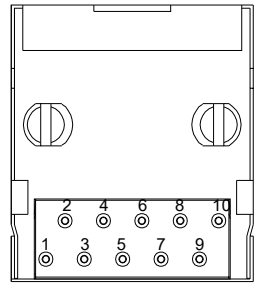
|      |                |       |            |
|------|----------------|-------|------------|
| ÜÖXE | ÖÖP/ÄÖÖÜÖÜÖVÖP | ÖY    | ÖÖE/Ö      |
| A0   | NEW            | X.YAN | 2016.10.19 |



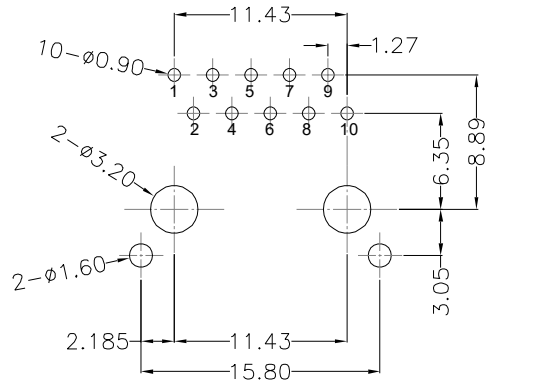
FRONT VIEW



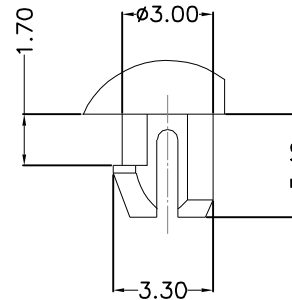
RIGHT SIDE VIEW



BOTTOM VIEW



RECOMMENDED PCB LAYOUT  
VIEWED FROM COMPONENT SIDE



A(2:1)

**MATERIAL:**

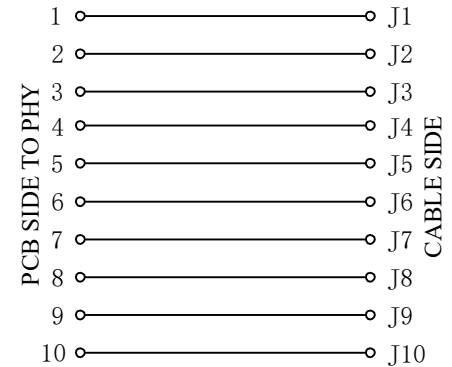
HOUSING: PBT,UL94V-0,BLACK.  
TERMINAL: PHOSPHOR BRONZE Ø=0.46MM,  
G/FU" GOLD PLATING ON CONTACT AREA.  
SHIELD: C2680,T=0.20MM,20 MIN NICKEL PLATING  
ON ALL AREA.

**MACHANICAL:**

DURABILITY: 750 CYCLES MIN,12.5MM/MINUTE.  
INSERTION FORCE: 2.2KG.F MAX.  
RETENTION STRENGTH : 7.7KG.F BETWEEN JACK AND PLUG.  
OPERATING TEMPERATURE: -40°C~+85°C.  
STORAGE TEMPERATURE: -40°C~+85°C.  
ALL CRITICAL DIMENSIONS WITH "\*"

**ELECTRICAL:**

VOLTAGE: 125 VOLTS AC.  
CURRENT RATING : 1.5AMP.  
DIELECTRIC STRENGTH: 1000 VAC RMS 50HZ OR 60HZ,1MIN.  
INSULATION RESISTANCE: 500 MEGA OHMS MIN. INITIAL  
AFTER 500V DC FOR 1 MINUTE.  
CONTACT RESISTANCE: SINGLE TERMINAL 30 MILLIOHMS MAX.  
INITIAL 50 MILLIOHMS MAX. AFTER  
DURABILITY TEST.



**CND-tek**

磁联达

深圳磁联达电子有限公司  
Shenzhen magnetic Lianda Electronics Co., LTD

Address: 505, West Block, No. 221, Niucheng Road, Niucheng Village, Baiwang  
Community, Xili Street, Nanshan District, Shenzhen  
E-mail: sales1@cd-tek.com 0755-27652992 29016433 Website:www.cd-tek.com

VÖŠÖK  
5621 1X1 10P10C EMI

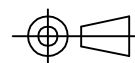
ÜÖÜVÄPÜK  
R111010ER56

ÜÖT ÖÜSK

ÜÖÖ  
ÖE

ÜÖÖSÖ  
FKF

ÜPÖÖV  
FB



ÖÖP/ÖÜÖSÄVUSÖÜÖP/ÖÖÜ  
WÖSÖÜÄÜÜÖÖÖÖ

ÖÖH  
ÖÖE

ÖÖG  
ÖÖE

ÖÜÜÜXÖÖÖYK  
QG.CHEN

ÖPÖÖSÖÖYK  
SL.WANG

ÖÖÜPÖÖYK  
X.YAN