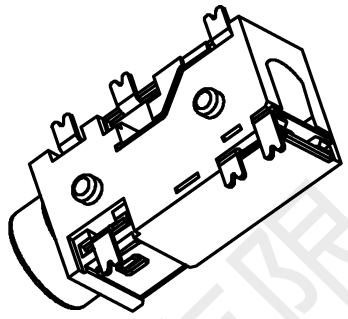
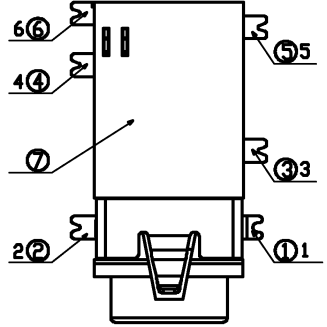
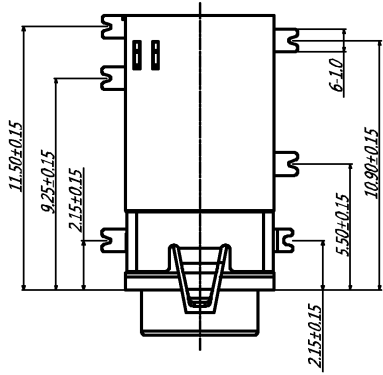
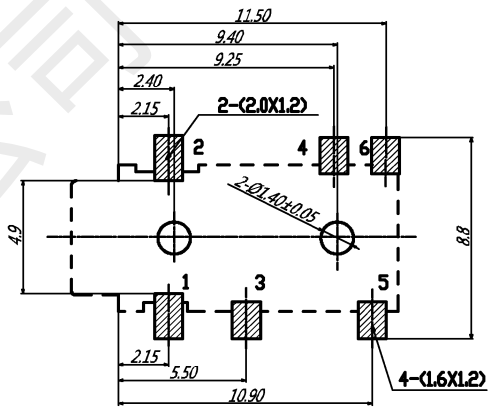


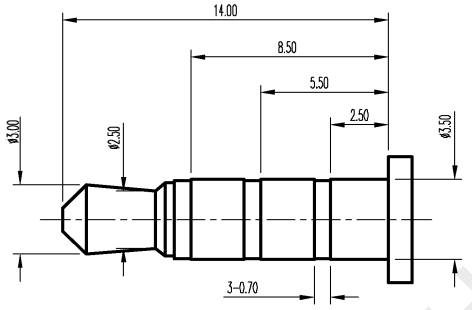
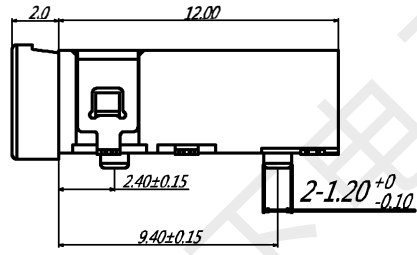
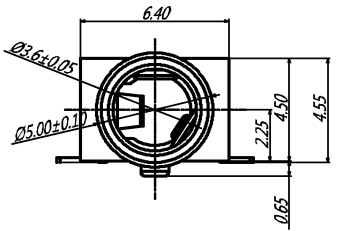
REV.			REVISIONS		DATE	DESIGN	CHECKED	APPROVED
REV.	ECN NO.	LOCATION	DESCRIPTION					



3D VIEW



PCB LAYOUT TOP VIEW

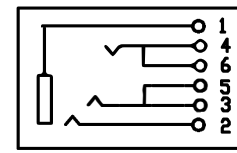


(Ø3.50mm 4 POLE PLUG DETAIL DRAWING)

NOTES:

- CONTACT CURRENT RATING: 1A.
- CONTACT RESISTANCE: 50 mΩ MAX.;
- INSULATION RESISTANCE: 100MΩ MIN.;
- DIELECTRIC WITHSTANDING: 500V AC MIN.;
- DURABILITY: 5,000 CYCLES MIN.;
- CONNECTOR MATING FORCES: 29.4N (3.00KgF) MAX.;
- CONNECTOR UNMATING FORCES: 2.94N(0.30KgF) MIN.;
- PRODUCT MEET THE REQUEST OF THE RoHs, SEE TABLE A:

MATTER	RoHs (PPM)
Cd	≤ 100
Pb	≤ 1000
Hg	≤ 1000
Cr6+	≤ 1000
PBB	≤ 1000
PBDE	≤ 1000



SCHEMATIC

ITEM	PART NAME	Q'TY	MATERIAL	DESCRIPTION	REMARK
⑦	HOUSING	1	LCP		Block
⑥	CONTACT F	1	SUS301 0.20T	Au-Plated	
⑤	CONTACT E	1	SUS301 0.20T	Au-Plated	
④	CONTACT D	1	SUS301 0.20T	Au-Plated	
③	CONTACT C	1	SUS301 0.20T	Au-Plated	
②	CONTACT B	1	SUS301 0.20T	Au-Plated	
①	CONTACT A	1	SUS301 0.20T	Au-Plated	

MEASURE POINT:
 QUADRANT POINT (QP)
 TANGENCY POINT (TP)
 INTERSECTION POINT (IP)
 UNLESS OTHERWISE SPECIFIED, TOLERANCE:
 X. ±0.25
 X.x ±0.20
 X.xx ±0.15
 X.xxx ±0.10
 ANGULAR ±3°

韩下 HANXIA 深圳市韩下电子有限公司

DESIGN 黄彬	DATE 2020.6.17	TITLE: PHONE JACK
CHECKED 张伟	DATE 2020.6.17	CUSTOMER DRAWING
APPROVED 罗小春	DATE 2020.6.17	
PART NO. HX PJ-342	REV.: A	SCALE: 1:1 UNIT: mm
DRAWING NO.	SIZE: A4	SHEET: 1/1