

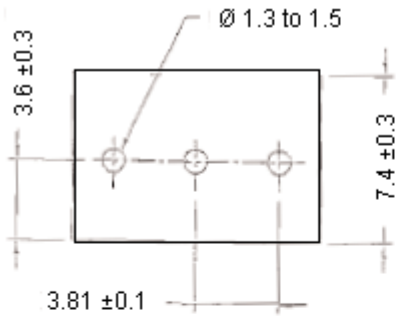


PART NO.

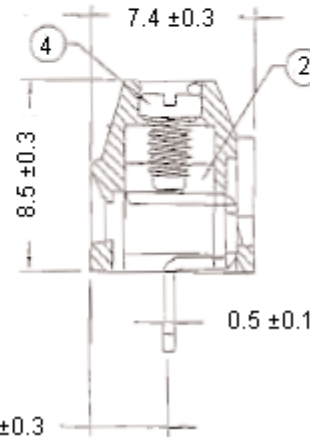
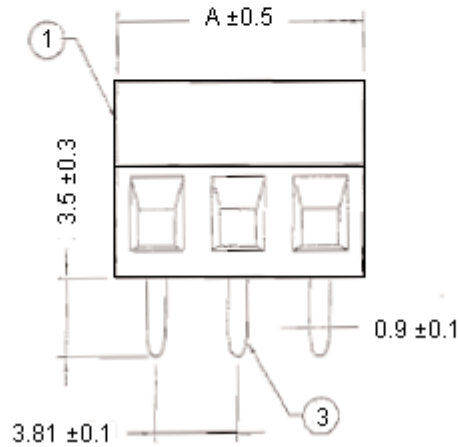
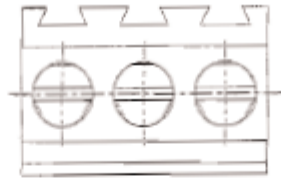
MC0000 - Series

REVISIONS

ECN #	REV	DESCRIPTION	DRAWN	DATE	CHECKD	DATE	APPRVD	DATE
-	A	RELEASED	Shashi	13/10/11	Veena	13/10/11		27/10/11



PCB Layout



Dimensions : Millimetres



Specifications:

Rating current	: 10 amperes, 300 V ac
Minimum insulation withstand voltage	: 2,000 V ac
Insulation resistance	: > 2,000 MΩ 500 V dc
Operating temperature	: -55°C to +105°C
Wire strip length	: 4 to 5 mm
Wire range	: 16 to 26 AWG
Screw torque	: 2 lb-inch

**Important Notice :** This data sheet and its contents (the "Information") belong to the members of the Premier Farnell group of companies (the "Group") or are licensed to it. No licence is granted for the use of it other than for information purposes in connection with the products to which it relates. No licence of any intellectual property rights is granted. The Information is subject to change without notice and replaces all data sheets previously supplied. The Information supplied is believed to be accurate but the Group assumes no responsibility for its accuracy or completeness, any error in or omission from it or for any use made of it. Users of this data sheet should check for themselves the information and the suitability of the products for their purpose and not make any assumptions based on information included or omitted. Liability for loss or damage resulting from any reliance on the Information or use of it (including liability resulting from negligence or where the Group was aware of the possibility of such loss or damage arising) is excluded. This will not operate to limit or restrict the Group's liability for death or personal injury resulting from its negligence. Multicomp is the registered trademark of the Group. © Premier Farnell plc 2011.

**TOLERANCES:**  
UNLESS OTHERWISE SPECIFIED, DIMENSIONS ARE FOR REFERENCE PURPOSES ONLY.

<b>DRAWN BY:</b>	<b>DATE:</b>
Shashi	13/10/11
<b>CHECKED BY:</b>	<b>DATE:</b>
Veena	13/10/11
<b>APPROVED BY:</b>	<b>DATE:</b>
	27/10/11

<b>DRAWING TITLE:</b>			
<b>3.81 mm Screw PCB Terminal - Single Mold</b>			
<b>SIZE</b>	<b>DWG NO.</b>	<b>ELECTRONIC FILE</b>	<b>REV</b>
A	M10002764	MB332-381Axx_DWG	A
<b>SCALE: NTS</b>		<b>U.O.M.: mm (Inches)</b>	<b>SHEET: 1 OF 2</b>



PART NO.

MC0000 - Series

REVISIONS

ECN #	REV	DESCRIPTION	DRAWN	DATE	CHECKD	DATE	APPRVD	DATE
-	A	RELEASED	Shashi	13/10/11	Veena	13/10/11		27/10/11

Specification Table

Item No	Material	Plating / Finish	Remark
1	Insulating Body Polyamide 66	-	Green
2	Cage Clamp	Ni Plated	-
3	Terminal	Tin Plated	-
4	Screw	Steel Ni Plated	-

Dimensions Table

Pitch : 3.81 mm (0.15 inch)		
Poles	A (mm)	A (Inch)
2	7.62	0.3
3	11.43	0.45
4	15.24	0.6
5	19.05	0.75
6	22.86	0.9
8	30.48	1.2
10	38.1	1.5
12	45.72	1.8

Part Number Table

Description	Part Number
Terminal Black PCB 3.81 mm Screw 02 Way	MC000018
Terminal Black PCB 3.81 mm Screw 03 Way	MC000019
Terminal Black PCB 3.81 mm Screw 04 Way	MC000020
Terminal Black PCB 3.81 mm Screw 05 Way	MC000021
Terminal Black PCB 3.81 mm Screw 06 Way	MC000022
Terminal Black PCB 3.81 mm Screw 08 Way	MC000023
Terminal Black PCB 3.81 mm Screw 10 Way	MC000024
Terminal Black PCB 3.81 mm Screw 12 Way	MC000025

www.element14.com  
www.farnell.com  
www.newark.com

**Important Notice :** This data sheet and its contents (the "Information") belong to the members of the Premier Farnell group of companies (the "Group") or are licensed to it. No licence is granted for the use of it other than for information purposes in connection with the products to which it relates. No licence of any intellectual property rights is granted. The Information is subject to change without notice and replaces all data sheets previously supplied. The Information supplied is believed to be accurate but the Group assumes no responsibility for its accuracy or completeness, any error in or omission from it or for any use made of it. Users of this data sheet should check for themselves the information and the suitability of the products for their purpose and not make any assumptions based on information included or omitted. Liability for loss or damage resulting from any reliance on the Information or use of it (including liability resulting from negligence or where the Group was aware of the possibility of such loss or damage arising) is excluded. This will not operate to limit or restrict the Group's liability for death or personal injury resulting from its negligence. Multicomp is the registered trademark of the Group. © Premier Farnell plc 2011.

<b>TOLERANCES:</b>  <b>UNLESS OTHERWISE SPECIFIED, DIMENSIONS ARE FOR REFERENCE PURPOSES ONLY.</b>	<b>DRAWN BY:</b>	<b>DATE:</b>	<b>DRAWING TITLE:</b>  <b>3.81 mm Screw PCB Terminal - Single Mold</b>			
	Shashi	13/10/11				
	<b>CHECKED BY:</b>	<b>DATE:</b>	<b>SIZE</b> <b>A</b>	<b>DWG NO.</b>  <b>M10002764</b>	<b>ELECTRONIC FILE</b> <b>MB332-381Axx_DWG</b>	<b>REV</b> <b>A</b>
	Veena	13/10/11				
	<b>APPROVED BY:</b>	<b>DATE:</b>	<b>SCALE: NTS</b>		<b>U.O.M.: mm (Inches)</b>	
	27/10/11					