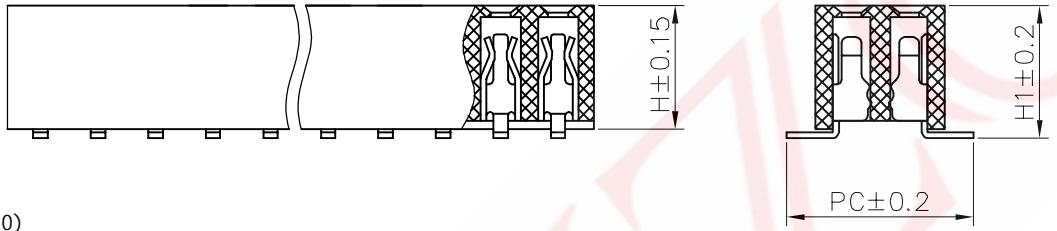


SAMZO REAC/ROHS

REV	ECN NO	DESCRIPTION	DESIGN	APPROVAL	DATE
A1	NEW	Replace frame			2013.06.21

SPECIFICATIONS

Current Rating: 1.5 Amps
 Insulation Resistance: 1000M Ω Min
 Contact Resistance: 20mΩ Max
 Withstanding Voltage: AC 500V
 Operation Temperature: -40° to+105°
 Contact Material: Brass
 Standard: PA6T
 Insulator Material: Polyester(UL 94V-0)
 Contact Plating: Gold Flash
 Max.Processing Temp: 240° C for30-60seconds
 (260° C for5seconds)

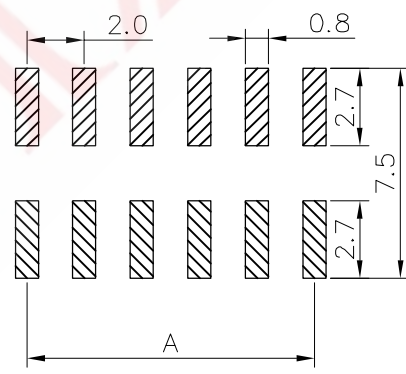
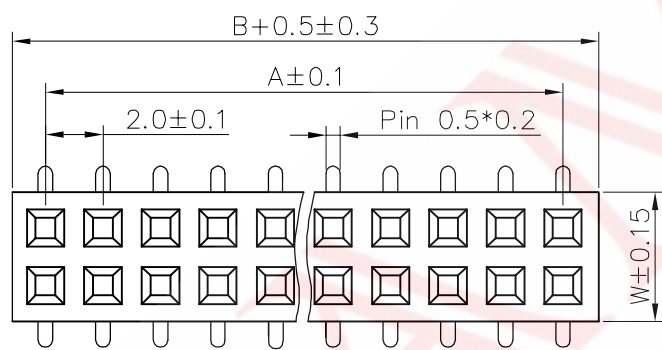


Options	PC	H	H1	W
Standard	6.2	4.3	4.6	4.5
Specified				

No. of Contacts	DIMENSIONS		No. of Contacts	DIMENSIONS	
	A	B		A	B
1	0.00	2.00	21	40.00	42.00
2	2.00	4.00	22	42.00	44.00
3	4.00	6.00	23	44.00	46.00
4	6.00	8.00	24	46.00	48.00
5	8.00	10.00	25	48.00	50.00
6	10.00	12.00	26	50.00	52.00
7	12.00	14.00	27	52.00	54.00
8	14.00	16.00	28	54.00	56.00
9	16.00	18.00	29	56.00	58.00
10	18.00	20.00	30	58.00	60.00
11	20.00	22.00	31	60.00	62.00
12	22.00	24.00	32	62.00	64.00
13	24.00	26.00	33	64.00	66.00
14	26.00	28.00	34	66.00	68.00
15	28.00	30.00	35	68.00	70.00
16	30.00	32.00	36	70.00	72.00
17	32.00	34.00	37	72.00	74.00
18	34.00	36.00	38	74.00	76.00
19	36.00	38.00	39	76.00	78.00
20	38.00	40.00	40	78.00	80.00

Code Description

- A. 名称: 5B-排母
 - B. 间距: K-2.0mm
 - C. 方式: E-180° SMT
 - D. 塑高(H): 6-4.3mm
 - E. 总长(L): 46-4.6mm
 - F. 板针款(PC): 62-6.2mm
 - G. 针数: 202-2*2P(2-40PIN)
 - H. 定位: W-无定位
 - I. 物料编码: 0-常规
- 5B K E 6 - 46 62 - 2** - W 0
A B C D E F G H I



RECOMMEND P. C. B LAYOUT
 PCB TOLERANCE: ±0.05 (TOP VIEW)

ITEM	DESCRIPTION	MATERIAL	QTY	FINISH/COLOR	DESIGN	DATE	GENERAL TOLERANCE
1	针	黄铜	N	镀金	WANGGUIFA	2018.06.12	≥0~2< ±0.15
2	主体	PA6T	1	黑色	ZHENGUILAN	2018.06.12	≥2~5< ±0.25
					LILIANJIANG	2018.06.14	≥0~2< ±0.15
							≥5 ±0.35

FIRST VIEW

SCALE: 1:1 UNIT: mm

SAMZO COMPONENTS
 Electronic switch and connector manufacturer

The copyright belongs to samzo parts [China] Co., Ltd. please use the material after samzo parts agree to authorize. The final right of interpretation belongs to samzo parts.
 WWW.KKK-JP.COM

TITLE: 2.0PF 2*NP H4.3 PC6.2 180°SMT

DWG NO: 5BKE6-P466201

PART NO: 5BKE6181015

MODEL NO: 5BKE6-4662-2NP-W0

NAME: PIN-F CONNECTOR