

番号 NO.	部品 PART	材質 MATERIAL
①	ウェハー WAFER	46ナイロン UL94V-0 色:自然色 46 NYLON, UL94V-0, COLOR:NATURAL
②	ソルダーピン SOLDER PIN	りん青銅 PHOSPHOR BRONZE 錫メッキ: 1.0μmMIN. TIN ニッケルメッキ(下地): 1.0μmMIN. NICKEL(UNDER PLATING)
③	ネイル NAIL	りん青銅 PHOSPHOR BRONZE 錫メッキ: 1.0μmMIN. TIN ニッケルメッキ(下地): 1.0μmMIN. NICKEL(UNDER PLATING)
④	カバーテープ COVER TAPE	ポリイミドテープ POLYIMIDE TAPE

- NOTES.
1. 嵌合相手: 501330-****
MATE WITH: 501330-****
 2. ソルダーピン及びネイル平坦度は、0.1MAX.
SOLDER PIN AND NAIL COPLANARITY TO BE 0.1MAX.
 - △ 極数=偶数に適用
APPLY FOR CKT SIZE=EVEN
 4. 6~15極については、SD-501331-002を参照下さい。
REFER TO SD-501331-002 ABOUT 6-15CKT.
 5. ELV及びRoHS適合品。
ELV AND RoHS COMPLIANT.

※対応可能な極数は、別途お問い合わせ下さい。

4.0	7.0	501331-0507	5	501331-**07
3.0	6.0	501331-0407	4	
2.0	5.0	501331-0307	3	
1.0	4.0	501331-0207	2	
B	A	MATERIAL NO.	CKT.	

REVISED EC NO.: J2014-1558 DRWN:RHORI 2014/04/15 CHKD:KASAKAWA 2014/04/15 APPR:NUKITA 2014/04/16	GENERAL TOLERANCES (UNLESS SPECIFIED)		DIMENSION STYLE MM ONLY		SCALE 10:1	DESIGN UNITS METRIC	THIRD ANGLE PROJECTION
	10 UNDER	±0.2	DRAWN BY NYOSHIDA	DATE 2004/07/30	TITLE 1.0 WIRE TO BOARD CONN. WAFER ASS'Y (1-ROW S/T) 2-5CKT		
	10 OVER 30 UNDER	±0.25	CHECKED BY MYAGI	DATE 2004/07/30			
	30 OVER	±0.3	APPROVED BY MIYAZAWA	DATE 2004/07/30			
	ANGULAR	±3 °	MATERIAL NO.	DOCUMENT NO.	SEE TABLE	SD-501331-001	SHEET NO. 1 OF 2
DRAFT WHERE APPLICABLE MUST REMAIN WITHIN DIMENSIONS		SIZE A3	THIS DRAWING CONTAINS INFORMATION THAT IS PROPRIETARY TO MOLEX INCORPORATED AND SHOULD NOT BE USED WITHOUT WRITTEN PERMISSION				

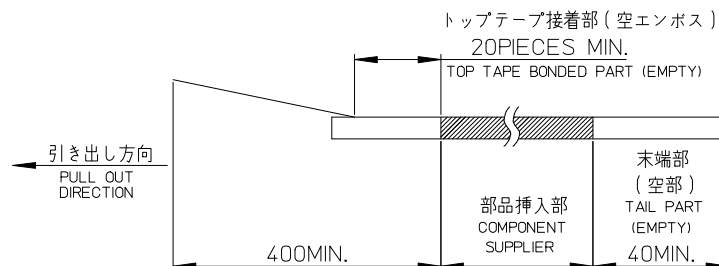
紫 VIOLET	橙 ORANGE	茶 BROWN	緑 GREEN	青 BLUE	黄 YELLOW	赤 RED	色 COLOR	
501331-0597	501331-0587	501331-0577	501331-0567	501331-0547	501331-0537	501331-0527	5	501331-***7
501331-0497	501331-0487	501331-0477	501331-0467	501331-0447	501331-0437	501331-0427	4	
501331-0397	501331-0387	501331-0377	501331-0367	501331-0347	501331-0337	501331-0327	3	
501331-0297	501331-0287	501331-0277	501331-0267	501331-0247	501331-0237	501331-0227	2	
PLASTIG BAG PACKAGE オーダー番号 ORDER NO.	PLASTIG BAG PACKAGE オーダー番号 ORDER NO.	PLASTIG BAG PACKAGE オーダー番号 ORDER NO.	PLASTIG BAG PACKAGE オーダー番号 ORDER NO.	PLASTIG BAG PACKAGE オーダー番号 ORDER NO.	PLASTIG BAG PACKAGE オーダー番号 ORDER NO.	PLASTIG BAG PACKAGE オーダー番号 ORDER NO.	PKT.	CONNECTOR SERIES NO.

白 WHITE		色 COLOR	
501331-0507	5	501331-**07	CONNECTOR SERIES NO.
501331-0407	4		
501331-0307	3		
501331-0207	2		
PLASTIG BAG PACKAGE オーダー番号 ORDER NO.	PKT.	CONNECTOR SERIES NO.	

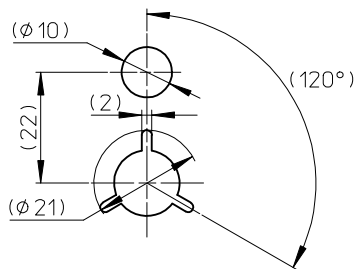
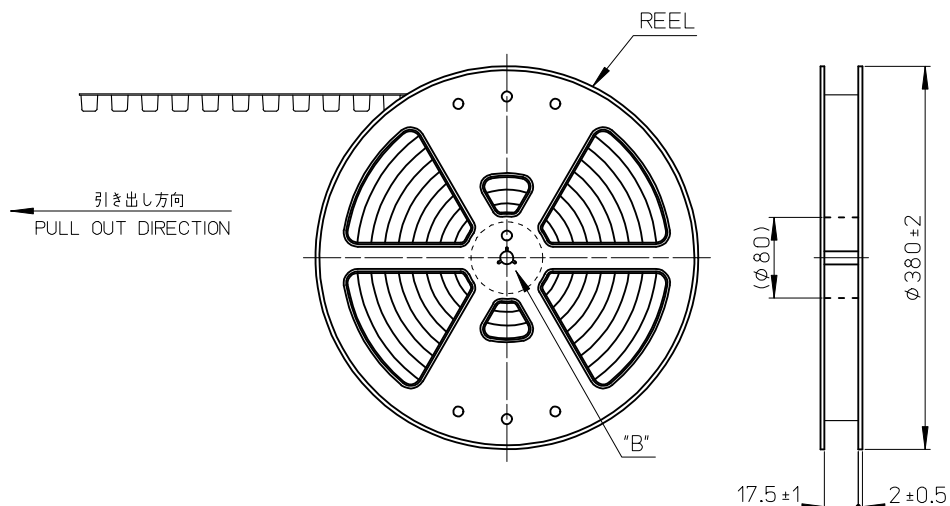
REVISED EC NO: J2014-1558 DRW: RHORI 2014/04/15 CHKD: KASAKAWA 2014/04/15 APPR: NUKITA 2014/04/16	GENERAL TOLERANCES (UNLESS SPECIFIED)		DIMENSION STYLE MM ONLY		SCALE 10:1	DESIGN UNITS METRIC	THIRD ANGLE PROJECTION		
	10 UNDER	±0.2	DRAWN BY RHORI		DATE 2014/04/15		TITLE 1.0 WIRE TO BOARD CONN. WAFER ASS'Y (1-ROW S/T) 2-5CKT molex		
	10 OVER 30 UNDER	±0.25	CHECKED BY KASAKAWA		DATE 2014/04/15				
	30 OVER	±0.3	APPROVED BY NUKITA		DATE 2014/04/16				
	ANGULAR ±3 °		MATERIAL NO.		DOCUMENT NO.		SHEET NO.		
DRAFT WHERE APPLICABLE MUST REMAIN WITHIN DIMENSIONS		SEE TABLE		SD-501331-001		2 OF 2			
		SIZE A3		THIS DRAWING CONTAINS INFORMATION THAT IS PROPRIETARY TO MOLEX INCORPORATED AND SHOULD NOT BE USED WITHOUT WRITTEN PERMISSION					

NOTES

1. 製品詳細寸法は製品単体図面を参照して下さい。
FOR DETAIL OF CONNECTOR DIMENSIONS, PLEASE SEE THE DRAWING OF CONNECTOR ITSELF (NOT PACKAGED).
2. 梱包数量：1100個/リール
NUMBER OF CONNECTORS : 1100PIECES/REEL
3. リードテープ長さ
LEAD TAPE LENGTH



4. 材料
MATERIAL
キャリアテープ：ポリプロピレン
CARRIER TAPE : POLYPROPYLENE
トップテープ：PET、PE、REF
TOP TAPE
リール：ポリスチレン<リサイクル材を含む>
REEL : POLYSTYRENE <RECYCLE MATERIAL CONTAINED>
5. ELV及びRoHS適合品。
ELV AND RoHS COMPLIANT.
6. 本製品は乾燥剤入り、ハイバリア梱包仕様である。
(501331-0607~1507以外)
THIS PRODUCT IS HIGH BARRIER PACKAGE WITH DESICCANT.
(BESIDES 501331-0607~1507)



DETAIL "B"

REVISED EC NO: J2014-1558 DRWR: HORI 2014/04/15 CHKD: KASAKAWA 2014/04/15 APPR: NUKITA 2014/04/16	DESCRIPTION	GENERAL TOLERANCES (UNLESS SPECIFIED)		DIMENSION STYLE MM ONLY		SCALE ---	DESIGN UNITS METRIC	THIRD ANGLE PROJECTION	
		10 UNDER	±0.2	DRAWN BY NYOSHIDA	DATE 2005/01/18	TITLE 1.0 WIRE TO BOARD CONN. WAFER ASS'Y (1-ROW S/T) EMBSTP PKG			
		10 OVER 30 UNDER	±0.25	CHECKED BY MYAGI	DATE 2005/01/18				
		30 OVER	±0.3	APPROVED BY ANODA	DATE 2005/01/18				
REV	DESCRIPTION	ANGULAR ±1 °		MATERIAL NO. SEE SHEET 2		DOCUMENT NO. SD-501331-003		SHEET NO. 1 OF 3	
		DRAFT WHERE APPLICABLE MUST REMAIN WITHIN DIMENSIONS		THIS DRAWING CONTAINS INFORMATION THAT IS PROPRIETARY TO MOLEX INCORPORATED AND SHOULD NOT BE USED WITHOUT WRITTEN PERMISSION					

EMBOSSSED TAPE

1.6幅テープ
16 WIDTH TAPE

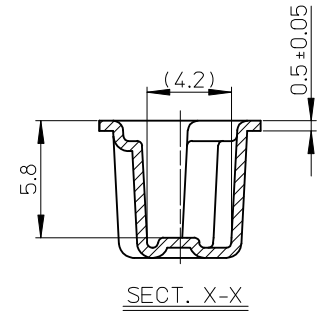
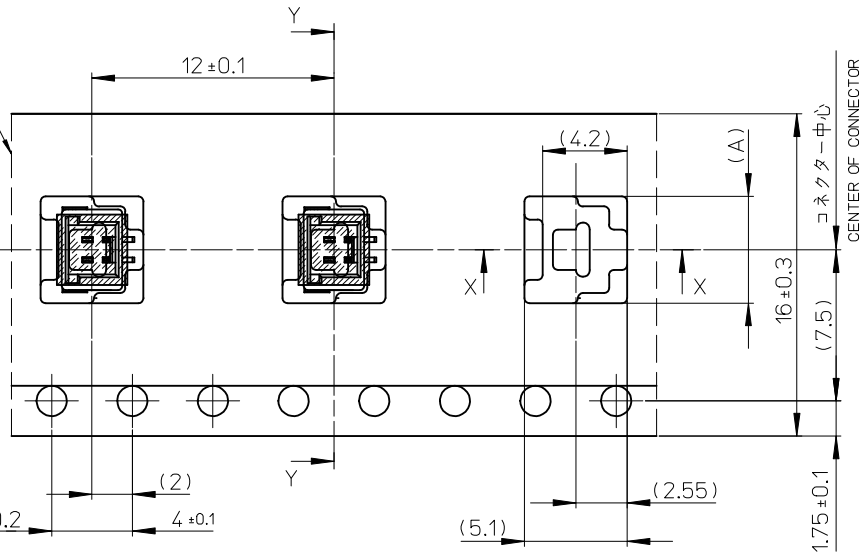
CONNECTOR

TOP TAPE

SECT. Y-Y

累積ピッチ: 40 ± 0.2
ACUUMLATIVE PITCH

引き出し方向
PULL OUT DIRECTION




8.3	501331-0507	5	501331-***7
7.3	501331-0407	4	
6.3	501331-0307	3	
5.3	501331-0207	2	
(A)	MATERIAL NO.	CKT.	MODEL NO.

REVISED EC NO: J2014-1558 DRWR: HORI 2014/04/15 CHKD: KASAKAWA 2014/04/15 APPR: NUKITA 2014/04/16	DESCRIPTION REV	GENERAL TOLERANCES (UNLESS SPECIFIED)		DIMENSION STYLE MM ONLY		SCALE ---	DESIGN UNITS METRIC	THIRD ANGLE PROJECTION	
		10 UNDER	± 0.2	DRAWN BY NYOSHIDA	DATE 2005/01/18	TITLE 1.0 WIRE TO BOARD CONN. WAFER ASS'Y (1-ROW S/T) EMBSTP PKG			
		10 OVER 30 UNDER	± 0.25	CHECKED BY MYAGI	DATE 2005/01/18	molex DOCUMENT NO. SD-501331-003 SHEET NO. 2 OF 3			
		30 OVER	± 0.3	APPROVED BY ANODA	DATE 2005/01/18				
ANGULAR ± 1 °		DRAFT WHERE APPLICABLE MUST REMAIN WITHIN DIMENSIONS		MATERIAL NO. SEE TABLE		THIS DRAWING CONTAINS INFORMATION THAT IS PROPRIETARY TO MOLEX INCORPORATED AND SHOULD NOT BE USED WITHOUT WRITTEN PERMISSION			

紫 VIOLET	橙 ORANGE	茶 BROWN	緑 GREEN	青 BLUE	黄 YELLOW	赤 RED	色 COLOR
501331-0597	501331-0587	501331-0577	501331-0567	501331-0547	501331-0537	501331-0527	5
501331-0497	501331-0487	501331-0477	501331-0467	501331-0447	501331-0437	501331-0427	4
501331-0397	501331-0387	501331-0377	501331-0367	501331-0347	501331-0337	501331-0327	3
501331-0297	501331-0287	501331-0277	501331-0267	501331-0247	501331-0237	501331-0227	2
PLASTIG BAG PACKAGE オ-ダ-番号 ORDER NO.	PLASTIG BAG PACKAGE オ-ダ-番号 ORDER NO.	PLASTIG BAG PACKAGE オ-ダ-番号 ORDER NO.	PLASTIG BAG PACKAGE オ-ダ-番号 ORDER NO.	PLASTIG BAG PACKAGE オ-ダ-番号 ORDER NO.	PLASTIG BAG PACKAGE オ-ダ-番号 ORDER NO.	PLASTIG BAG PACKAGE オ-ダ-番号 ORDER NO.	CKT. CONNECTOR SERIES NO.

白 WHITE	色 COLOR
501331-0507	5
501331-0407	4
501331-0307	3
501331-0207	2
PLASTIG BAG PACKAGE オ-ダ-番号 ORDER NO.	CKT. CONNECTOR SERIES NO.

REVISED EC NO: J2014-1558 DRW: RHORI 2014/04/15 CHKD: KASAKAWA 2014/04/15 APPR: NUKITA 2014/04/16	GENERAL TOLERANCES (UNLESS SPECIFIED)		DIMENSION STYLE MM ONLY		SCALE ---	DESIGN UNITS METRIC	THIRD ANGLE PROJECTION
	10 UNDER	±0.2	DRAWN BY RHORI	DATE 2014/04/15	TITLE 1.0 WIRE TO BOARD CONN. WAFER ASS'Y (1-ROW S/T) EMBSTP PKG		
	10 OVER 30 UNDER	±0.25	CHECKED BY KASAKAWA	DATE 2014/04/15	 DOCUMENT NO. SD-501331-003 SHEET NO. 3 OF 3		
	30 OVER	±0.3	APPROVED BY NUKITA	DATE 2014/04/16			
	ANGULAR ±1 °	MATERIAL NO. SEE TABLE					
	DRAFT WHERE APPLICABLE MUST REMAIN WITHIN DIMENSIONS	SIZE A3	THIS DRAWING CONTAINS INFORMATION THAT IS PROPRIETARY TO MOLEX INCORPORATED AND SHOULD NOT BE USED WITHOUT WRITTEN PERMISSION				