

# Product data sheet

## Power connectors

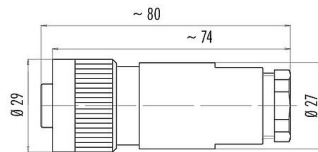


Product description	<b>RD24 Female cable connector, Contacts: 3+PE, 10.0-12.0 mm, unshielded, screw clamp, IP67, UL, ESTI+, VDE, PG 13.5</b>
Area	<b>series 693</b>
Part no.	<b>99 4222 14 04</b>

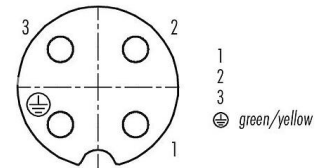
### Illustration



### Scale drawing



### Contact arrangement (Plug-in side)



You can find the component part drawing on the next page.

## Technical data

### General features

Part no.	<b>99 4222 14 04</b>
Connector design	Female cable connector
Version	Connector socket straight
Connector locking system	screw
Termination	screw clamp
Degree of protection	IP67
Cross-sectional area	max. 2.50 mm <sup>2</sup> / AWG 14
Cable outlet	10.0-12.0 mm
Temperature range from/to	-40 °C / 100 °C
Mechanical operation	> 500 Mating cycles
Weight (g)	45.56
Customs tariff number	85369010
Country of Origin	DE

### Electrical parameters

Rated voltage	400 V (600 V UL)
Rated voltage UL	11768
Rated impulse voltage	6000 V
Rated current	16 A (12 A UL)
Insulation resistance	≥ 10 <sup>10</sup> Ω
Pollution degree	3
Overvoltage category	III
Insulating material group	III
EMC compliance	unshielded

### Material

Contact body material	PBT (UL94 V-0)
Contact material	CuZn (brass)



Date: 07.08.2024

# Product data sheet

## Power connectors



Product description **RD24 Female cable connector, Contacts: 3+PE, 10.0-12.0 mm, unshielded, screw clamp, IP67, UL, ESTI+, VDE, PG 13.5**

Area **series 693**

Part no. **99 4222 14 04**

Contact plating Ag (silver)

REACH SVHC CAS 7439-92-1 (Lead)

SCIP number 48833657-0615-488c-ae4b-e15ac75eb828

### Authorization/approvals

Approvals UL, ESTI+, VDE

### Classifications

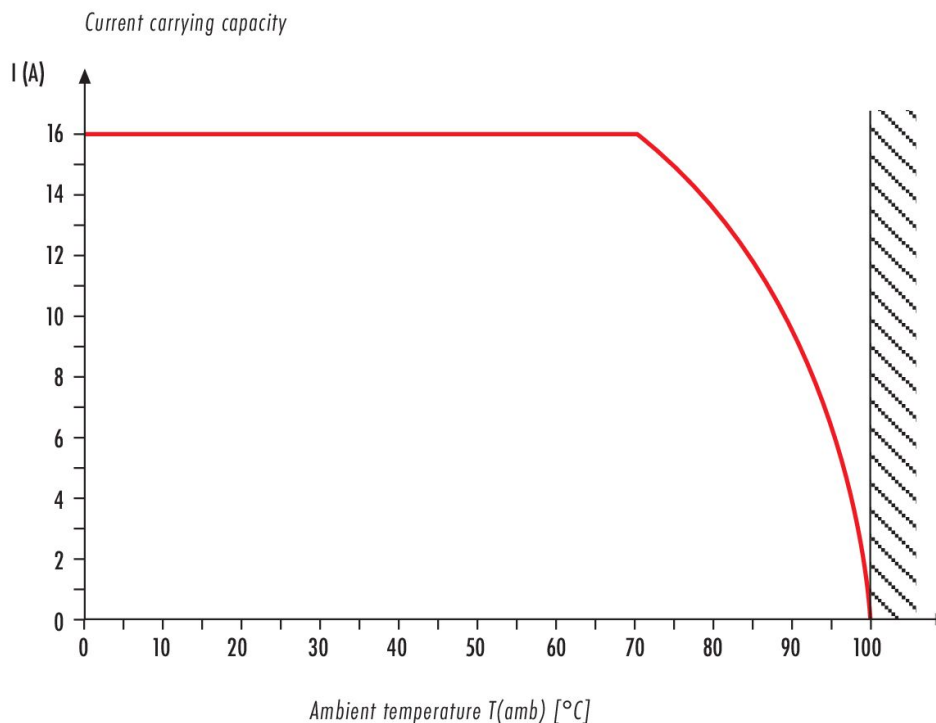
eCl@ss 11.1 27-44-01-02

ETIM 9.0 EC002635

### Declarations of conformity

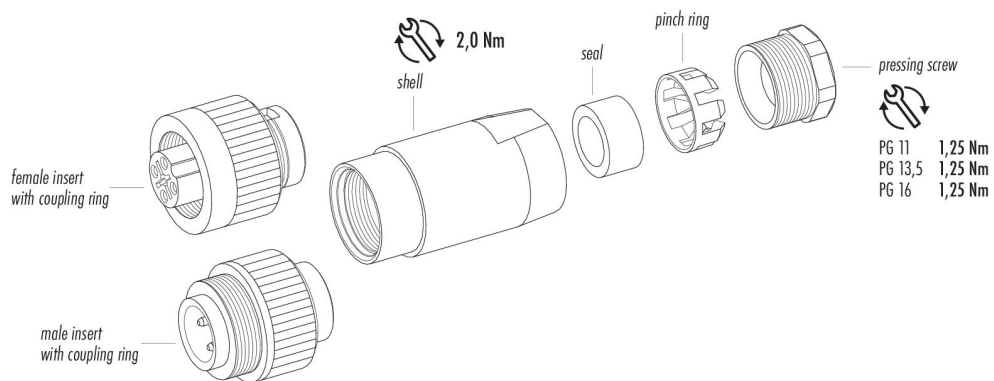
Low Voltage Directive 2014/35/EU (EN 60204-1:2018;EN 60529:1991)

### Derating curve



Product description **RD24 Female cable connector, Contacts: 3+PE, 10.0-12.0 mm, unshielded, screw clamp, IP67, UL, ESTI+, VDE, PG 13.5**  
Area **series 693**  
Part no. **99 4222 14 04**

### Component part drawing



Product description	<b>RD24 Female cable connector, Contacts: 3+PE, 10.0-12.0 mm, unshielded, screw clamp, IP67, UL, ESTI+, VDE, PG 13.5</b>
Area	<b>series 693</b>
Part no.	<b>99 4222 14 04</b>

## Security notices

The connector must not be plugged or unplugged under load. Non-observance and improper use can result in personal injury.

The connectors have been developed for applications in plant engineering, control and electrical equipment construction. The user is responsible for checking whether the connectors can also be used in other areas of application.

To protect against unintentional opening of the connector, the thread between the housing and the connector head must be secured with a suitable cyanoacrylate adhesive when used in circuits with voltages dangerous to the touch. This does not apply to connectors used in SELV and PELV circuits according to IEC 61140 (EN 61140, VDE 0140-1).

Connectors which are used in circuits with voltages dangerous to the touch may only be installed and used by, or under the supervision of, persons with electrical engineering training, taking into account the applicable regulations and standards.

The user must take suitable safety precautions to ensure that the connector cannot be accidentally disconnected.

The plug connector is not suitable for mains voltages. Please observe the pollution degree and the overvoltage category. For further information, please refer to the download center "Technical Information".

To lock the cable connector to the device connector, we recommend tightening the threaded ring to 2 Nm. A suitable torque wrench is available as an accessory (order no. 07 0082 000).