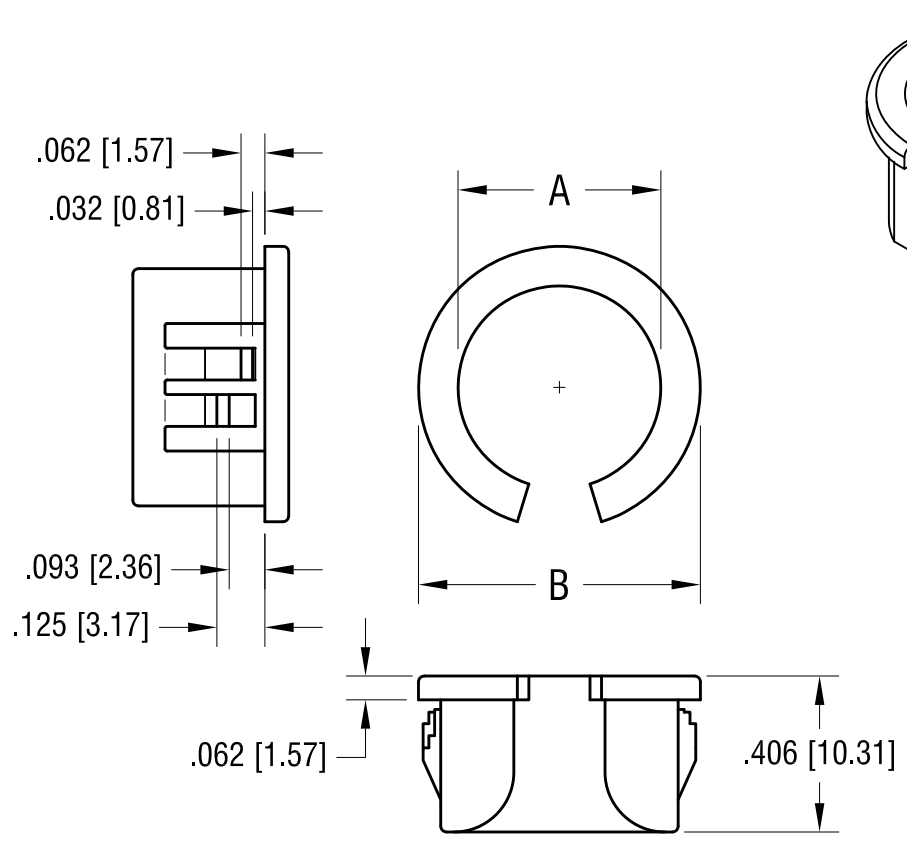


THIS DOCUMENT IS THE PROPERTY OF  
KEYSTONE ELECTRONICS CORP. AND  
SHALL NOT BE REPRODUCED, DISTRIBUTED  
OR USED AS A BASIS FOR MANUFACTURE  
WITHOUT PRIOR WRITTEN PERMISSION  
FROM KEYSTONE ELECTRONICS CORP.



| MOUNTING HOLE | 'A' DIA.     | 'B' DIA.     |
|---------------|--------------|--------------|
| .625 [15.88]  | .453 [11.51] | .687 [17.45] |

**KEYSTONE ELECTRONICS CORP.**  
www.keyelco.com • ASTORIA, N.Y. 11105-2017 • Tel (718) 956-8900

PART NAME: **NYLON SPLIT BUSHING**

MATERIAL: **NYLON 6/6, BLACK UL 94V-2**

|           |                      |                      |
|-----------|----------------------|----------------------|
| FINISH: - | DRN BY: <b>BOONE</b> | DATE: <b>1.18.07</b> |
|           | APP'D: <b>LN</b>     | SCALE: <b>NONE</b>   |

TOLERANCES INCH [MM]:  
DECIMAL ± .015 [± 0.38]  
ANGULAR ± 1°  
UNLESS OTHERWISE SPECIFIED

CODE: **C**

DWG NO.: **8493**

| DATE | DESCRIPTION | REV. |
|------|-------------|------|
|      |             |      |