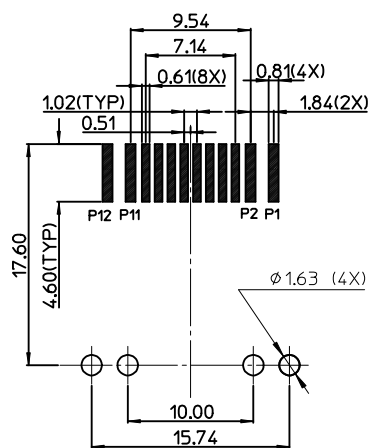
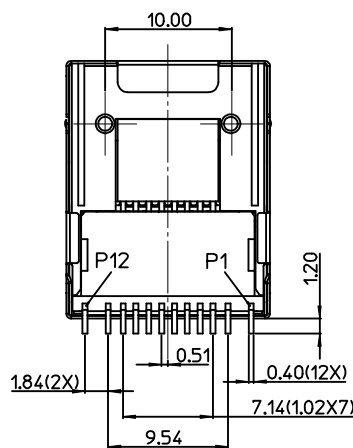
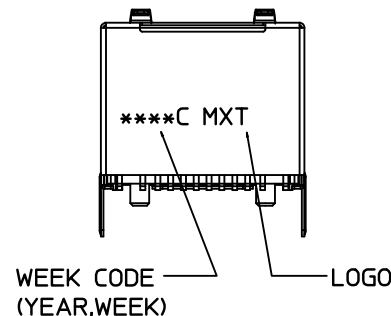
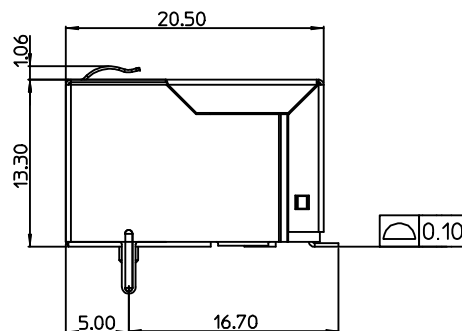
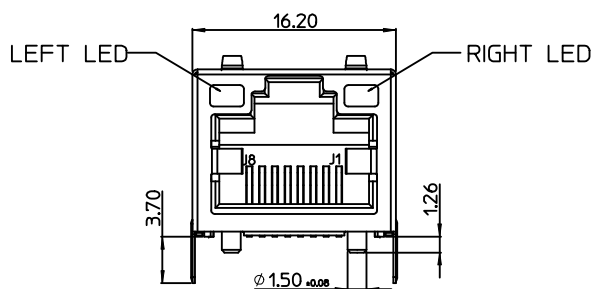


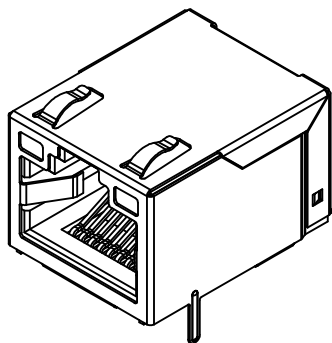
MECHANICAL DEMENSION



RECOMMENDED PCB LAYOUT
ALL DIMENSION TOLERANCE ARE ±0.05

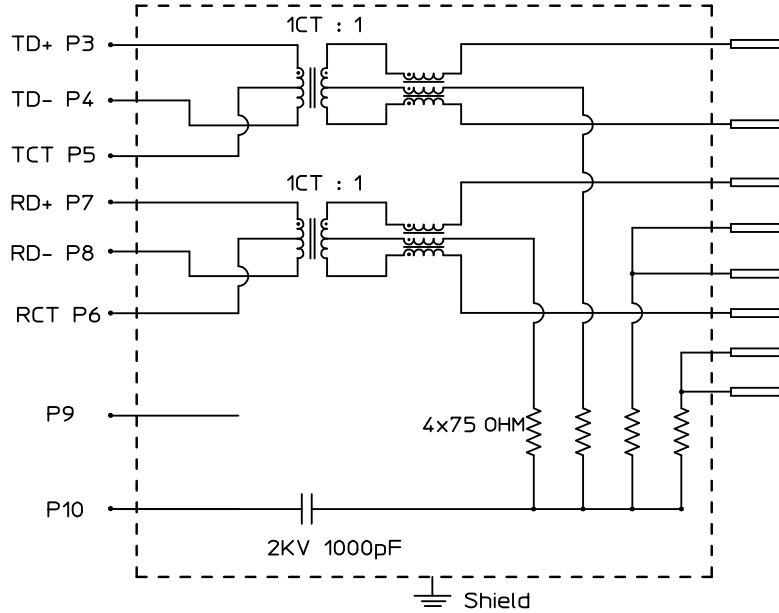
NOTES:

- MATERIAL:
HOUSING: HIGH TEMPTHERMOPLASTIC,UL94V-0,COLOR BLACK.
RJ45 TERMINAL: PHOSPHOR BRONZE.
TERMINAL P: BRASS
SHELL: BRASS
- PLATING:
RJ45 TERMINAL:
CONTACT AREA: GOLD(Au),THICKNESS=30 MICROINCH/0.76 MICROMETER MIN.
SOLID TAIL:TIN(Sn), THICKNESS=80 MICROINCH/2.00 MICROMETER MIN.
UNDER PLATE: NICKEL(Ni), THICKNESS=50 MICROINCH/1.27 MICROMETER MIN.
TERMINAL P:
TIN(Sn), THICKNESS=100 MICROINCH/2.54 MICROMETER MIN. OVERALL
SHELL:
SOLDER TAIL: PRE-SOLDER TIN(Sn).
UNDER PLATE: NICKEL(Ni), THICKNESS=50 MICROINCH/1.27 MICROMETER MIN.
- FOR IR REFLOW PROCESS. TIN PLATED AREA.
- RECOMMENDED PCB THICKNESS=1.60±0.05
- PRODUCT SPECIFICATION REFER TO PS-48074-006.
- TEST SUMMARY REFER TO TS-48074-006.
- PACKAGING SPECIFICATION REFER TO PK-48074-101.
- COPLANARITY: 0.10 MAX.
- LEAD FREE & RoHS COMPLIANT PRODUCT.



NEW RELEASE EC NO: S2017-0117 DRWN:JKACHLIC 2016/09/21 CHKD:JKACHLIC 2016/09/21 APPR:JKACHLIC 2016/10/13	DESCRIPTION REV	QUALITY SYMBOLS F _A =0 F _C =0 F _P =0	GENERAL TOLERANCES (UNLESS SPECIFIED)		DIMENSION STYLE MM ONLY		SCALE	DESIGN UNITS METRIC	THIRD ANGLE PROJECTION	
			mm	INCH	DRAWN BY JKACHLIC	DATE 2016/09/21	TITLE IMPROVED MODULAR JACK INTERGRATED MAGNETICS SMT,LED			
			4 PLACES ± --- ± ---	3 PLACES ± --- ± ---	CHECKED BY JKACHLIC	DATE 2016/09/21				
			2 PLACES ± 0.25 ± ---	1 PLACE ± 0.25 ± ---	APPROVED BY JKACHLIC	DATE 2016/10/13				
		0 PLACE ± --- ± ---			MATERIAL NO. 48074-9203	DOCUMENT NO. RSD-48074-203		SHEET NO. 1 OF 2		
			ANGULAR ± 3 °		SIZE A3		THIS DRAWING CONTAINS INFORMATION THAT IS PROPRIETARY TO MOLEX INCORPORATED AND SHOULD NOT BE USED WITHOUT WRITTEN PERMISSION			
			DRAFT WHERE APPLICABLE MUST REMAIN WITHIN DIMENSIONS							

SCHEMATIC:

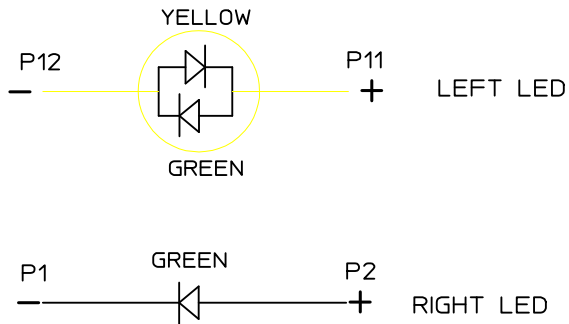


PORT P/PROT A

MAGNETIC ELECTRICAL SPECIFICATION

PARAMETER	SPECIFICATIONS		
INSERTION LOSS	100 KHz		
	1.0 dB MAX.		
RETURN LOSS (Z OUT=100 OHM±15%)	1-10 MHz	30 MHz	60-80 MHz
	20 dB MIN	16 dB MIN	12 dB MIN
	CROSSTALK		
CROSSTALK	1-10 MHz	30-60 MHz	60-100 MHz
	40 dB MIN	35 dB MIN	30 dB MIN
	COMMON MODE REJECTION RATIO		
COMMON MODE REJECTION RATIO	1-50 MHz	50-130 MHz	
	30 dB MIN	20 dB MIN	

HI-POT	(P1-P12 And Shield)Short TO PORT (J1-J8)Short	AC1500V 1.5mA 60SEC
	(P1-P12 And Shield)Short TO PORT (J1-J8)Short	DC2250V 1.5mA 60SEC



LED ELECTRICAL SPECIFICATION

PARAMETER	YELLOW/GREEN	GREEN	UNITS	TEST CONDITIONS
POWER DISSIPATION	60	60	mW	
REVERSE VOLTAGE	5	5	V	
PEAK WAVELENGTH	585~597/564.5~576.5	564.5~576.5	nm	IF=20mA
FORWARD VOLTAGE	2.1 MAX.=2.5	2.2 MAX.=2.5	V	IF=20mA

LED SCHEMATIC:

SEE SHEET1 EC NO: S2017-0117 DRWN:JKACHLIC 2016/09/21 CHKD:JKACHLIC 2016/09/21 APPR:JKACHLIC 2016/10/13	QUALITY SYMBOLS	GENERAL TOLERANCES (UNLESS SPECIFIED)		DIMENSION STYLE MM ONLY		SCALE 1:1	DESIGN UNITS METRIC	THIRD ANGLE PROJECTION
	▽ _A =0	4 PLACES	mm	INCH	DRAWN BY JKACHLIC	DATE 2016/09/21	TITLE IMPROVED MODULAR JACK INTERGRATED MAGNETICS SMT,LED	
	▽ _B =0	3 PLACES	± ---	± ---	CHECKED BY JKACHLIC	DATE 2016/09/21		
	▽ _C =0	2 PLACES	± 0.25	± ---	APPROVED BY JKACHLIC	DATE 2016/10/13		
▽ _D =0	1 PLACE	± 0.25	± ---	DRAFT WHERE APPLICABLE MUST REMAIN WITHIN DIMENSIONS		SIZE A3	SHEET NO. 2 OF 2	
1	REV	ANGULAR ± 3 °		THIS DRAWING CONTAINS INFORMATION THAT IS PROPRIETARY TO MOLEX INCORPORATED AND SHOULD NOT BE USED WITHOUT WRITTEN PERMISSION				