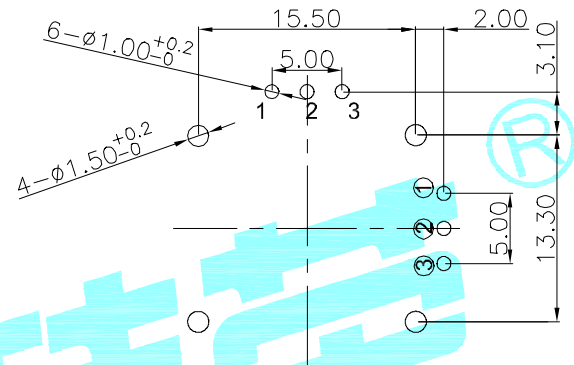
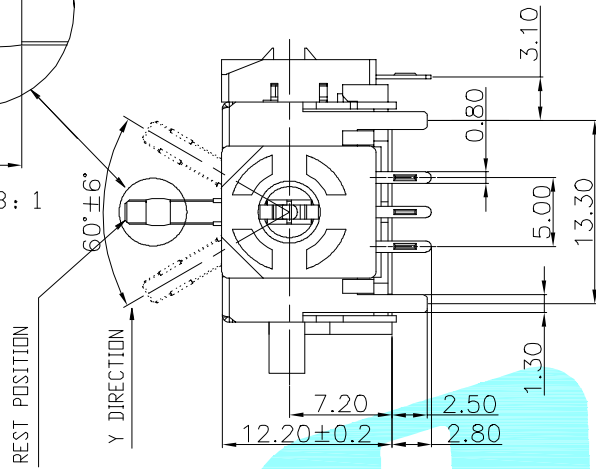
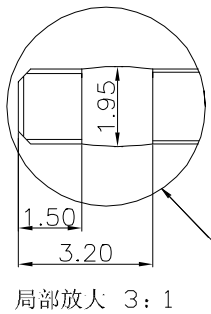
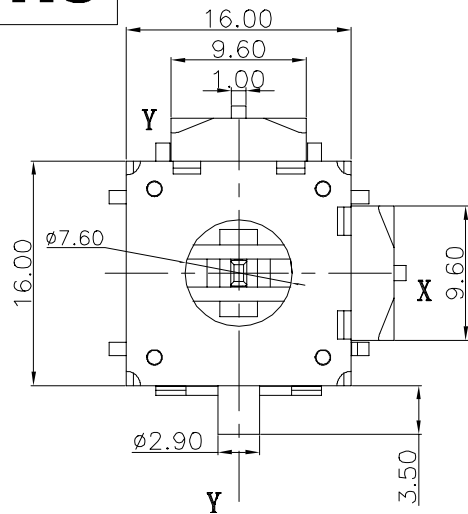
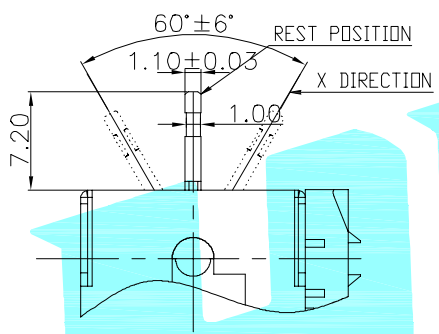


ROHS

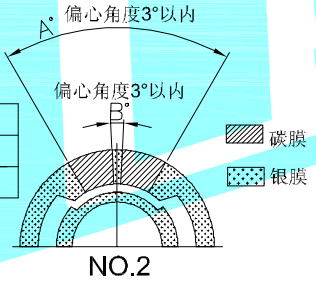


PCB Layout(Pattern side)

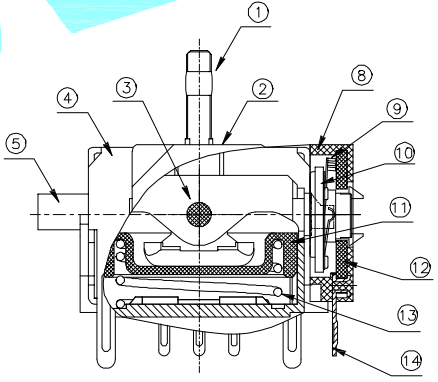
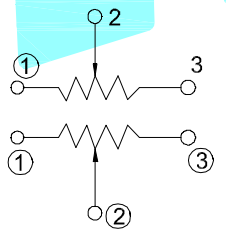


NO.1	
STANDARD	
10K±20%	
50K±20%	
100K±20%	
120K±20%	

NO.2					
A	38°	40°	45°	50°	60°
B	0°	4°	6°	8°	



Circuit Explanation



Scale 1:1

NO.3	
S	HAVE SWITCH
W	NO SWITCH

NO.4	
PART NO	vigor
A	160±40gf
B	220±40gf
C	250±40gf

NO.5	
PART NO	NOTE
01~99	SERIAL NUMBER

⑭	端子	6	SPCC	Plating Sn		
⑬	弹簧	1	SUS			
⑫	电阻片	2				
⑪	滑动座	1	PLASTIC			
⑩	胶座	2	PLASTIC			
⑨	刷子	2				
⑧	电阻片本体	2	PLASTIC			
⑦	底座		PBT			
⑥	开关		6*6*5			
⑤	下摇臂	1	ALLOY			
④	外壳	1	SPTe			
③	铆钉	1	FE	Plating Ni		
②	上摇臂	1	BRASS			
①	轴心	1	SUS	Plating Ni		
ITEM	PART NAME	Serial number	QTY.	MATERIAL	FINISHING	REMARK

APPROVALS		DATE		 ELECTRONICS CO.,LTD		
DRAWN	QIFENG.XU	2014.11.28				
CHECKED				TITLE:	ROCKER SWITCH	
APPROVALS				PART NO.	3D161-□□K-A□□B□-□-□-□□	
TOLERANCES ARE		30~以上 ±0.30	ANGLE	UNIT: mm	SCALE: 1:1	PROJ:
		10~30 ±0.20		DRAWING NO.		SHEET 1 OF 1
		5~10 ±0.15	±2'			
		~ 5 ±0.10				

ECN NO.	REV.	DATE.	DESCRIPTION.	CHANGE.	CHECK.	APPRO.
	A		NEW			