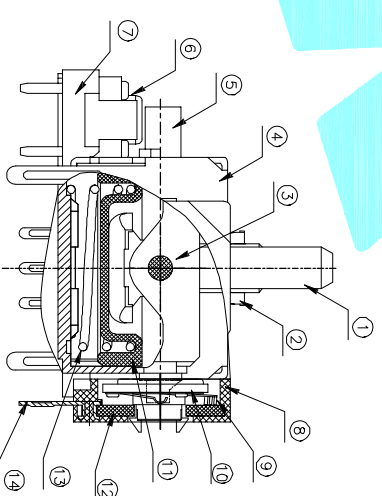
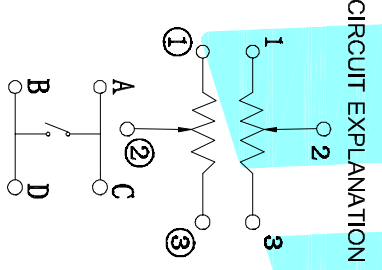
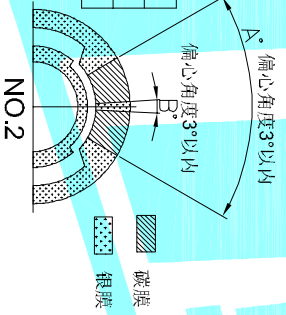


NO.1	
RESISTANCE	10±20%
	50±20%
	100±20%
	120±20%

NO.2		ANGLE	
A	38°	40°	45°
B	0°	4°	6°
		8°	



Scale 1:1

NO.3	
S	HAVE SWITCH
W	NO SWITCH

NO.4	
PART NO.	A
VIGOR	160±40gf
	220±40gf
	250±40gf

NO.5	
PART NO.	01~99
NOTE	SERIAL NUMBER

ITEM	PART NAME	Serial number	QTY.	MATERIAL	FINISHING	REMARK
14	端子		6	SPCC	Plating Sn	
13	弹簧		1	SUS		
12	电阻片		2			
11	滑动座		1	PLASTIC		
10	胶座		2	PLASTIC		
9	刷子		2			
8	电阻片本体		2	PLASTIC		
7	底座		1	PBT		
6	开关		1	6*6*5		
5	下摇臂		1	ALLOY	Plating Ni	
4	外壳		1	SPTF		
3	铆钉		1	FE	Plating Ni	
2	上摇臂		1	PLASTIC		
1	轴心		1	PLASTIC		

APPROVALS		DATE	
DRAWN	QI/FENG:XU	2014.11.28	

CHECKED		TITLE:	
		ROCKER SWITCH	
APPROVALS		PART NO. 3D162-DDK-ADD0D-D-D-00	
TOLERANCES ARE		SCALE: 1:1	
30±0.1	±0.30	PROJ.	
10~30	±0.20	SHEET 1 OF 1	
5~10	±0.15		
~5	±0.10		

ECN NO.	REV.	DATE.	DESCRIPTION.	CHANGE.	CHECK.	APPRO.
	A		NEW			