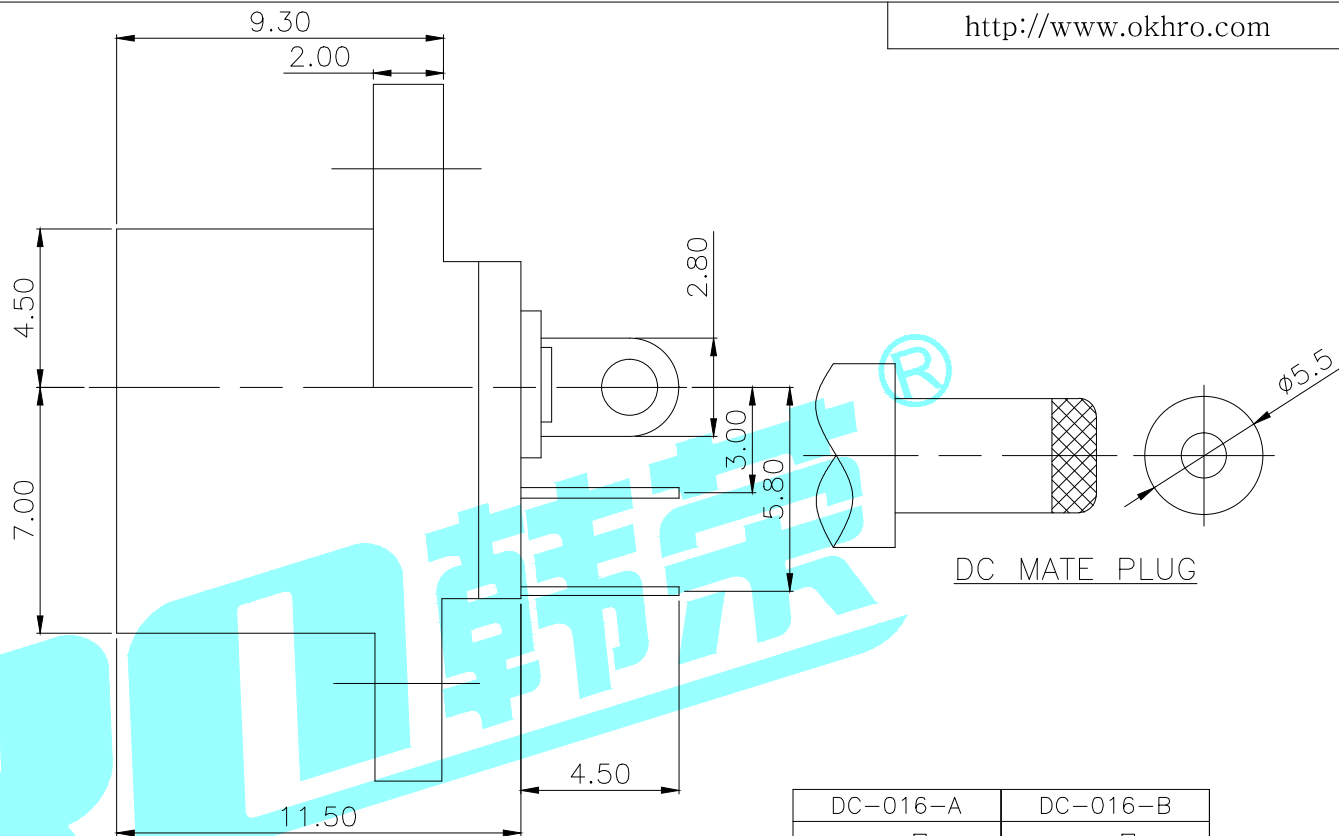
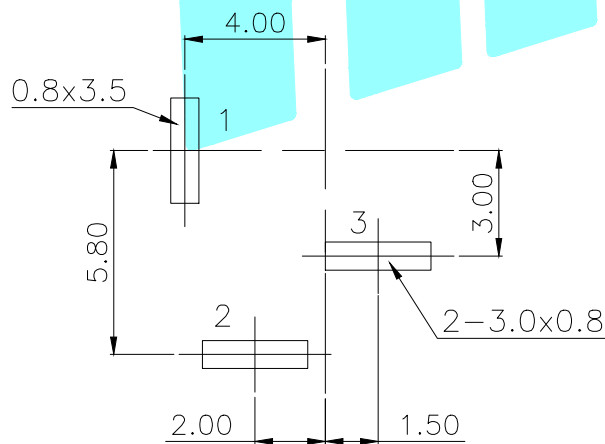
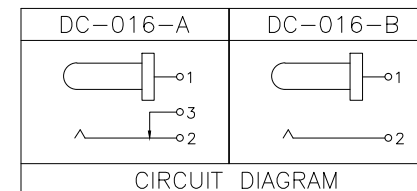


P.C.B LAYOUT(top view)



DC MATE PLUG



CIRCUIT DIAGRAM

Model No.	1	2	3
PIN	Ø2.0	Ø2.35	Ø2.5

Rating:0.5A 30V DC
 Contact Resistance:100 mΩ Max.
 Operating temperature:-20℃~70℃
 Operating force:3~20N
 Operating Life:5,000cycles

②	Terminal	---	3	Phosphor bronze	Au Plating	---
①	Housing	---	1	Nylon	Black	---
ITEM	PART NAME	TER'NO.	QTY.	MATERIAL	FINISHING	REMARK
APPROVALS			DATE	ELECTRONICS CO.,LTD		
DRAWN	J.X.Zhang	2013/11/11	TITLE: PHONE JACKES			
CHECKED			PART NO. DC-016			
APPROVALS			UNIT: mm SCALE: 1:1 PROJ:			
TOLERANCES ARE	30~以上	±0.30	ANGLE	UNIT: mm	SCALE: 1:1	PROJ:
	10~30	±0.20				
	5~10	±0.15	±2'	DRAWING NO.		SHEET 1 OF 1
	~ 5	±0.10				

_____	A	_____	NEW	_____	_____	_____
ECN NO.	REV.	DATE.	DESCRIPTION.	CHANGE.	CHECK.	APPRO.