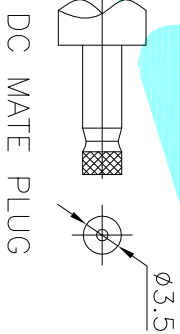
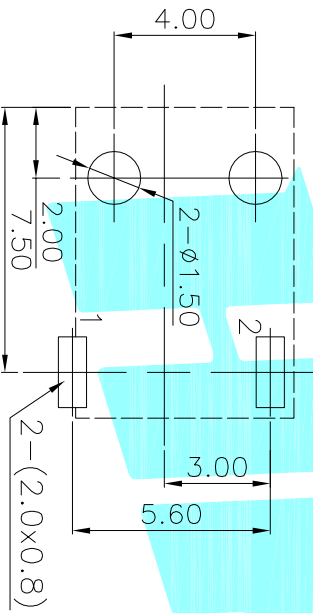


Model No.	1	2
PIN	$\phi 1.0$	$\phi 1.3$

P.C.B LAYOUT(copper-sided view)



Rating:0.5A 30V DC
 Contact Resistance:100 m Ω Max.
 Operating temperature:-20 $^{\circ}$ C~70 $^{\circ}$ C
 Operating force:3-20N
 Operating Life:5,000cycles

②	Terminal	—	2	Phosphor bronze	Au Plating	—				
①	Housing	—	1	Nylon	Black	—				
ITEM	PART NAME	TER'NO.	QTY.	MATERIAL	FINISHING	REMARK				
APPROVALS				DATE	—					
DRAWN	J.X.Zhong	2013/11/11	TITLE: PHONE JACKES							
CHECKED				ELECTRONICS CO.,LTD						
APPROVALS				PART NO. DC-047B						
TOLERANCES ARE				30~ ϕ 以上 10~30 5~10	± 0.30 ± 0.20 ± 0.15	ANGLE $\pm 2^{\circ}$	UNIT: mm	SCALE: 1:1	PROJ:	SHEET 1 OF 1
ECN NO.	REV.	DATE.	DESCRIPTION.	CHANGE.	CHECK.	APPRO.	NEW			