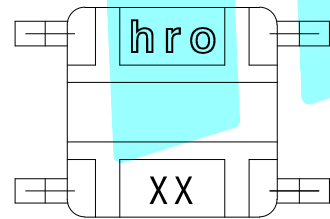
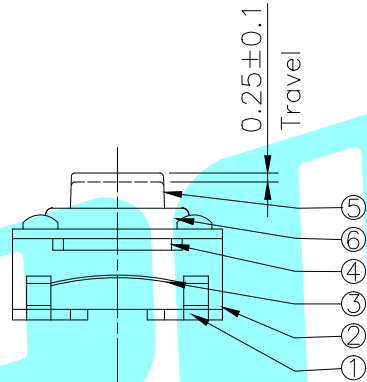
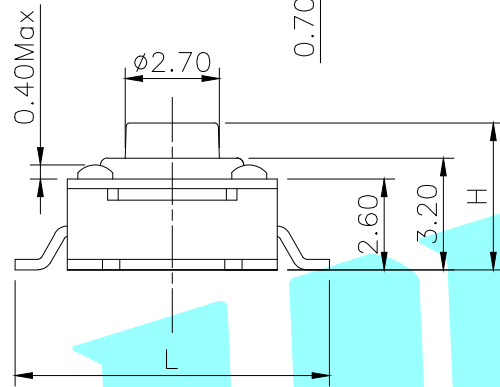


PCB Layout (Pattern side)



Typical Specifications

1. Rating : DC 12V 50mA
2. Contact Resistance: ≤100mΩ
3. Insulation Resistance: ≥100mΩ DC250V
4. Operating Temperature Range: -25°C+85°C
5. Ambient Humidity Used: ≤85%RH
6. Travel: 0.25±0.1mm
7. Life : 100,000 Cycles
8. IP Rating: IP66

NO.1	
PART NO	H
A	4.3
C	5
G	7

NO.2	
PART NO	vigor
3	180±30
4	250±30

NO.3	
PART NO	MATERIAL/QTY
S	SUS/1PC
C	C5210/1PC
D	SUS/2PCS
F	C5210/2PCS

NO.4		
PART NO	L	L1
A	8	10
C	9	11
E	10	12

NO.5-NO.6	
PART NO	NOTE
01~99	SERIAL NUMBER

⑥	Cover	—	1	Brass	Tin Plated	—
⑤	Keystoke	—	1	Nylon	Red	—
④	Waterproof Silicone	—	1	Silica gel	Black	—
③	Contact	—	1	F.Ag/SUS	Plating silver	—
②	Base	—	1	Nylon	Black	—
①	Terminal	—	4	Copper(0.3t)	Plating silver	—
ITEM	PART NAME	TER'NO.	QTY.	MATERIAL	FINISHING	REMARK

APPROVALS		DATE		ELECTRONICS CO.,LTD		
DRAWN	J.X.Zhang	2014/6/13		TITLE:	TACT SWITCHS	
CHECKED				PART NO.	K2-1110SP-□□□□-□□	
APPROVALS				UNIT: mm	SCALE: 1:1	PROJ:
TOLERANCES ARE	30~以上	±0.30	ANGLE	DRAWING NO.	SHEET	1 OF 1
	10~30	±0.20				
	5~10	±0.15				
	~ 5	±0.10	±2'			

ECN NO.	REV.	DATE.	DESCRIPTION.	CHANGE.	CHECK.	APPRO.
	A		NEW			