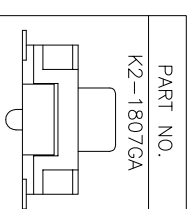


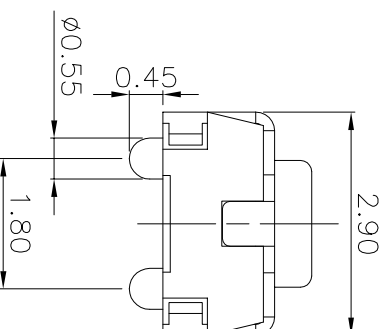
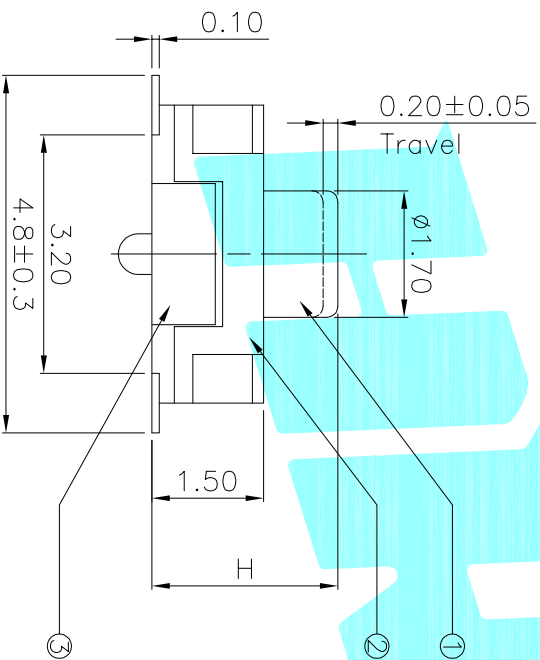
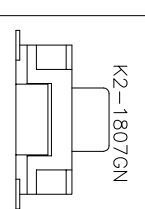
NO.1	
PART NO	H
A	2.0
B	2.5

NO.4-NO.5	
PART NO	NOTE
01~99	SERIAL NUMBER

NO.2	
PART NO	VIGOR
3	180±35
4	250±35



NO.3	
PART NO	MATERIAL/QTY
S	SUS/1PC
D	SUS/2PCS



⑥	Dust cover	1	KAPTON FILM		
⑤	Terminal	2	Brass(0.30t)	Plating silver	
④	Contact	2	F.Ag/SUS	Black	
③	Base	1	Nylon	Black	
②	Cover	1	SUS	Plating Nickel	
①	Keystroke	1	Silica gel	Black	

APPROVALS		DATE	REMARK
DRAWN	J.X.Zhang	2013/6/24	

CHECKED		TITLE: TACT SWITCHS	
APPROVALS		PART NO.	K2-1807GD-000W-00
TOLERANCES ARE		SCALE: 1:1	PROJ:
30~0.1	±0.30		
10~30	±0.20		
5~10	±0.15		
~5	±0.10		
	±2'	DRAWING NO.	SHEET 1 OF 1

ECN NO.	REV.	DATE.	DESCRIPTION.	CHANGE.	CHECK.	APPRO.
	A		NEW			



HONGSHI ELECTRONICS CO., LTD