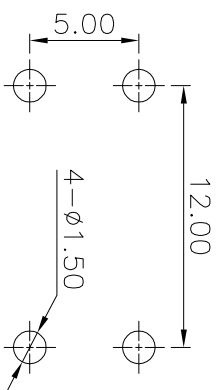
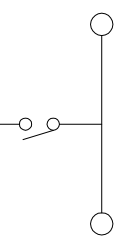
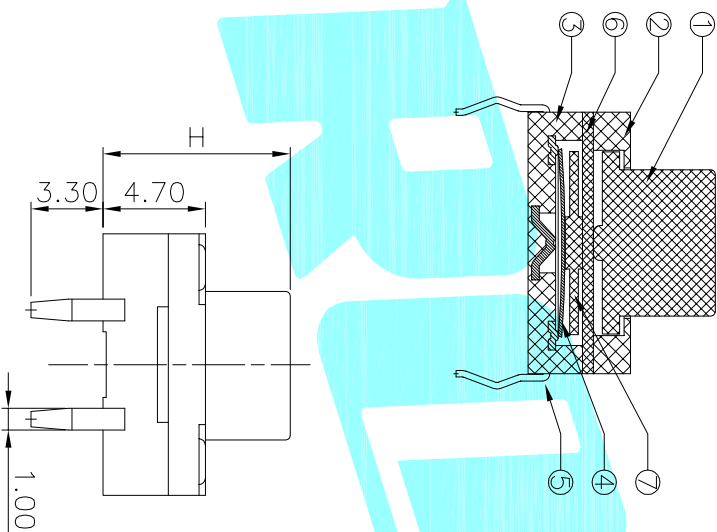
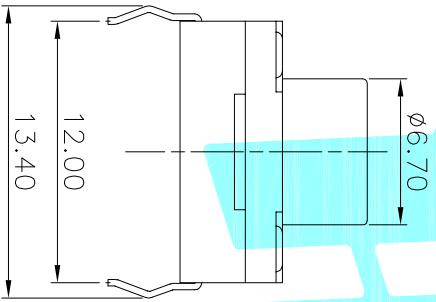
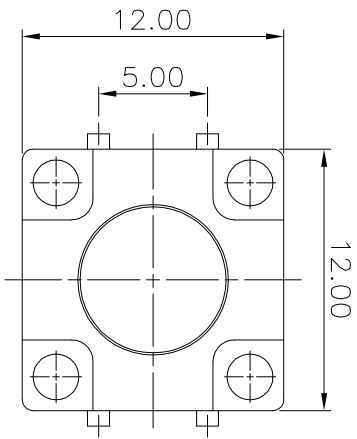
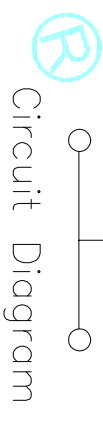


NOTE: Waterproof: IEC IP66



PCB Layout (Pattern side)



NO.2	
PART NO	vigor
4	250±30
5	350±50

NO.3	
PART NO	MATERIAL/QTY
S	SUS/1PC
C	C5210/1PC
D	SUS/2PCS
F	C5210/2PCS

NO.1			
PART NO	H	PART NO	H
E	6	Q	12
F	6.5	R	12.5
G	7	S	13
H	7.5	T	13.5
I	8	U	14
J	8.5	V	15
K	9	W	16
L	9.5	X	17
M	10	Y	18
N	10.5	Z	19
O	11		15.5
P	11.5		16.5

NO.4-NO.5	
PART NO	NOTE
01~99	SERIAL NUMBER

⑦	Gasket	—	1	Nylon	—	—
⑥	Waterproof Silicone	—	1	Silica gel	—	—
⑤	Terminal	—	4	Brass(0.3t)	Plating silver	—
④	Contact	—	1	F.Ag/C5210	—	—
③	Base	—	1	Nylon	Black	—
②	Cover	—	1	Nylon	Black	—
①	Keystroke	—	1	Nylon	Black	—
ITEM	PART NAME	TER'NO.	QTY.	MATERIAL	FINISHING	REMARK
APPROVALS		DATE				
DRAWN		J.X.Zhong		2013/7/17		
CHECKED						
APPROVALS						
TOLERANCES ARE		30~φ以上	±0.30	ANGLE	±2°	
	10~30	±0.20		UNIT: mm		
	5~10	±0.15		SCALE: 1:1		
	~5	±0.10		DRAWING NO.		

**HROE**  
ELECTRONICS CO.,LTD

TITLE: TACT SWITCHS

PART NO. K2-1841DP-000W-00

PROJ:

ECN NO.	REV.	DATE.	DESCRIPTION.	CHANGE.	CHECK.	APPRO.
	A		NEW			