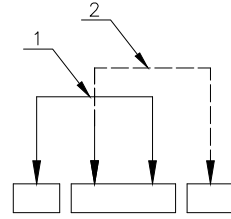
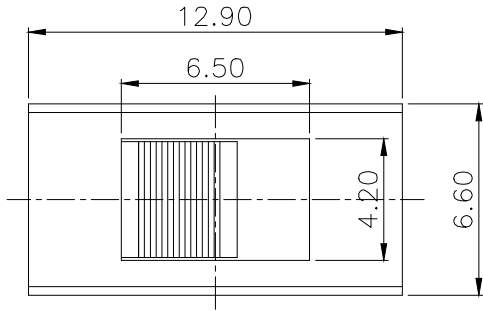


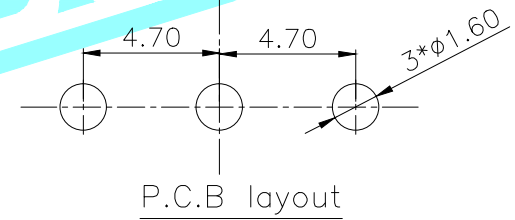
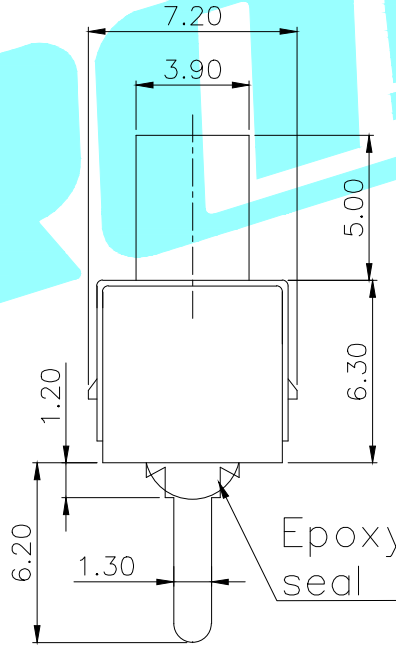
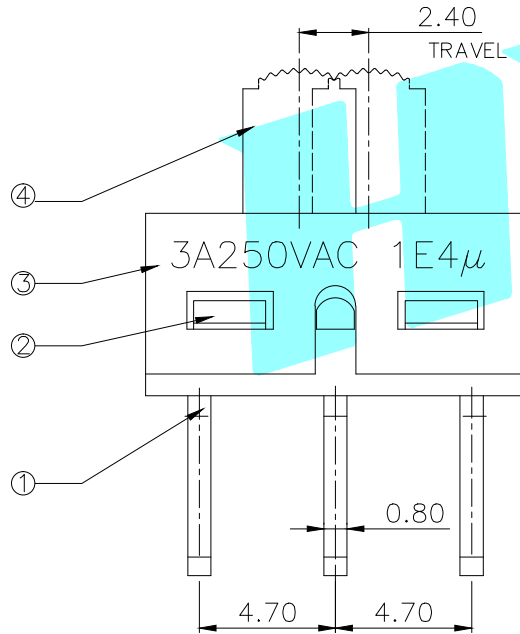
ROHS



Schematic(Shorting)

Typical Specifications

1. Rating : 3A125V AC
2. Insulation Resistance:1,000M min
3. Operating force:300±150gf
4. Operating Life : 30,000 cycles



ITEM	PART NAME	TER'NO.	QTY.	MATERIAL	FINISHING	REMARK
⑥	Spring	—	1	Stainless Steel	Natural	—
⑤	Contact Clip	—	1	PBS C5210R-EH	Ag Clad	—
④	Knob	—	1	PA	Black	—
③	Frame	—	1	SPCC	Ni Plated	—
②	Base	—	1	PA	Black	—
①	Terminal	—	3	Brass Strip	Ag Plated	—

APPROVALS		DATE	HRC 韓榮® ELECTRONICS CO.,LTD					
DRAWN	LIUCAN	2020.11.26	TITLE:	SLIDE SWITCHES				
CHECKED			PART NO.	K3-1391D				
APPROVALS			TOLERANCES ARE	30~以上 ±0.30 10~30 ±0.20 5~10 ±0.15 ~ 5 ±0.10	ANGLE ±2'	UNIT: mm SCALE: 1:1 PROJ:		
ECN NO.	REV.	DATE.	DESCRIPTION.	CHANGE.	CHECK.	APPRO.	DRAWING NO.	SHEET 1 OF 1

ECN NO.	REV.	DATE.	DESCRIPTION.	CHANGE.	CHECK.	APPRO.
—	A	—	NEW	—	—	—