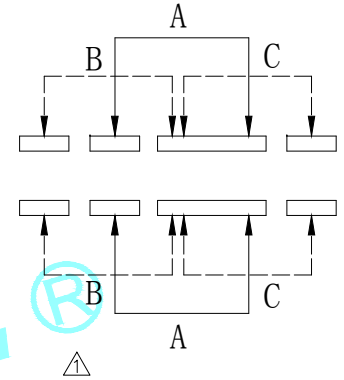
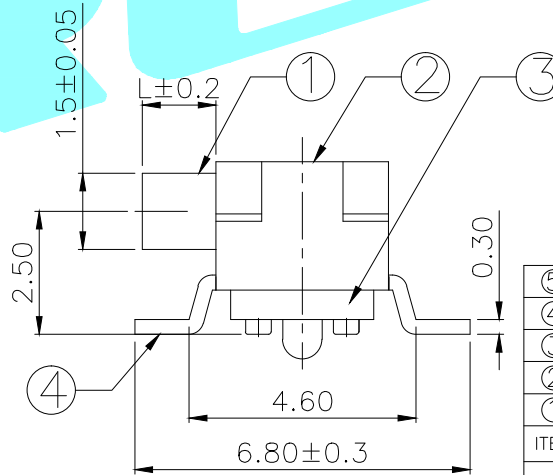
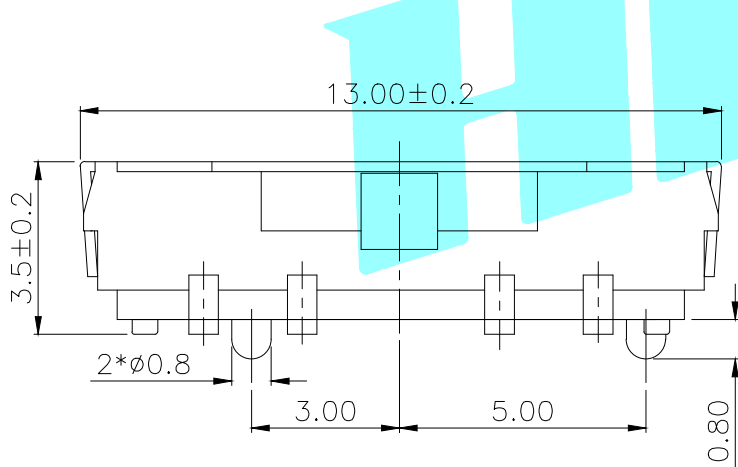


PCB Layout (Pattern side)



Circuit Diagram



TYPE	PART NO.	L	Operating force
	K3-2346S-F□	2	250±100gf
	K3-2346S-K□	3	
	K3-2346S-L□	4	
	K3-2347S-F□	2	250±100gf
	K3-2347S-K□	3	
	K3-2347S-L□	4	

□:KNOB 1:Black 2:White

⑤	Contact Spring	—	2	Beryllium copper	Ag Plated	—
④	Terminal	—	8	Brass Strip	Ag Plated	—
③	Base	—	1	NYLON	Black	—
②	Cover	—	1	SUS	Natural	—
①	KNOB	—	1	NYLON	White	—
ITEM	PART NAME	TER'NO.	QTY.	MATERIAL	FINISHING	REMARK

APPROVALS		DATE		 ELECTRONICS CO.,LTD		
DRAWN	QIFENG.XU	2014/9/17				
CHECKED				PART NO.		
APPROVALS				UNIT: mm	SCALE: 1:1	PROJ:
TOLERANCES ARE		30~以上	±0.30	ANGLE	DRAWING NO.	SHEET 1 OF 1
		10~30	±0.20			
		5~10	±0.15			
		~ 5	±0.10			

ECN NO.	REV.	DATE.	DESCRIPTION.	CHANGE.	CHECK.	APPRO.
	A		NEW			
	A					