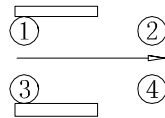
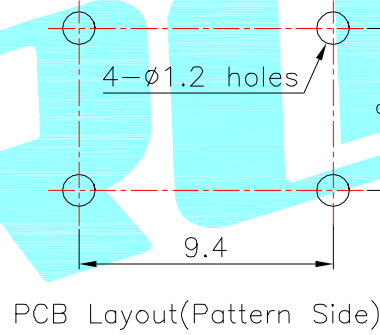
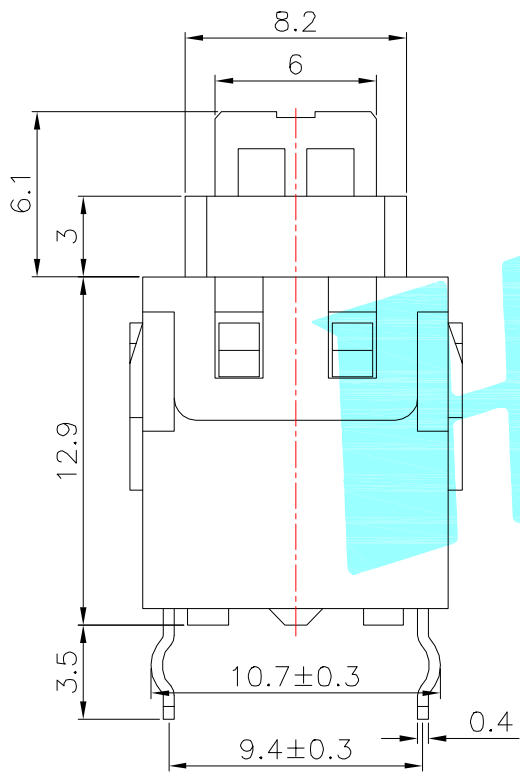
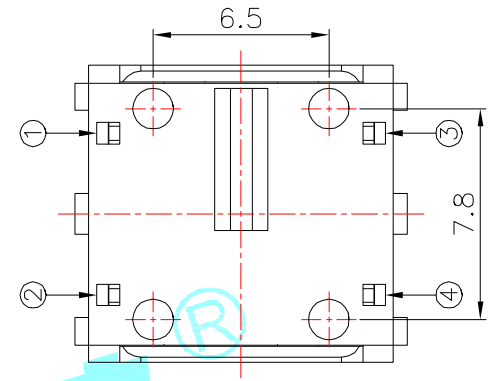
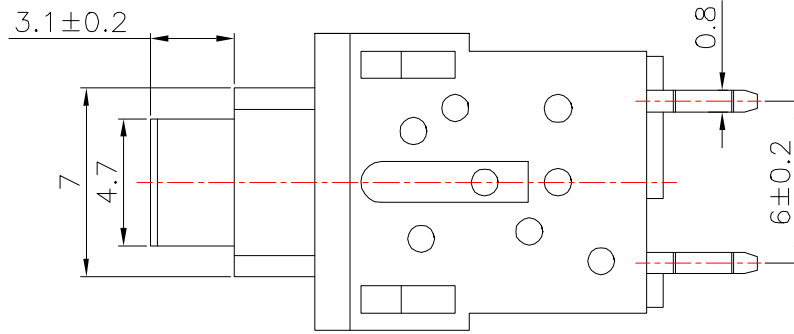
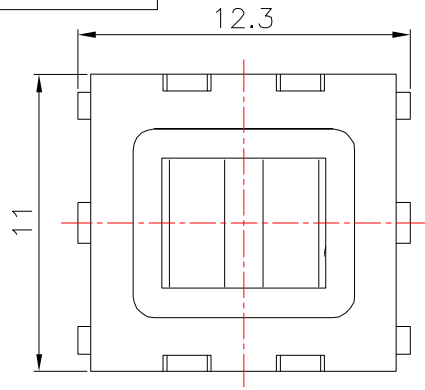
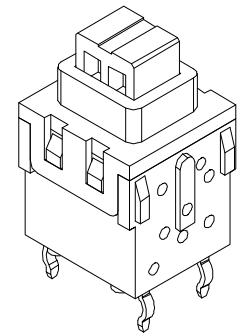
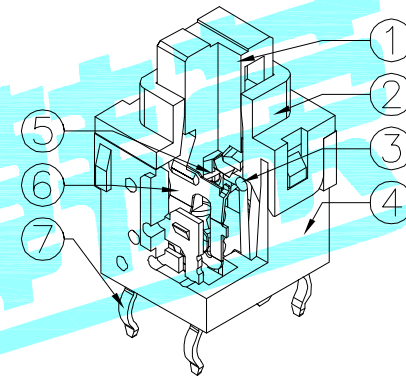


ROHS



Circuit Diagram



NO.	Operating Type	Part No.	Part No.
1	Push To Lock	K8-1112D-L1	K8-1112D-L2
2	Push No Lock	K8-1112D-N1	K8-1112D-N2
3	Push No Sound No Lock	K8-1112D-NN	K8-1112D-NN2

⑦	Terminal	4	Brass strip	Plating silver	_____
⑥	Contact	2	Phosphor bronze	Plating silver	_____
⑤	Spring	1	SUS	Natural	_____
④	Base	1	PBT	Black	_____
③	Crochet Needle	1	SUS	Natural	_____
②	Cover	1	POM	White	_____
①	KNOB	1	PA66	White	_____

ITEM	PART NAME	TER'NO.	QTY.	MATERIAL	FINISHING	REMARK
------	-----------	---------	------	----------	-----------	--------

APPROVALS		DATE		HROELECTRONICS CO.,LTD		
-----------	--	------	--	------------------------	--	--

DRAWN	J.X.Zhang	2013/10/22	TITLE:	PUSHBUTTON SWITCHES		
-------	-----------	------------	--------	---------------------	--	--

CHECKED			PART NO.			
---------	--	--	----------	--	--	--

APPROVALS						
-----------	--	--	--	--	--	--

TOLERANCES ARE	30~以上	±0.30	ANGLE	UNIT: mm	SCALE: 1:1	PROJ:
----------------	-------	-------	-------	----------	------------	-------

	10~30	±0.20	±2'	DRAWING NO.		SHEET 1 OF 1
--	-------	-------	-----	-------------	--	--------------

ECN NO.	REV.	DATE.	DESCRIPTION.	CHANGE.	CHECK.	APPRO.
	A		NEW			