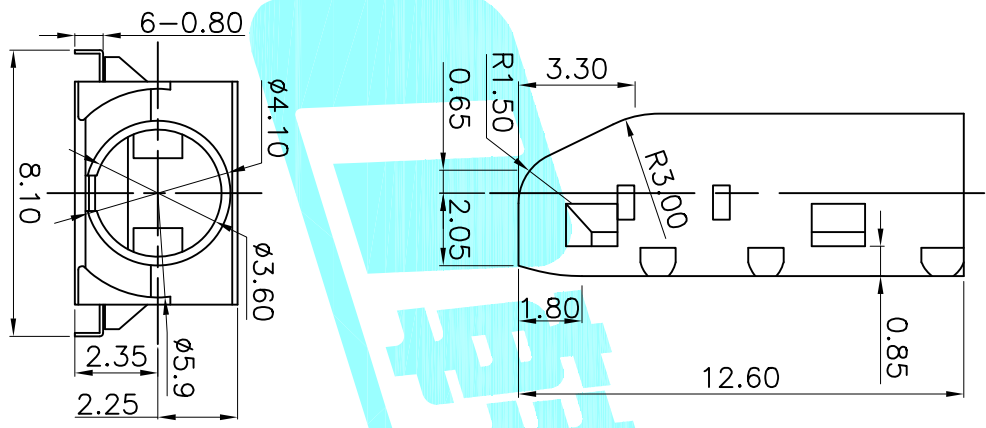
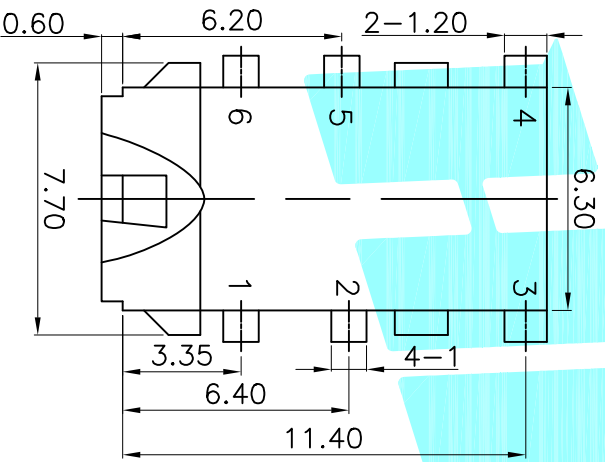
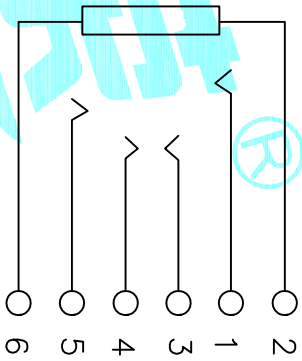


P.C.B LAYOUT



CIRCUIT DIAGRAM



Rating:0.5A 30V DC  
 Contact Resistance:100 mΩ Max.  
 Operating temperature:-20℃~70℃  
 Operating force:3-20N  
 Operating Life:5,000cycles

ECN NO.	REV.	DATE.	DESCRIPTION.	CHANGE.	CHECK.	APPRO.
	A		NEW			

②	Terminal	6	Phosphor bronze	Au Plating		
①	Housing	1	Nylon	Black		
ITEM	PART NAME	TER.NO.	QTY.	MATERIAL	FINISHING	REMARK
APPROVALS		DATE				
DRAWN	J.X.Zhang	2013/11/11	ELECTRONICS CO.,LTD			
CHECKED			PHONE JACKES			
APPROVALS			PART NO.	PJ-602		
TOLERANCES ARE		30~0.15	±0.30	ANGLE	UNIT: mm	SCALE: 1:1
		10~0.30	±0.20			PROJ.
		5~0.10	±0.15	±2'	DRAWING NO.	SHEET 1 OF 1

