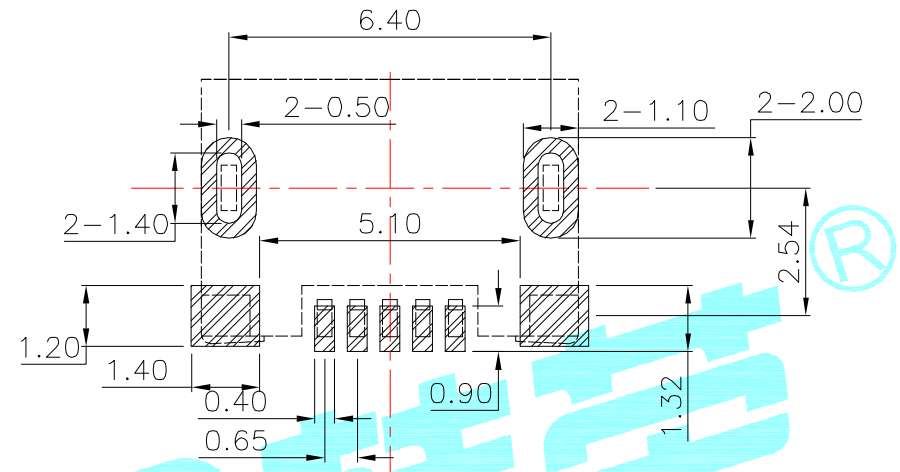
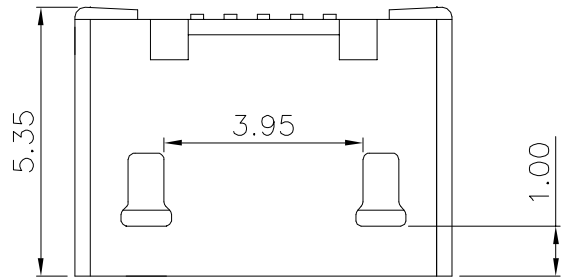
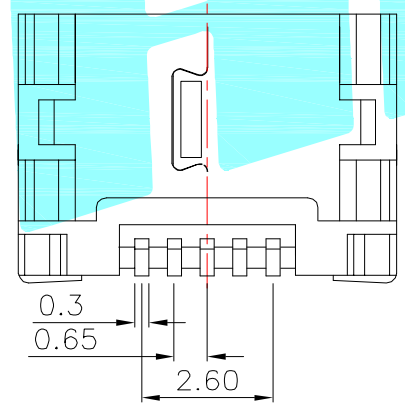
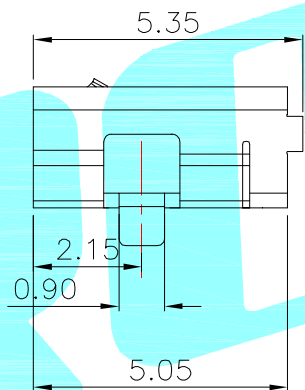
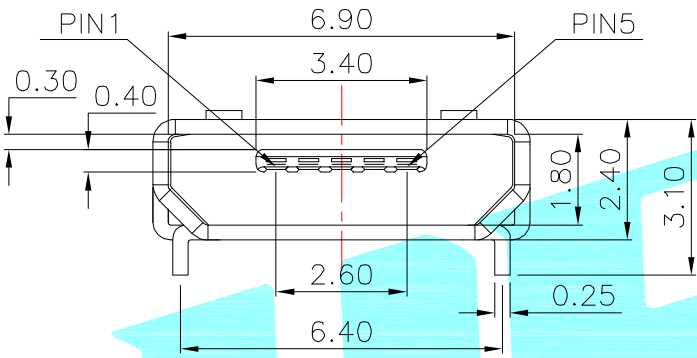


# ROHS



Recommended PCB Layout



### SPECIFICATIONS

- 1.RATING: DC30V 1.0A
- 2.MECHANICAL LIFE: 10,000 CYCLES.
- 3.PACKAGING: 1000PCS/REEL

③	Shell	—	1	Phosphor Bronze	Sn Plated	—
②	Contact	—	5	Phosphor Bronze	Au Plated	—
①	Housing	—	1	LCP	Black	—
ITEM	PART NAME	TER'NO.	QTY.	MATERIAL	FINISHING	REMARK

APPROVALS			DATE		 ELECTRONICS CO.,LTD	
DRAWN	JKUN.LU	2014/9/29				
CHECKED					TITLE:	USB CONNECTOR
APPROVALS					PART NO.	U-F-M5DS-W-3
TOLERANCES ARE		30~以上	±0.30	ANGLE	UNIT: mm	SCALE: 1:1
		10~30	±0.25			
		5~10	±0.20			
		~ 5	±0.15			
			±2'		DRAWING NO.	
					PROJ:	

ECN NO.	REV.	DATE.	DESCRIPTION.	CHANGE.	CHECK.	APPRO.
	A		NEW			