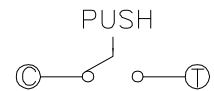


| TER | ANG. | 0° (▨=NO) | | | |
|-----|------|-----------|-------|-------|-------|
| | | (20°) | (15°) | (15°) | (20°) |
| ① | | ▨ | | | |
| ② | | | | ▨ | |
| ③ | | ▨ | ▨ | ▨ | ▨ |

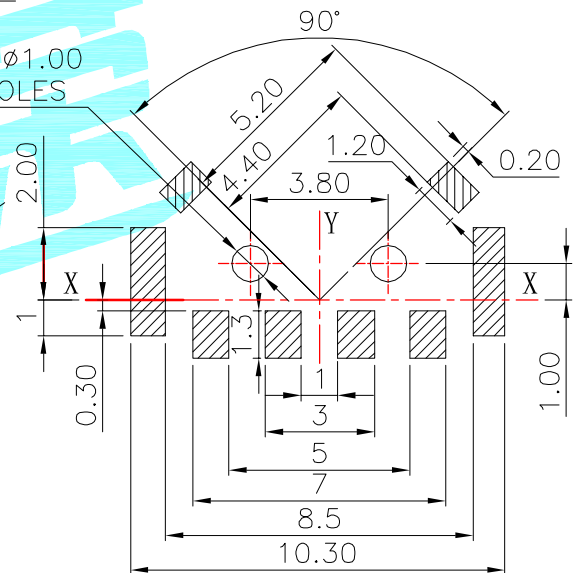
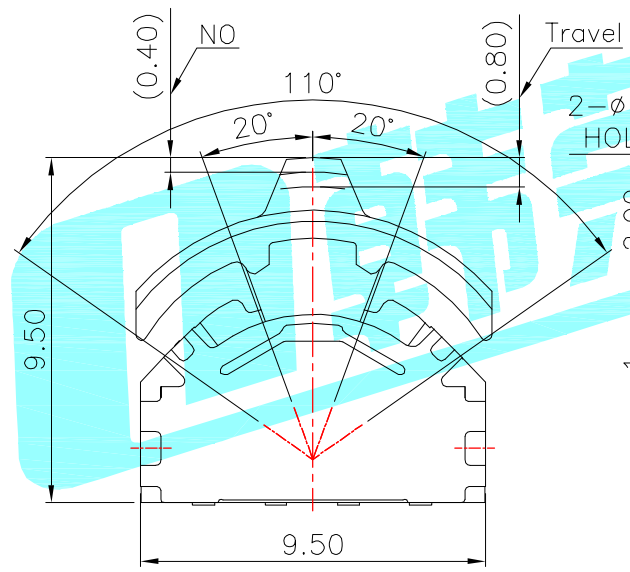
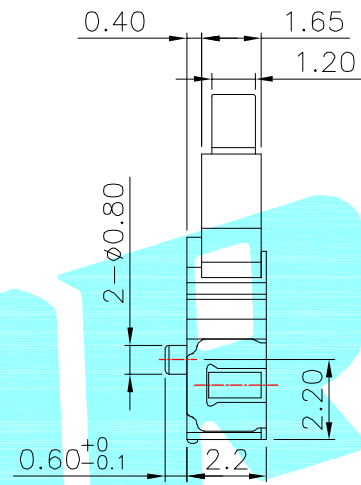
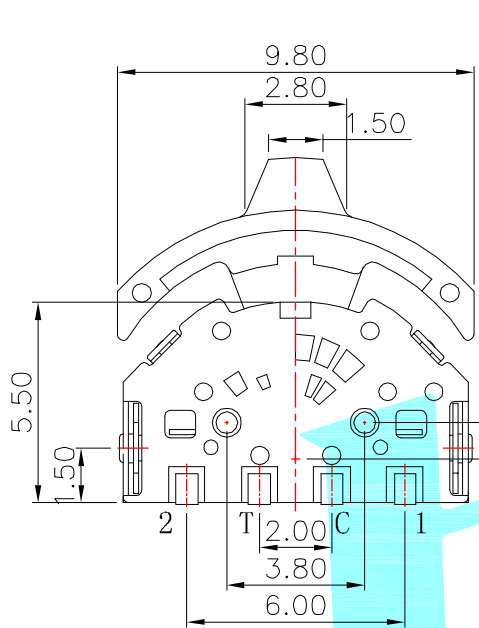
CCW ← → CW

CODE TABLE

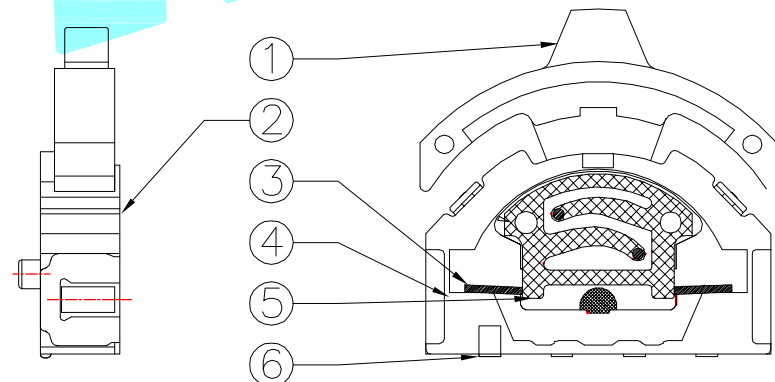


Circuit Diagram

NOTE:
Operating Force:
lever portion 100 ± 30 gf
Push portion 250 ± 50 gf



P.C.B Mounting Pattern Dimension



| ITEM | PART NAME | TER'NO. | QTY. | MATERIAL | FINISHING | REMARK |
|------|-----------|---------|------|--------------|----------------|--------|
| ⑥ | Contact | — | 1 | F.Ag/Brass | — | — |
| ⑤ | Terminal | — | 4 | Brass(0.15t) | Plating silver | — |
| ④ | Base | — | 1 | Nylon | Black | — |
| ③ | Spring | — | 1 | SUS | — | — |
| ② | Cover | — | 1 | SUS | White | — |
| ① | Keystoke | — | 1 | Nylon | Black | — |

| APPROVALS | | DATE | | HRO 株式会社 ELECTRONICS CO.,LTD | | |
|-----------|-----------|-----------|--|---------------------------------|--------------------------|--------------|
| DRAWN | J.X.Zhang | 2015/4/26 | | TITLE: | MULTIFUNCTIONAL SWITCHES | |
| CHECKED | | | | PART NO. | K1-1508SA-03 | |
| APPROVALS | | | | TOLERANCES ARE | ANGLE | UNIT: mm |
| | | | | 30~以上 ±0.30 | ±2' | SCALE: 1:1 |
| | | | | 10~30 ±0.20 | | PROJ: |
| | | | | 5~10 ±0.15 | | DRAWING NO. |
| | | | | ~ 5 ±0.10 | | SHEET 1 OF 1 |

| ECN NO. | REV. | DATE. | DESCRIPTION. | CHANGE. | CHECK. | APPRO. |
|---------|------|-------|--------------|---------|--------|--------|
| — | A | — | NEW | — | — | — |