

isc N-Channel MOSFET Transistor

IXTA5N50P

• FEATURES

- Static drain-source on-resistance:
 $R_{DS(on)} \leq 1.4\Omega @ V_{GS}=10V$
- Fully characterized avalanche voltage and current
- 100% avalanche tested
- Minimum Lot-to-Lot variations for robust device performance and reliable operation

• APPLICATION

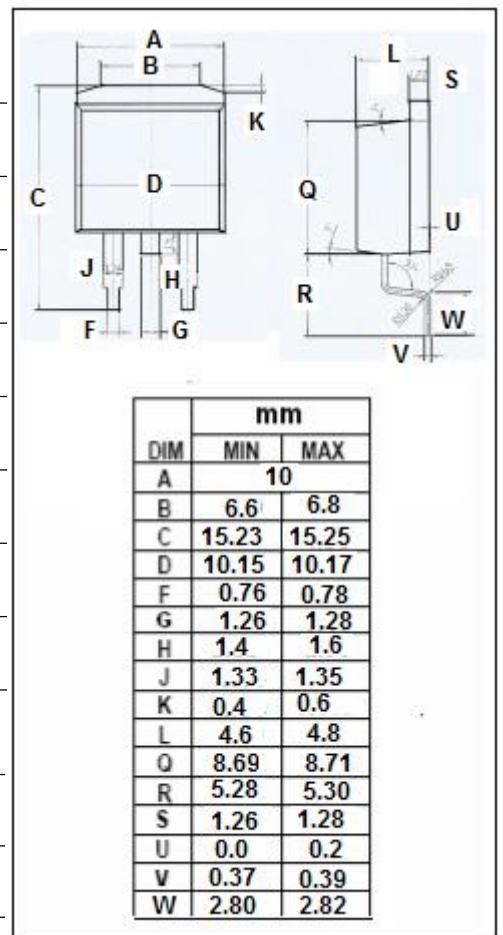
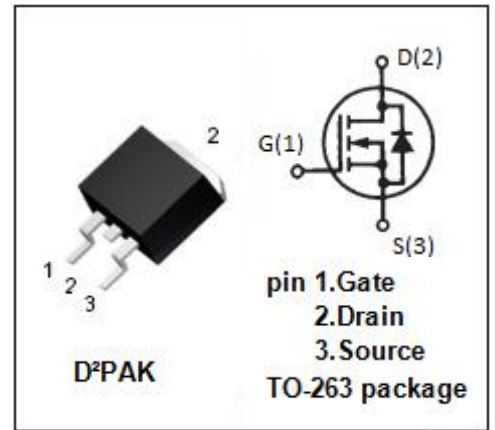
- DC/DC Converter
- Ideal for high-frequency switching and synchronous rectification

• ABSOLUTE MAXIMUM RATINGS($T_a=25^\circ C$)

SYMBOL	PARAMETER	VALUE	UNIT
V_{DSS}	Drain-Source Voltage	500	V
V_{GS}	Gate-Source Voltage	± 30	V
I_D	Drain Current-Continuous	4.8	A
I_{DM}	Drain Current-Single Pulsed	10	A
P_D	Total Dissipation @ $T_c=25^\circ C$	89	W
T_j	Operating Junction Temperature	-55~150	$^\circ C$
T_{stg}	Storage Temperature	-55~150	$^\circ C$

• THERMAL CHARACTERISTICS

SYMBOL	PARAMETER	MAX	UNIT
$R_{th(j-c)}$	Junction-to-case thermal resistance	1.40	$^\circ C/W$



isc N-Channel MOSFET Transistor

IXTA5N50P

ELECTRICAL CHARACTERISTICS

T_C=25°C unless otherwise specified

SYMBOL	PARAMETER	CONDITIONS	MIN	MAX	UNIT
BV _{DSS}	Drain-Source Breakdown Voltage	V _{GS} =0V; I _D = 250 μ A	500		V
V _{GS(th)}	Gate Threshold Voltage	V _{DS} =V _{GS} ; I _D = 50 μ A	3.0	5.0	V
R _{DS(on)}	Drain-Source On-Resistance	V _{GS} =10V; I _D = 2.4A		1.4	Ω
I _{GSS}	Gate-Source Leakage Current	V _{GS} = ±30V; V _{DS} =0V		±100	nA
I _{DSS}	Drain-Source Leakage Current	V _{DS} = V _{DSS} ; V _{GS} = 0V		5	μ A
		V _{DS} = V _{DSS} ; V _{GS} = 0V; T _J = 125°C		50	
V _{SD}	Diode forward voltage	I _F = 4.8A; V _{GS} = 0V		1.5	V

NOTICE:

ISC reserves the rights to make changes of the content herein the datasheet at any time without notification. The information contained herein is presented only as a guide for the applications of our products.

ISC products are intended for usage in general electronic equipment. The products are not designed for use in equipment which require specialized quality and/or reliability, or in equipment which could have applications in hazardous environments, aerospace industry, or medical field. Please contact us if you intend our products to be used in these special applications.

ISC makes no warranty or guarantee regarding the suitability of its products for any particular purpose, nor does ISC assume any liability arising from the application or use of any products, and specifically disclaims any and all liability, including without limitation special, consequential or incidental damages.