

Schottky Barrier Rectifier

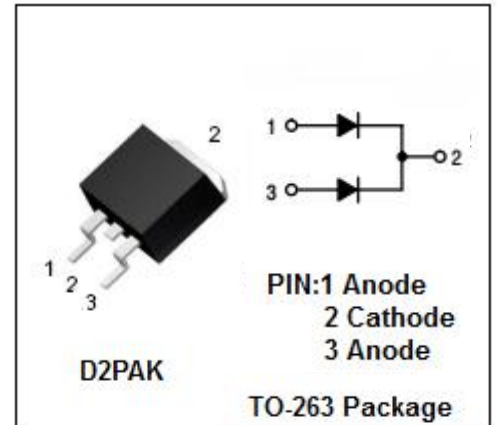
MBRB3045CT

FEATURES

- Low Power Loss/High Efficiency
- High Current Capability, Low Forward Voltage Drop
- High Surge Capacity
- Guarding for Overvoltage protection
- For Use in Low Voltage, High Frequency Inverters, Free Wheeling, and Polarity Protection Applications
- Minimum Lot-to-Lot variations for robust device performance and reliable operation

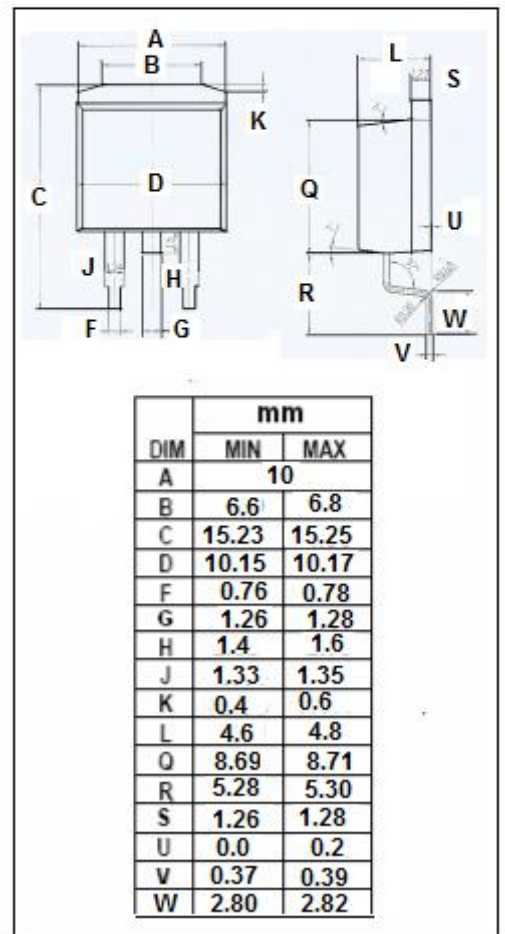
MECHANICAL CHARACTERISTICS

- Case: Epoxy, Molded
- Finish: All External Surfaces Corrosion Resistant and Terminal Leads are Readily Solderable
- High Temperature Soldering Guaranteed: 250°C Max. for 10 Seconds



ABSOLUTE MAXIMUM RATINGS(T_a=25°C)

SYMBOL	PARAMETER	VALUE	UNIT
V _{RRM} V _{RMS} V _R	Peak Repetitive Reverse Voltage RMS Voltage DC Blocking Voltage	45	V
I _{F(AV)}	Average Rectified Forward Current (Per Leg) (Total)	15 30	A
I _{FSM}	Nonrepetitive Peak Surge Current 8.3ms single half sine-wave superimposed on rated load conditions	250	A
I _{RRM}	Peak Repetitive Reverse Surge Current (2μS - 1Khz)	2	A
T _J	Junction Temperature	-65~150	°C
T _{stg}	Storage Temperature Range	-65~150	°C



Schottky Barrier Rectifier

MBRB3045CT

THERMAL CHARACTERISTICS

SYMBOL	PARAMETER	MAX	UNIT
R _{th j-c}	Thermal Resistance, Junction to Case	1.5	°C/W

ELECTRICAL CHARACTERISTICS (Pulse Test: Pulse Width ≤ 300 μs, Duty Cycle ≤ 1%)

SYMBOL	PARAMETER	CONDITIONS	MAX	UNIT
V _F	Maximum Instantaneous Forward Voltage	I _F = 15A ; T _C = 25°C	0.66	V
I _R	Maximum Instantaneous Reverse Current	Rated DC Voltage, T _C = 25°C	50	μA

NOTICE:

ISC reserves the rights to make changes of the content herein the datasheet at any time without notification. The information contained herein is presented only as a guide for the applications of our products.

ISC products are intended for usage in general electronic equipment. The products are not designed for use in equipment which require specialized quality and/or reliability, or in equipment which could have applications in hazardous environments, aerospace industry, or medical field. Please contact us if you intend our products to be used in these special applications.

ISC makes no warranty or guarantee regarding the suitability of its products for any particular purpose, nor does ISC assume any liability arising from the application or use of any products, and specifically disclaims any and all liability, including without limitation special, consequential or incidental damages.