

isc Silicon PNP Power Transistor

MJW21191

DESCRIPTION

- DC Current Gain Specified up to 8.0 Amperes at Temperature
- High SOA: 20 A, 18 V, 100 ms
- TO-3PN Package
- Complement to Type MJW21192
- Minimum Lot-to-Lot variations for robust device performance and reliable operation

APPLICATIONS

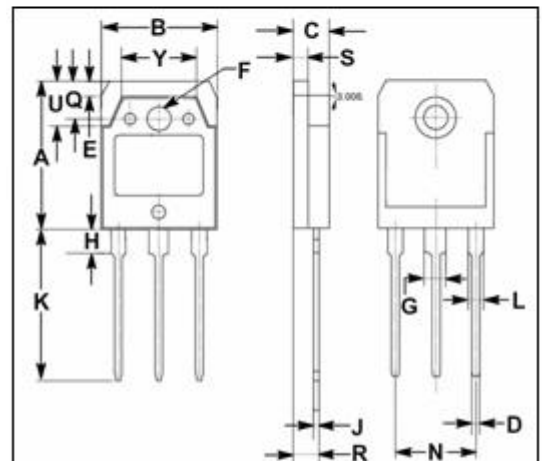
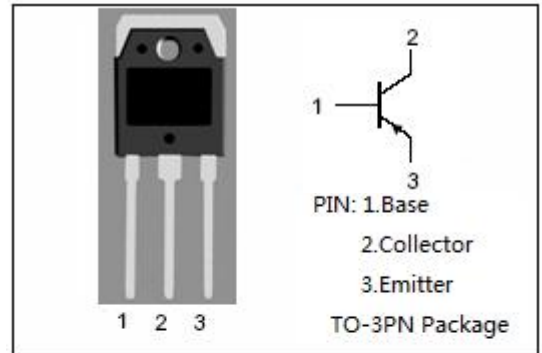
- designed for power audio output, or high power drivers in audio amplifiers applications

ABSOLUTE MAXIMUM RATINGS(T_a=25°C)

SYMBOL	PARAMETER	VALUE	UNIT
V _{CBO}	Collector-Base Voltage	150	V
V _{CEO}	Collector-Emitter Voltage	150	V
V _{EBO}	Emitter-Base Voltage	5	V
I _C	Collector Current-Continuous	8	A
I _{CM}	Collector Current-Pulse	16	A
I _B	Base Current-Continuous	2	A
P _C	Collector Power Dissipation @ T _C =25°C	100	W
T _J	Junction Temperature	150	°C
T _{stg}	Storage Temperature Range	-55~150	°C

THERMAL CHARACTERISTICS

SYMBOL	PARAMETER	MAX	UNIT
R _{th j-c}	Thermal Resistance, Junction to Case	0.65	°C/W
R _{th j-a}	Thermal Resistance, Junction to Ambient	50	°C/W



DIM	mm	
	MIN	MAX
A	19.60	20.30
B	15.50	15.70
C	4.70	4.90
D	0.90	1.10
E	1.90	2.10
F	3.40	3.60
G	2.90	3.20
H	3.20	3.40
J	0.595	0.605
K	19.80	20.70
L	1.90	2.20
N	10.89	10.91
Q	4.90	5.10
R	3.35	3.45
S	1.995	2.100
U	5.90	6.20
Y	9.90	10.10

isc Silicon PNP Power Transistor

MJW21191

ELECTRICAL CHARACTERISTICS

T_c=25°C unless otherwise specified

SYMBOL	PARAMETER	CONDITIONS	MIN	TYP.	MAX	UNIT
V _{CEO(SUS)}	Collector-Emitter Sustaining Voltage	I _C = 10mA ; I _B = 0	150			V
V _{CE(sat)-1}	Collector-Emitter Saturation Voltage	I _C = 4A; I _B = 0.4A			1.0	V
V _{CE(sat)-2}	Collector-Emitter Saturation Voltage	I _C = 8A; I _B = 1.6A			2.0	V
V _{BE(on)}	Base-Emitter On Voltage	I _C = 4A; V _{CE} = 2V			2.0	V
I _{CBO}	Collector Cutoff Current	V _{CB} = 250V; I _E = 0			10	μA
I _{EBO}	Emitter Cutoff Current	V _{EB} = 5V; I _C = 0			10	μA
h _{FE-1}	DC Current Gain	I _C = 4A ; V _{CE} = 2V	15		100	
h _{FE-2}	DC Current Gain	I _C = 8A ; V _{CE} = 2V	5.0			
f _T	Current-Gain—Bandwidth Product	I _E = 1A ; V _{CE} = 10V	4			MHz

NOTICE:

ISC reserves the rights to make changes of the content herein the datasheet at any time without notification. The information contained herein is presented only as a guide for the applications of our products.

ISC products are intended for usage in general electronic equipment. The products are not designed for use in equipment which require specialized quality and/or reliability, or in equipment which could have applications in hazardous environments, aerospace industry, or medical field. Please contact us if you intend our products to be used in these special applications.

ISC makes no warranty or guarantee regarding the suitability of its products for any particular purpose, nor does ISC assume any liability arising from the application or use of any products, and specifically disclaims any and all liability, including without limitation special, consequential or incidental damages.