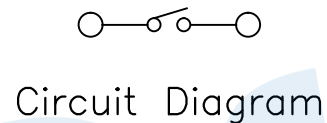
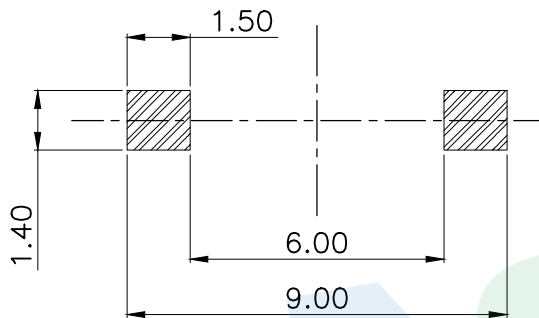
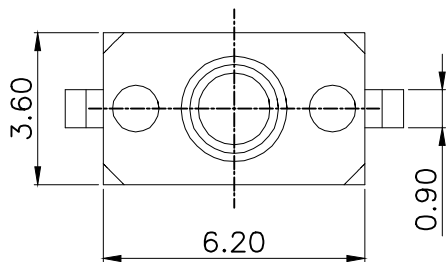
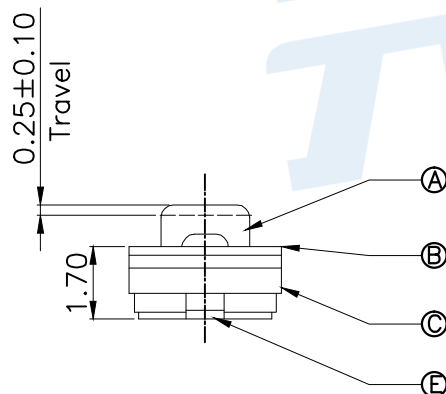
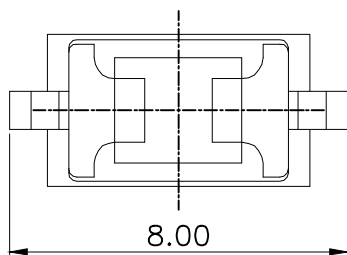
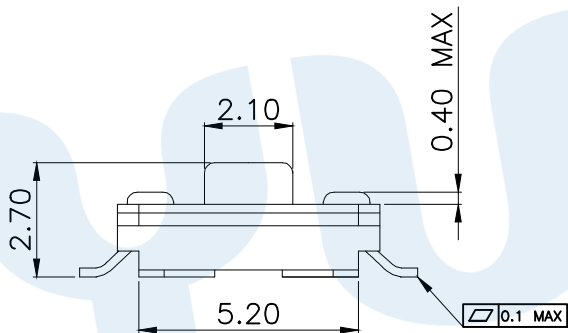


RoHS



PCB Layout(Pattern side)



| SHRAPNEL | |
|----------|--------------|
| CODE | MATERIAL/QTY |
| D2 | SUS/1PCS |
| D4 | SUS/2PCS |

| OPERATING FORCE | |
|-----------------|----------|
| CODE | VIGOR |
| B2 | 180±30gf |
| B3 | 250±30gf |

| NO. | Name | Number | Qty | Materil | Remarks |
|-----|----------|--------|-----|------------|----------------|
| ⑤ | Terminal | 2 | 2 | Brass | Silvering |
| ④ | Contact | 1 | 1 | SUS | Silver covered |
| ③ | Base | 1 | 1 | PPA | Black |
| ② | Cover | 1 | 1 | SUS | Nickel plated |
| ① | Knob | 1 | 1 | Silica gel | Black |

YUANDI® Yuandi Electronics Co, Ltd

| | | | |
|----------|------|------|---------------|
| design | date | name | TACT SWITCHS |
| Review | date | name | TS-1089B-B□D□ |
| Approved | date | name | |

Drawing number: Proportion 1:1 unit mm gage number A4

modify Review Approved Tolerance not specified

| | |
|-------|-------|
| angle | ±2' |
| 10~30 | ±0.30 |
| 5~10 | ±0.20 |
| ~ 5 | ±0.10 |