

[在此处键入]

承认书编号:

# 样品承认书

供 应 商: 深圳市纬视达科技有限公司

品名规格: \_\_\_\_\_

产品编号: \_\_\_\_\_

版 本: V12

日 期: \_\_\_\_\_

| 供应商签署栏 |     |     |       |
|--------|-----|-----|-------|
| 制 定    | 审 核 | 核 准 | 公 司 章 |
|        |     |     |       |

| 客户签署栏  |  |  |     |
|--|--|--|-----|
| 采 购 部  | 技 术 部  | 测 试 部  | 批 准 |
|  | <input type="checkbox"/> 合格 <input type="checkbox"/> 不合格 | <input type="checkbox"/> 合格 <input type="checkbox"/> 不合格 |     |
|  |  |  |     |
| 确认项目: <input type="checkbox"/> 承认规格书一式 5 份 <input type="checkbox"/> 测试报告 <input type="checkbox"/> 样品 PCS |  |  |     |

[在此处键入]

[在此处键入]

备注：本承认书于承认日期当天生效。

| 内 容 CONTENT                    |
|--------------------------------|
| 1、 目的 Target                   |
| 2、 效力 Effect                   |
| 3、 技术参数 Technical parameters   |
| 4、 外观尺寸 Shape and Dimensions   |
| 5、 产品图片 product picture        |
| 6、 外观检验标准 Appearance test      |
| 7、 可靠性测试 Reliability Test      |
| 8、 包装要求 Packaging requirements |
| 9、 其他 Other                    |

1

### 一、目的 (Purpose)

为了全面地描述技术合作中所指的技术规格，通常需要由一整套文件予以表示。作为其中的一部分，本技术规格规定了摄像头模组应达到的特定技术规格，对于该型号货品具有约束力。

For a comprehensive description of technical cooperation referred to the technical specifications, usually a set of documents required by the express. As one part of the technical specifications of the notebook provides ca camera modules mere modules should meet the specific technical specifications for the goods model binding.

### 二、效力 (effect)

如果本规范与该类货品的通用技术规格书中的规格不一致时，以本规格书中的规定为准。

If the norms of such goods with a common technical specifications of the specification book is inconsistent to the specifications book shall prevail.

### 三、技术参数 (Technical parameters)

| 项目 (Items)          | 参数 (Parameters)   |
|---------------------|---|
| 图像传感器 (CMOS)        | 1/4inch   |
| 图像像素 (Image pixels) | 1M 720p   |
| 图像格式 (Image Format) | YUV/MJPG  |
| 数据格式 (Data Format)  | 160*120. 176*144. 352*288<br>320*240. 640*480. 960*540. 1280*720. |
| 镜头 (Lens)           | 2.8MM   |
| 视场角 (Field of view) | 90°   |
| 帧速 (Frame rate)     | 120fps  |

[在此处键入]

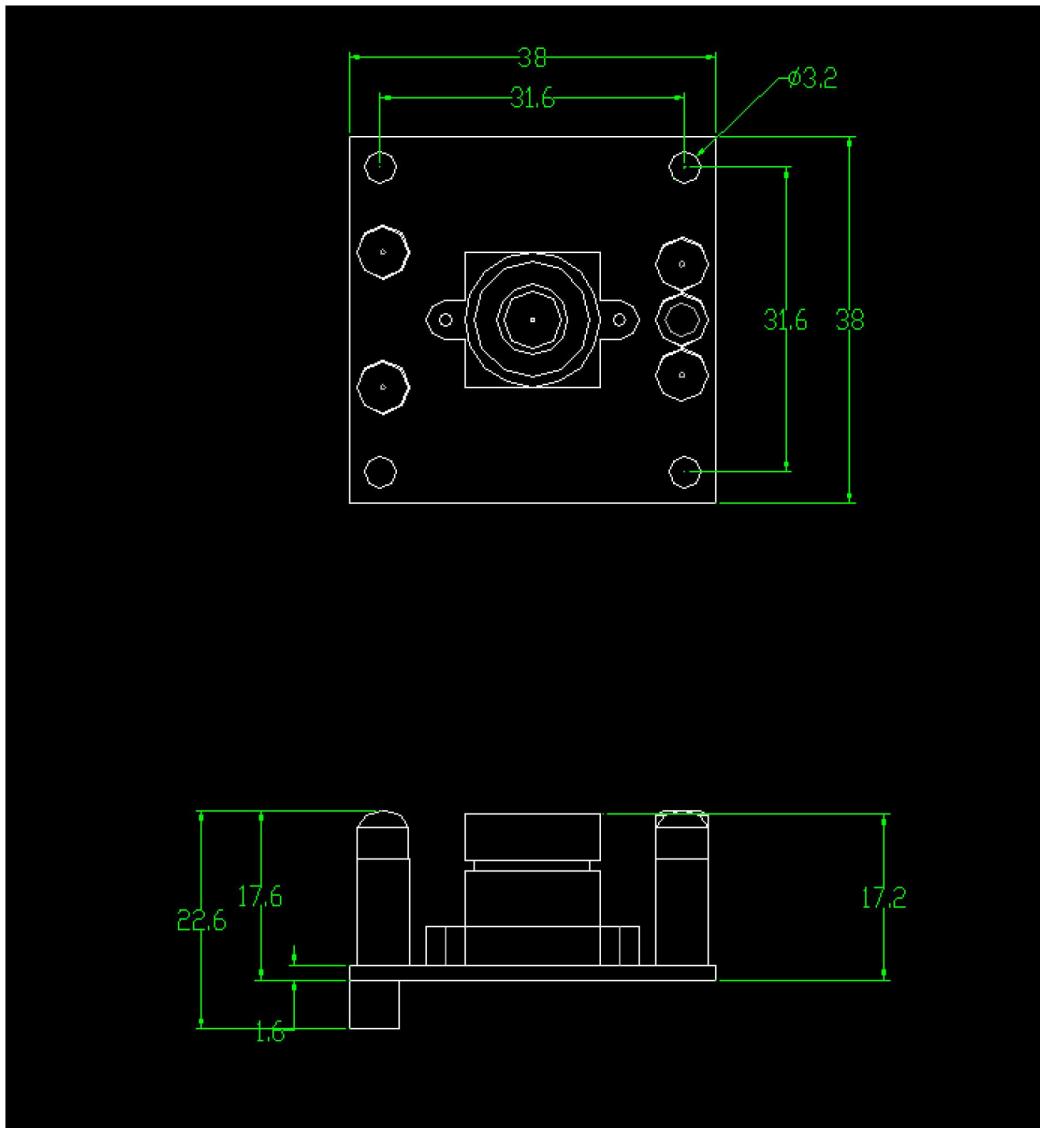
[在此处键入]

|  |   |
|--|---|
| 摄像头控制(camera control)                    | 饱和度 (Saturation), 对比度 (Contrast), 锐度 (acutance)   |
| 白平衡 (White balance)                      | 自动 (auto), 手动 (Manually), Cr、Cb: 要求 (Request) $-12 \leq \text{平均值 (Average)} \leq +12$  |
| 曝光 (exposure)                            | 自动 (auto), 手动 (Manually) (2600-5000K) 亮度平均值 (Average brightness), 要求 (Request) $102 \leq \text{亮度值 (Average brightness)} \leq 166$  |
| 睡眠电流 (sleep model current)               | <10 mA  |
| 工作电流 (working current)                   | <200 mA   |
| 储存温度 (Storage Temperature)               | -20° C to +85° C  |
| 工作温度 (working Temperature)               | -20° C to +85° C  |
| 驱动标准 (Drivers standard)                  | WDM driver WIA Drivers TWAIN Drivers  |
| 兼容系统<br>(system compatibility)           | 1、 windows XP Professional SP2 or SP3<br>2、 windows Vista<br>3、 windows 7, 8,10<br>4、 Android<br>5、 Linux with UVC driver (open source available at <a href="http://linux-uvc.berlios.de">http://linux-uvc.berlios.de</a> ) |
| 待机热启动电脑<br>(Cold-start standby computer) | windows XP (SP2 or SP3), windows 7, 8,10,Linux  |
| 待机热启动电脑<br>(Hot-start standby computer)  | windows XP (SP2 or SP3) ,windows 7, 8,10,Linux  |
| 接口方式 (interface mode)                    | USB2.0/3.0  |
| 工作电压 (operating voltage)                 | DC5V  |

**四, 模组镜头外观尺寸 Shape and Dimensions:**

[在此处键入]

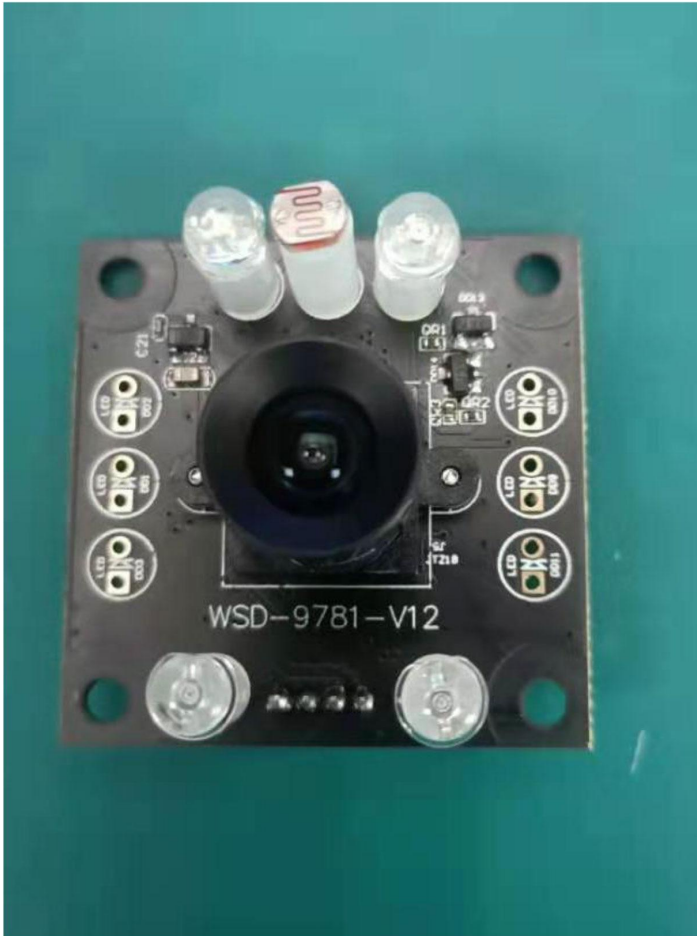
[在此处键入]



[在此处键入]

[在此处键入]

## 五、产品图片 product picture



## 六、外观检验标准 (Appearance test standard)

(一) 外观表面定义:( The appearance of the definition)

1. 摄像头模组的外观 (Notebook camera appearance)

(二) 检验方法:( Test methods)

1. 人员: 外观检查人员需经过培训并且辨色能力正常, 其视力应达到 1.0 以上(矫正后达到 1.0 以上亦可), 辨色能力应可通过标准测试。

Staff: The appearance of the inspectors to be trained and the capacity of normal color vision, Its vision to achieve more than 1.0 (after correction can also be reached more than 1.0), Color vision capability should be available through standard tests.

2. 距离和时间: 观察距离为 50 ~ 75cm, 观察时间为每个表面 3 ~ 5 秒。

Distance and Time: Observation distance: 50 ~ 75cm,  
Observation time for each surface: 3 ~ 5seconds

3. 检验环境: 外观检验应在不刺目的荧光灯下检查, 其最低照度应在 100 尺烛光亮度以上, 或者是 60W 日光灯, 1.5m 距离下检验。

Test environment: Appearance inspection should not be under the glare of the

[在此处键入]

[在此处键入]

fluorescent lamp examination, Its Minimum illumination should be above the brightness of 100 feet candle light vigil.

4. 观察角度：观察角度在 80 ~ 100 之间。

Observation angle: Observation angle between 80 ~ 100.

(三) 接受标准 (Accept criteria)

1. 清洁程度：部件必须无污点、无尘、无油脂及无其它污迹。由于运输材料造成的污迹如果能够吹去或抹去则是可以接受的。

Cleanliness: Components must be spotless, dust-free, grease free and free of other stains. Contamination caused by transport materials is acceptable if it can be blown away or erased.

2. 装配表面：需装配的零部件应避免有划痕、凿痕、凹痕、弯折、破裂、压痕、擦伤或其它因不当装配所引起的缺陷。

Assembly surface: Assembly of parts and components required to have scratches should be avoided, dent, bend, break down, Indentation, scratches or other improper assembly defects.

### 七、可靠性测试 (Reliability Test)

| 项目 Items                               | 条件 Condition   | 规格 Specification         |
|--|--|--------------------------|
| 高温实验<br>High Temperature Test          | 温度(Temp): 70°C<br>时间(Time): 24H  | 无异常 No abnormal          |
| 低温实验<br>Low Temperature Test           | 温度(Temp): -20°C<br>时间(Time): 24H   | 无异常 No abnormal          |
| 湿度实验<br>Humidity Test                  | 温度(Temp): 70°C<br>湿度(Humidity): 80-85%<br>时间(Time): 24H  | 无异常 No abnormal          |
| 镜头座拉力实验<br>Cable Tensile Strength Test | 荷重: 4KG<br>持续时间: 60 秒  | 无异常 No abnormal          |
| 跌落测试 (单体)<br>Drop Test                 | 高(High): 60CM<br>回数: 10 次<br>木板上   | 电性能正常<br>Electric normal |
| 跌落测试 (整箱)<br>Drop Test                 | 高(High): 60C<br>一角三边六面<br>木板上  | 电性能正常<br>Electric normal |
| 震动测试 (单体)<br>Vibration Test            | 1. 震动机的震动频率调至 50Hz;<br>Vibration machine vibration frequency to 50Hz<br>2. 震动幅度 1.5MM;<br>Vibration amplitude 15MM;<br>3. 震动时间 Vibration time 30 Minutes | 电性能正常<br>Electric normal |
| 弯曲实验<br>Bending Test                   | 用弯曲测试治具将 PCBA 弯曲 10 度 Bend PCBA 10 degrees with bending test tool  | 电性能正常<br>Electric normal |

[在此处键入]

[在此处键入]

|                           |           |                          |
|---------------------------|-----------|--------------------------|
| USB 拔插实验<br>USB connector | 回数：2500 回 | 电性能正常<br>Electric normal |
|---------------------------|-----------|--------------------------|

#### 八. 包装要求(Packing Request)

- 1、产品应严格根据产品特点制定相应的包装标准并遵照执行，以保证产品规定使用和储存期内，达到防静电、防湿、防震、防霉、防野蛮装卸等标志及相关保质要求。

Products should be strictly in accordance with the characteristics of the development of the corresponding Product packaging standards and in compliance with the implementation, guarantee the use and storage of products during the period, reaching anti-static, moisture, shock-proof, mildew, anti-barbaric handling related signs and shelf-life requirements.

- 2、产品外包装上应标明：供方名称/标志、产品型号规格、内装数量、生产日期/批号和定单号。

The outer packing of the product shall be marked: Supplier's name/label, Product Type Specifications, Quantity Inside, Date of Production / Lot Number and Order Number.

- 3、包装及装箱方案依据客户要求，由双方协商具体细节，以封样为准。

Packaging and packing programs based on customer requirements, specific details of consultations by both parties, to finished products as the standard.

#### 九. 其它(Others)

1. 本承认书的更改需经双方确认，任何一方单独修改无效。

The recognition of the need to change the book recognized by both parties, either party to amend a separate as null and void.

2. 本承认书在客户收到的七个工作日内，必须签章返回，逾期视为默认。

Admit in the book the customer received within seven working days, must return signature, late regarded as the default

[在此处键入]