



| REV. | ECN NO OR DESCRIPTION | REVISED | DATE |
|------|-----------------------|---------|------|
| | | | |
| | | | |

NOTES:

1.MATERIAL:

1.1 Housing:PBT ,UL94-HB

1.2 terminals:Copper Alloy

Gold plated in contact area:

Tin 40u"min plated in termination

Nickel Plated overall

1.3 Shell:SPCC t=0.30mm,

Nickel 40u"min Plated overall

2.ELECTRICAL CHARACTERISTICS:

2.1 Rating Current :1.5 Ampere

2.2 Rating Voltage :30 V Max

2.3 Contact Resistance:30 Milli ohms

2.4 Insulation Resistance:1000 Mega ohms Min.

3.MECHANICAL CHARACTERISTICS:

3.1 Connector Mating force: 35N MAX(3.57Kgf)

3.2 Connector Unmating force:10N min(1.02Kgf)

3.3 Durability:1500Cycles.

4.ENVIRONMENT CHARACTERISTICS:

4.1 Operating temperature:-0℃ to +50℃

4.2 Storage temperature:-20℃ to +60℃

A

B

C

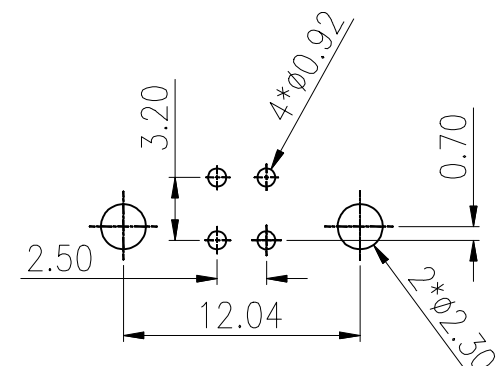
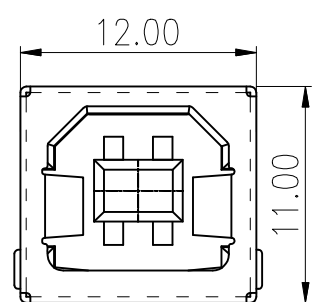
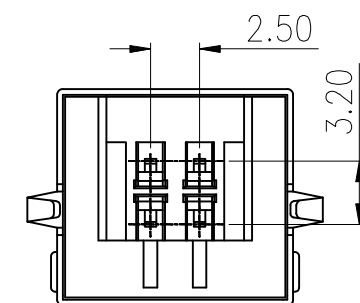
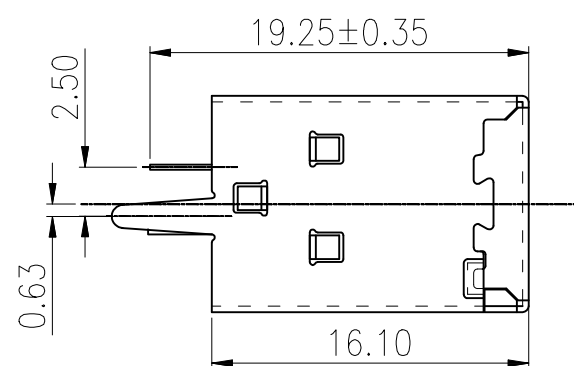
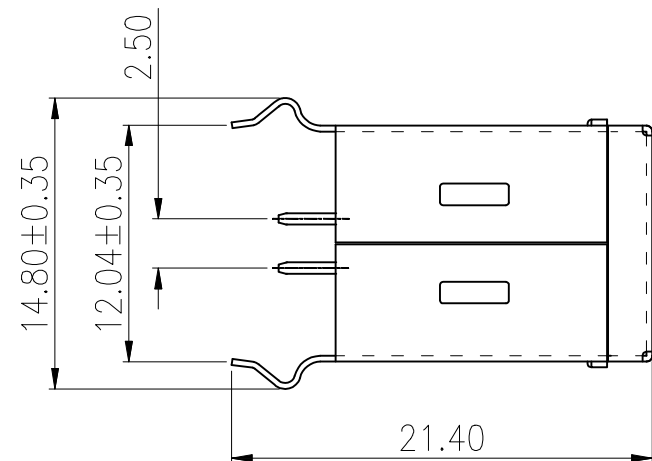
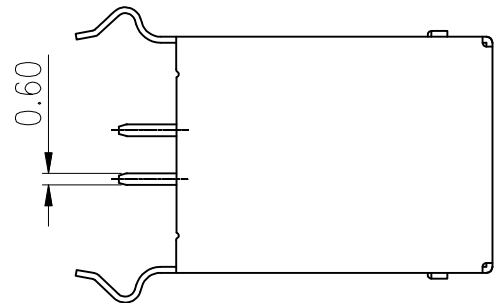
D

A

B

C

D



PCB.LAYOUT

UNLESS OTHERWISE SPECIFIED TOLERANCES

DECIMALS: X :±0.30 X.X :±0.20 X.XX :±0.10
 ANGLES: X :±2° X.X :±1°



东莞市汉博电子科技有限公司
 DONGGUAN HANBO TECHNOLOGY CO., LTD

| | | | |
|---------|-------------|-----------------------|-------------|
| TITLE | USB BF 180度 | | |
| DWN | xiong | PART NO. USB-U201-BWS | |
| CHKD | lee | SCALE:1:1 | UNIT: mm |
| APVD | wang | SIZE: A4 | SHEET:1OF 1 |
| REV: A4 | | | |

CUSTOMER COPY

1

2

3

4

5

6