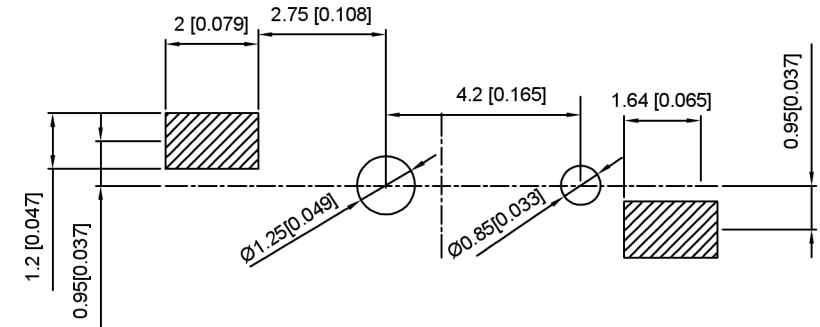
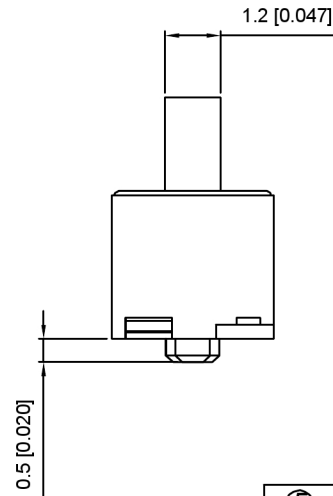
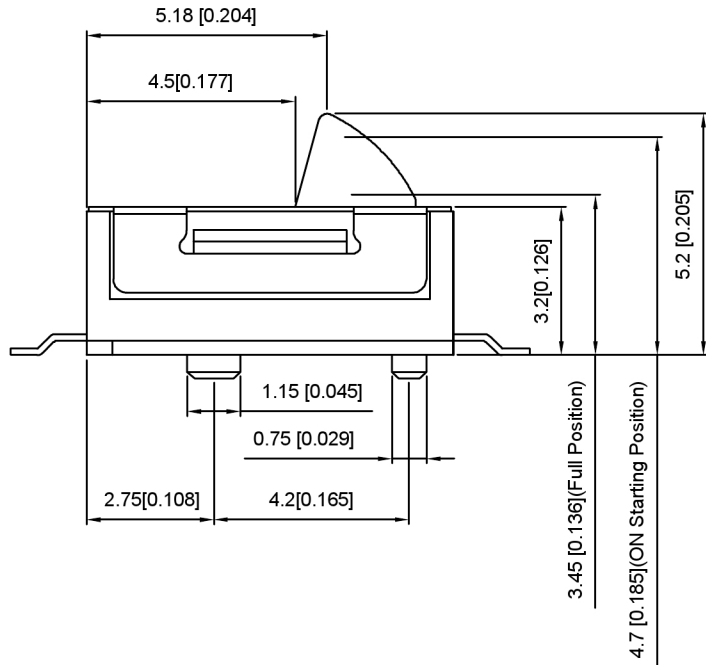
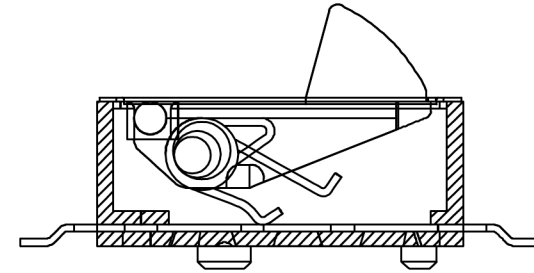


Circuit Diagram



PCB Layout (Pattern side)

⑤	Contact Spring	—	1	Phosphor Bronze	Plating silver	—
④	Terminal	—	2	Phosphor Bronze	Plating silver	—
③	Base	—	1	Lcp		—
②	Cover	—	1	Sus	Natural	—
①	Keystake	—	1	Nylon		—
ITEM	PAPT NAMF	TER,NO	QTY	MATERIAL	FINISHING	REMARK

广东星坤科技股份有限公司

日期

文件工程章

REVISIONS	DATE	REVISED	APPROVED	DESCRIPTION

ANGLAR	±5°	XKIB	DSND		SCALE: N/A	MODEL TYPE: DETECT SWITCH		
L ≤ 4	±0.2		DWN		VIEW:	PART NO.: TM-8763		
4 < L ≤ 16	±0.3		CHKD		UNIT: mm/in	DWG NO.:		
16 < L ≤ 63	±0.4		APPD		SIZE: A4			
L > 63	±0.5							
UNSPECIFIED TOLERANCES			XKB INDUSTRIAL PRECISION CO., LIMITED			WEIGHT	SHEET	REVISI
							1/1	A0