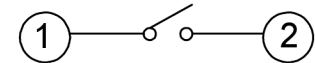
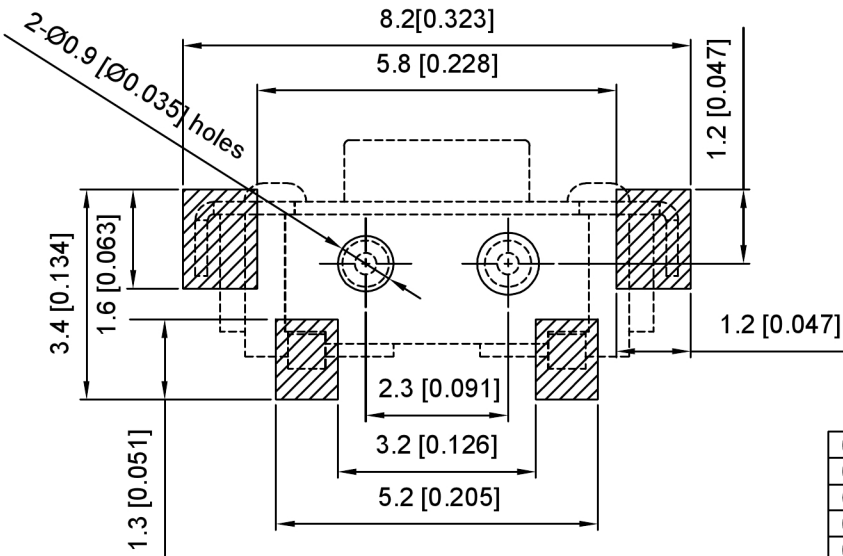
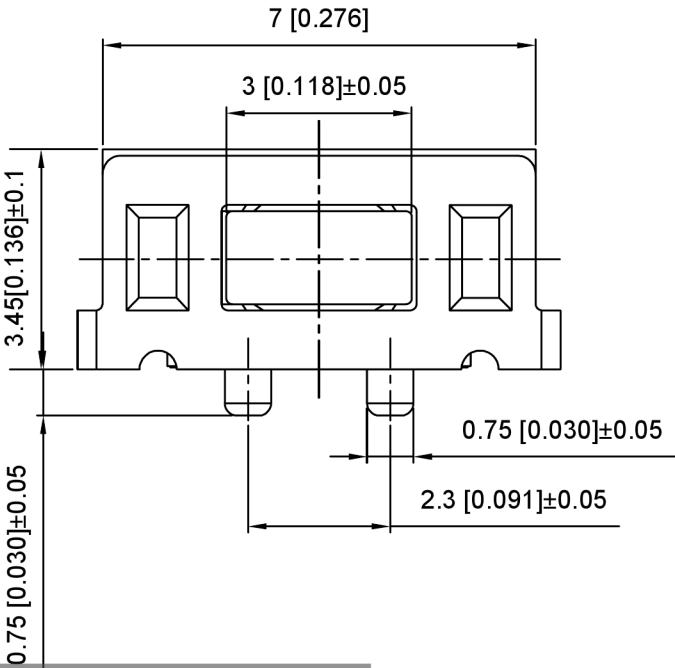


CIRCUIT DIAGRAM



SPECIFICATION
 Contact Rating: 50mA, 12V DC
 Contact Resistance: 100mΩ max
 Insulation Resistance: 100MΩ min. 500V DC
 Dielectric Strength: 250V AC/1 minute
 Travel: 0.25mm
 Operating Temp: -25°C ~ +70°C
 Storage Temp: -30°C ~ +80°C



PAPT NO	TS-1101VS-X-X-A
Operating Force	A:100gf B:160gf C:260gf
Height	H:3.5
Fixed column	A:With B:without
Keystake	A:PA46 B:Silica gel

⑤	Terminal	2	Brass (0.30t)	ag Plated		
④	Contact	1	F.ag/SUS			
③	Base	1	PA46			
②	Cover	1	Brass	Tin plated		
①	Keystake	1	PA46			
ITEM	PAPT NAMF	TER,NO	QTY	MATERIAL	FINISHING	REMAR

广东星坤科技股份有限公司
 日期
 文件工程章

REVISIONS	DATE	REVISED	APPROVED	DESCRIPTION
ΔX				
ΔX				
ΔX				
MARK				



DSND	SCALE: N/A	MODEL TYPE: TACT SWITCH
DWN	VIEW:	PART NO.: TS-1101VS-X-X-A
CHKD	UNIT: mm/in	DWG NO.:
APPD	SIZE: A4	
XKB INDUSTRIAL PRECISION CO., LIMITED		WEIGHT
		SHEET
		REVISIC
		1/1
		A0