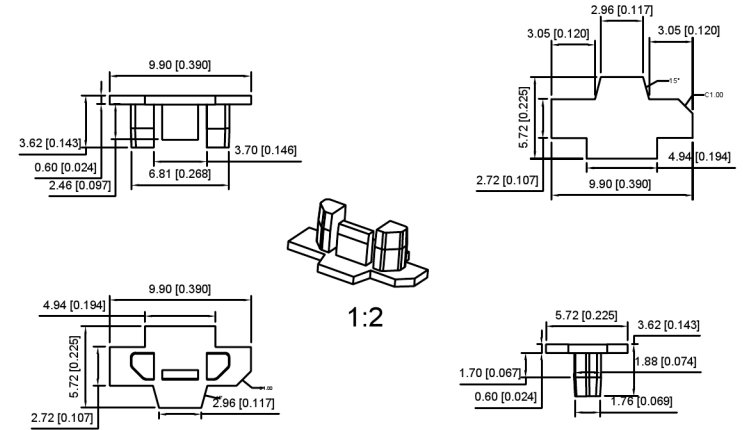
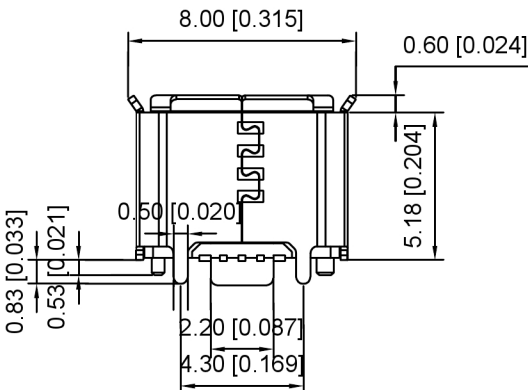
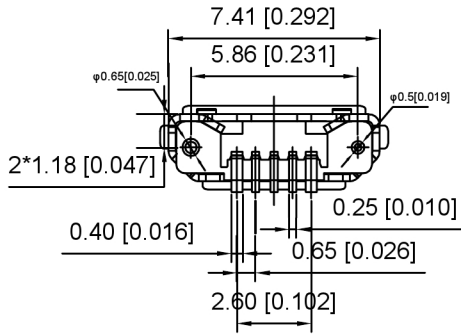
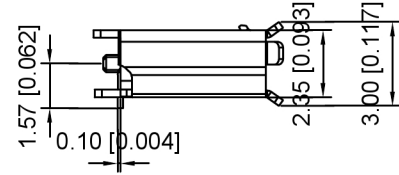
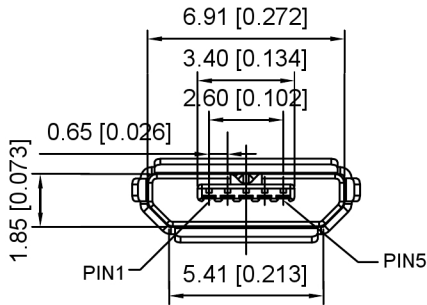


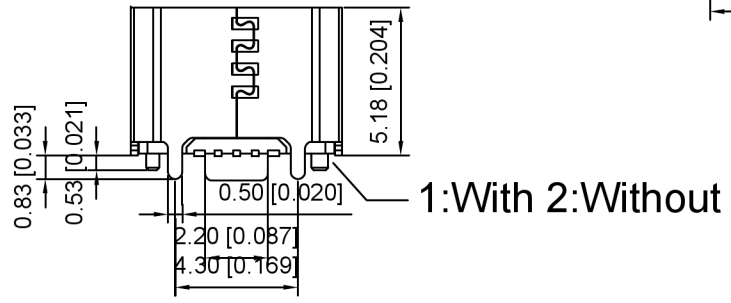
RECOMMENDED PCB LAYOUT



Material  
 Housing Material: LCP, UL94V-0, black  
 Contact Terminal: Copper Alloy  
 Metallic Shell: Sus  
 Electrical  
 Voltage Rating: 30 V AC  
 Current Rating: Signal (Pins 2,3,4): 1.0A, Power (Pins 1,5): 3A  
 Contact Resistance: 30mΩ Max  
 Insulation resistance: 1000MΩ Min  
 Dielectric withstanding voltage: 250V AC/Minute  
 Mechanical  
 Durability: 3,000 cycles  
 Mating Force: 35N (3.57Kgf) Max  
 Unmating Force: 8N (0.82Kgf) Min.



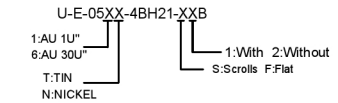
Scrolls (S)



Flat(F)

1:With 2:Without

Contact Number	Signal Name	Remarks
1#	VBUS	Power
2#	D-	Date-
3#	D+	Date+
4#	ID	Reserve or Gound
5#	GEN	Gound



广东星坤科技股份有限公司

ΔX	日期
ΔX	日期
ΔX	日期
MARK	DESCRIPTION

文件工程章

REVISIONS	DATE	REVISED	APPROVED	UNSPECIFIED TOLERANCES
				ANGLAR ±5°
				L ≤ 4 ±0.2
				4 < L ≤ 16 ±0.3
				16 < L ≤ 63 ±0.4
				L > 63 ±0.5



XKB INDUSTRIAL PRECISION CO.,LIMITED

DSND	SCALE: N/A	MODEL TYPE: MICRO USB
DWN	VIEW:	PART NO.:
CHKD	UNIT: mm/in	DWG NO.:
APPD	SIZE: A4	U-E-05XX-4BH21-XXB
	WEIGHT	SHEET
		1/1
	REVISIOI	A0