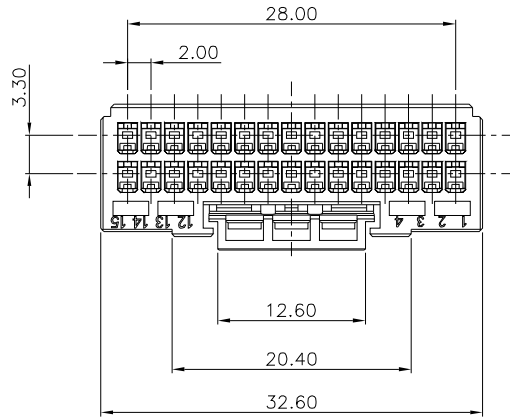


**HF**  
Halogen Free

| REV. | ECN NO. | LOCATION | DESCRIPTION     | DATE       | DESIGN    |
|------|---------|----------|-----------------|------------|-----------|
| X1   |         |          | INITIAL RELEASE | 2022.08.15 | tanghaibo |
| X2   |         | ①/②      | 增加 DATECODE     | 2022.11.03 | tanghaibo |



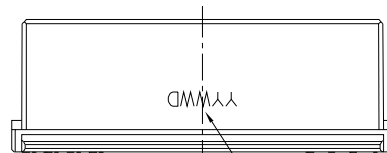
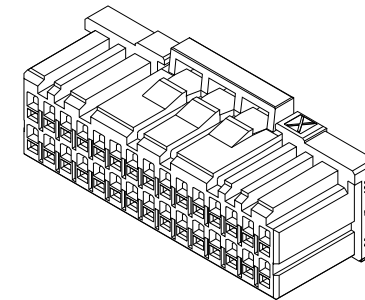
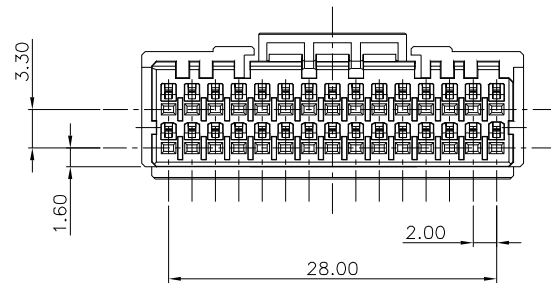
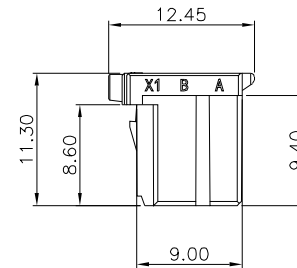
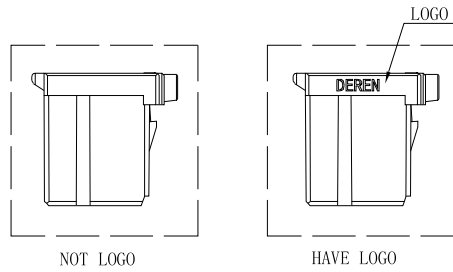
NOTES:

1. MATERIAL: HIGH TEMPERATURE THERMOPLASTIC UL94V-0
2. THE SHAPE, SIZE AND POSITION OF THE CHARACTER SHOW THE OUTLINE. THEY DON'T SHOW DETAILS.
3. THE SYMMETRIC WITH "X"
4. PART NUMBER: SEE TABLE
5. DATECODE: YYWWDD  
 YY: YEAR(22:2022)  
 WW: WEEK(25:THE 25TH WEEK)  
 D: DAY(1~7:SUNDAY~SATURDAY)

PART NUMBER INFORMATION:

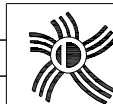
560WBG-001H\*\*\*00000

- RESERVE NUMBER
- PACKAGE CODE:  
 T: TRAY PACKING  
 P: TUBE PACKING  
 B: BAG PACING
- LOGO:  
 1: WITH DEREN LOGO  
 2: WITHOUT LOGO
- HOUSING COLOR:  
 1: BLACK  
 2: WHITE



DATECODE

| DIM | TOL   | DIM | TOL |
|-----|-------|-----|-----|
| x.  | ±0.30 | x.  | ±5' |
| .x  | ±0.30 | .x  | ±3' |
| .xx | ±0.30 |     |     |



**DEREN**  
SHENZHEN DEREN ELECTRONIC CO., LTD

| CUSTOMER DRAWING |           | DATE       | TITLE: WTB Female 30P HSG |
|------------------|-----------|------------|---------------------------|
| DESIGN:          | tanghaibo | 2022.11.03 | P/N: 560WBG-001H***00000  |
| CHECK:           |           |            | SHEET: 1/1                |
| REV. X2          | APPROVAL: |            | SCALE: 1:1 UNIT: mm       |