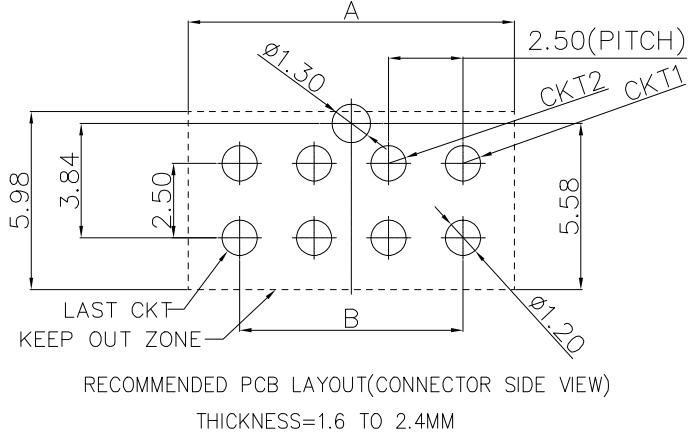
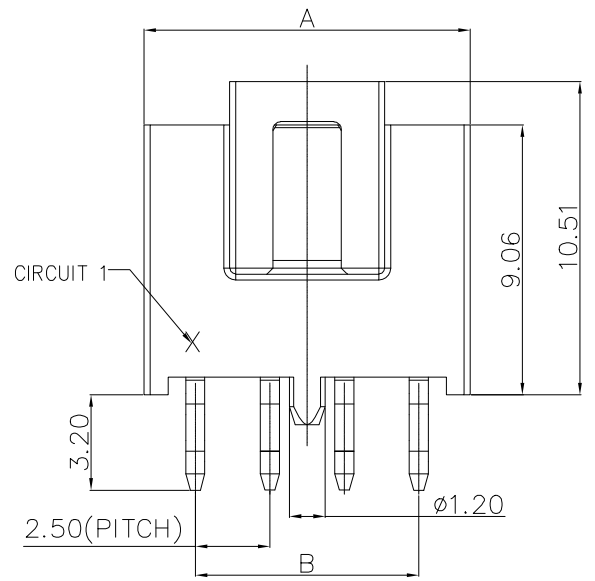
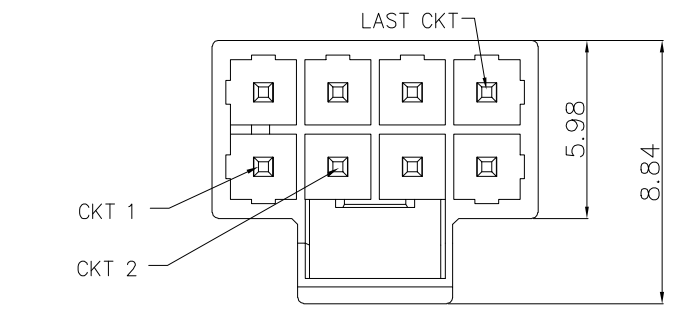
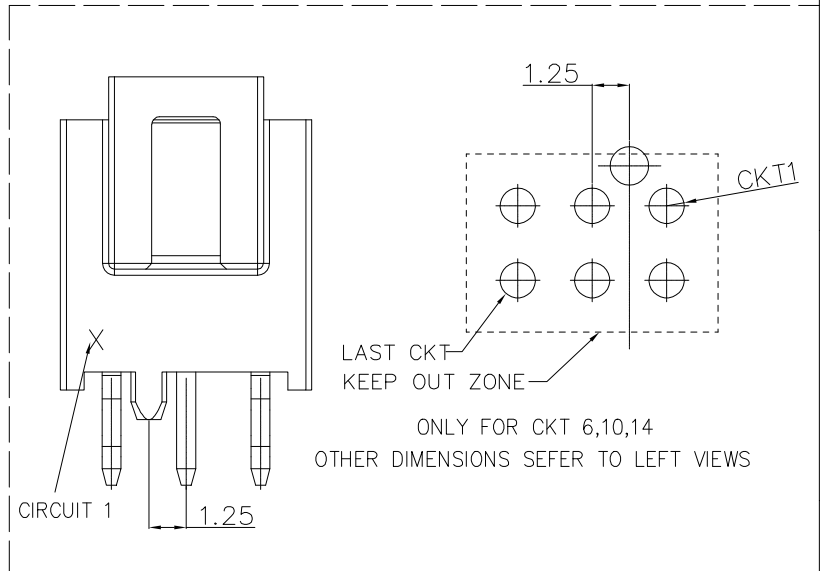
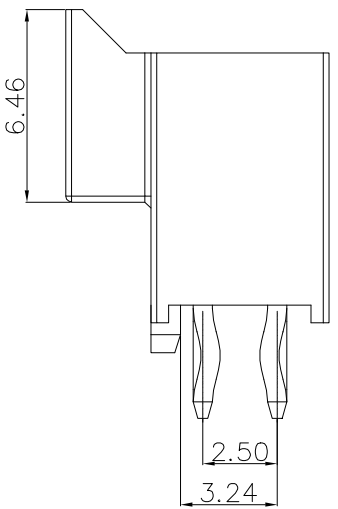
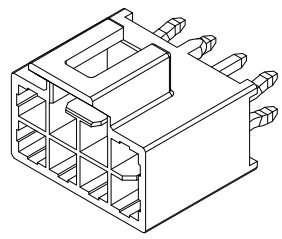


REV.	ECN NO.	LOCATION	DESCRIPTION	DATE	DESIGN
1			INITIAL RELEASE	2018.01.10	Alex_Z

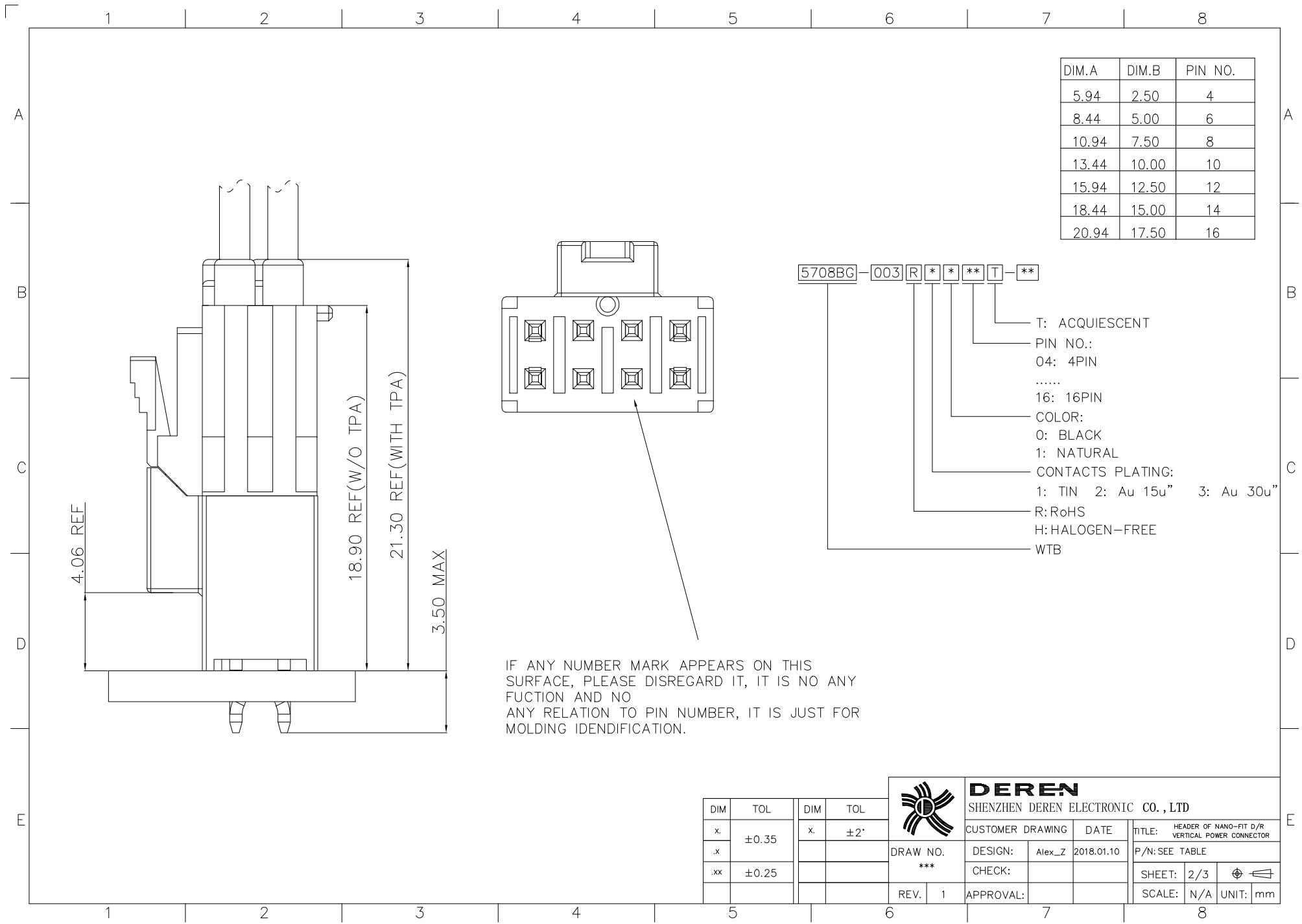
NOTES:
 PRODUCT MEETS CONTROLLED SUBSTANCES SPEC.
 1. MATERIAL:
 1.1 HOUSING: LCP.
 1.2 TERMINAL: BRASS
 2. FINISH:
 2.1 CONTACT:
 GOLD PLATING(SEE DESCRIPTION) ON CONTACT AREA.
 80u" MIN. MATTE-TIN PALTING ON SOLDER TAIL AREA.
 50u" MIN. NICKEL UNDERPLATING OVERALL.



DIM	TOL	DIM	TOL
.x	± 0.35	.x	$\pm 2'$
.x			
.xx	± 0.25		



DEREN		SHENZHEN DEREN ELECTRONIC CO., LTD	
CUSTOMER DRAWING	DATE	TITLE: HEADER OF NANO-FIT D/R VERTICAL POWER CONNECTOR	
DESIGN: Alex_Z	2018.01.10	P/N: SEE TABLE	
CHECK:		SHEET: 1/3	
REV. 1	APPROVAL:	SCALE: N/A UNIT: mm	



DIM.A	DIM.B	PIN NO.
5.94	2.50	4
8.44	5.00	6
10.94	7.50	8
13.44	10.00	10
15.94	12.50	12
18.44	15.00	14
20.94	17.50	16

5708BG-003R**T**

- T: ACQUIESCENT
- PIN NO.:
04: 4PIN
.....
16: 16PIN
- COLOR:
0: BLACK
1: NATURAL
- CONTACTS PLATING:
1: TIN 2: Au 15u" 3: Au 30u"
- R: RoHS
- H: HALOGEN-FREE
- WTB

IF ANY NUMBER MARK APPEARS ON THIS SURFACE, PLEASE DISREGARD IT, IT IS NO ANY FUCTION AND NO ANY RELATION TO PIN NUMBER, IT IS JUST FOR MOLDING IDENTIFICATION.

DIM	TOL	DIM	TOL
.x	±0.35	x.	±2'
.x			
.xx	±0.25		



DEREN
SHENZHEN DEREN ELECTRONIC CO., LTD

CUSTOMER DRAWING	DATE	TITLE: HEADER OF NANO-FIT D/R VERTICAL POWER CONNECTOR
DESIGN: Alex_Z	2018.01.10	P/N: SEE TABLE
CHECK:		SHEET: 2/3
REV. 1	APPROVAL:	SCALE: N/A UNIT: mm

1 2 3 4 5 6 7 8

A

A

B

B

C

C

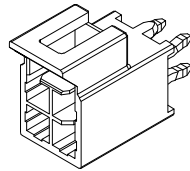
D

D

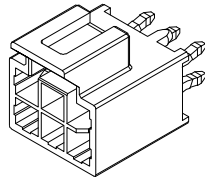
E

E

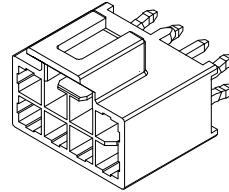
4 PIN



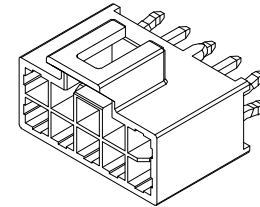
6 PIN



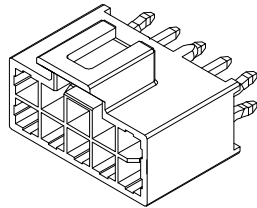
8 PIN



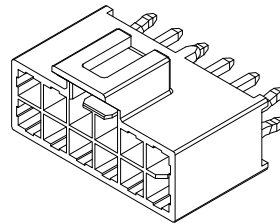
10 PIN



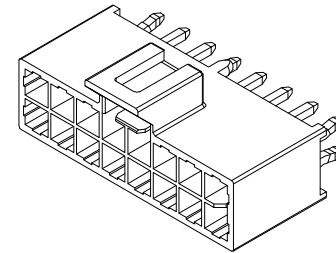
12 PIN



14 PIN



16 PIN



1 2 3 4 5 6 7 8

DIM	TOL	DIM	TOL
.x	±0.35	.x	±2'
.x			
.xx	±0.25		



DEREN
SHENZHEN DEREN ELECTRONIC CO., LTD

DRAW NO. ***	DESIGN:	Alex_Z	DATE	2018.01.10	TITLE: HEADER OF NANO-FIT D/R VERTICAL POWER CONNECTOR
	CHECK:				
REV.	1	APPROVAL:			P/N: SEE TABLE
					SHEET: 3/3
					SCALE: N/A UNIT: mm

