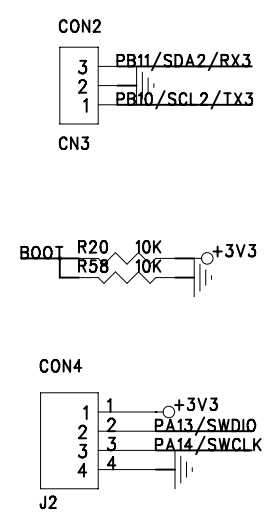
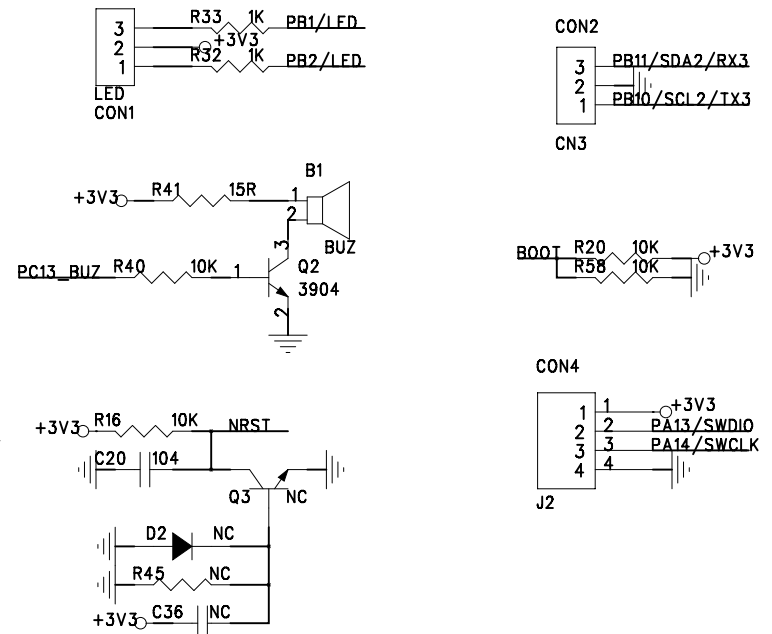
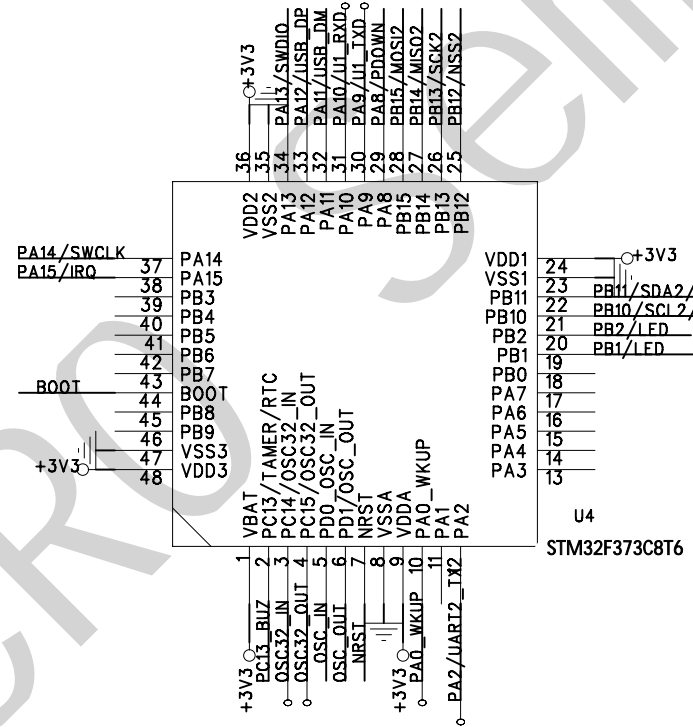
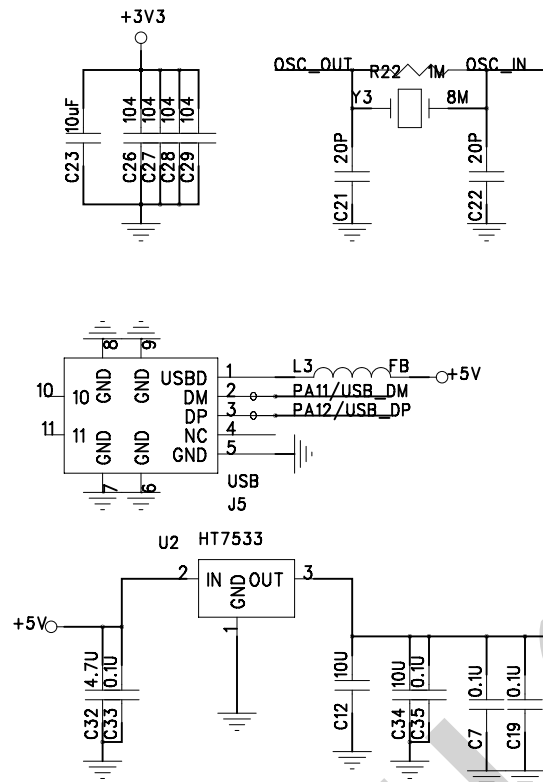
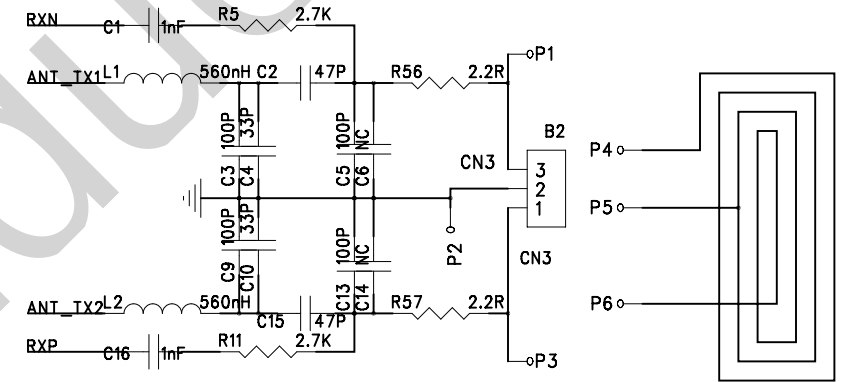
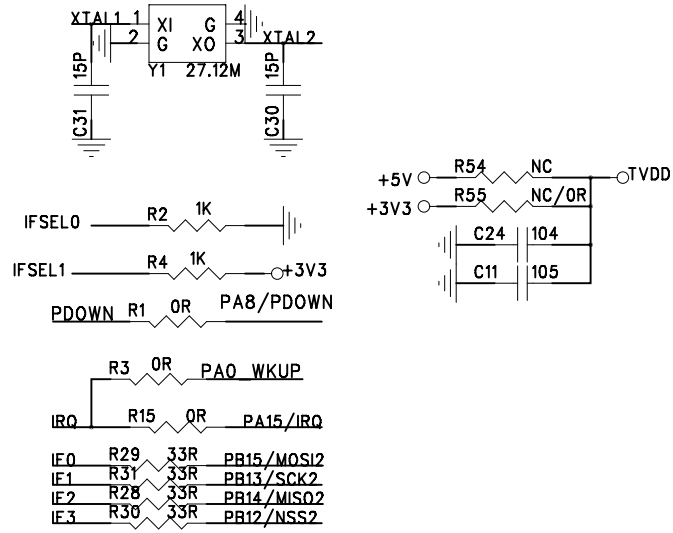
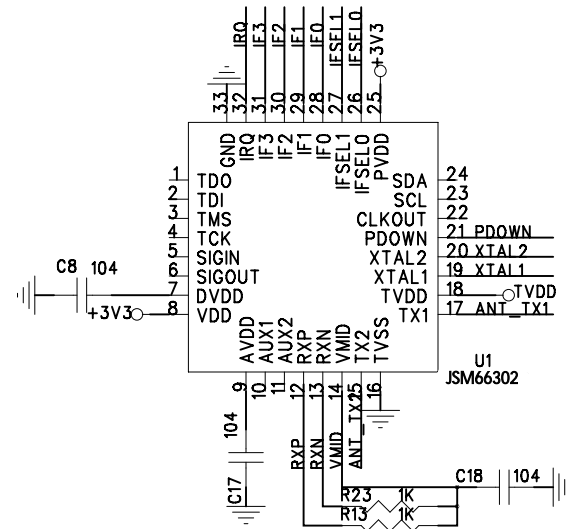


PIN	FUN	Uart	SPI	I2C	I2CL
26	IFSELO	0	0	1	1
27	IFSEL1	0	1	0	1
28	IF0	RX	MOSI	ADR1	ADR1
29	IF1	-	SCK	SCL	SCL
30	IF2	TX	MISO	ADR2	SDA
31	IF3	1	NSS	SDA	ADR2



Title	MM32L3x2_JSM66302	
Size	Document Number	Rev
B		0.1
Date:	Wednesday, April 25, 2018	Sheet 1 of 1