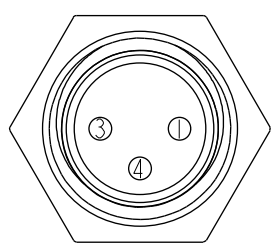
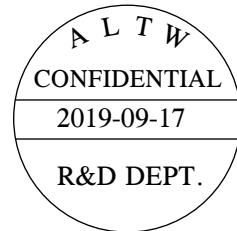
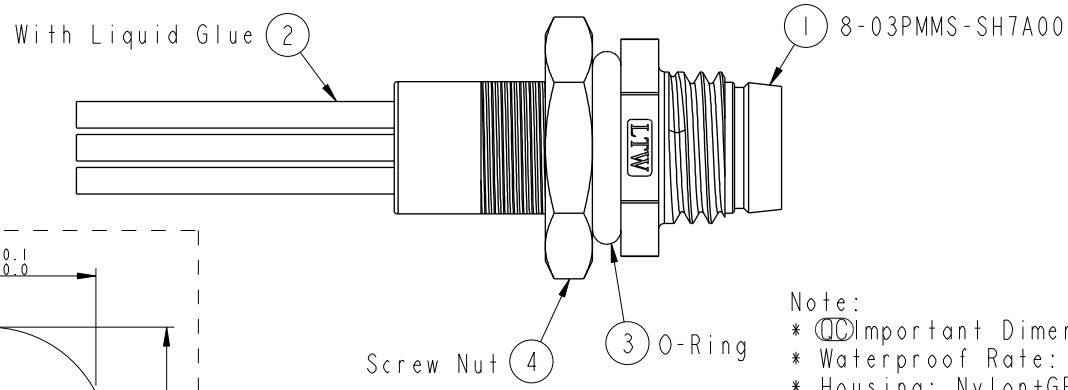
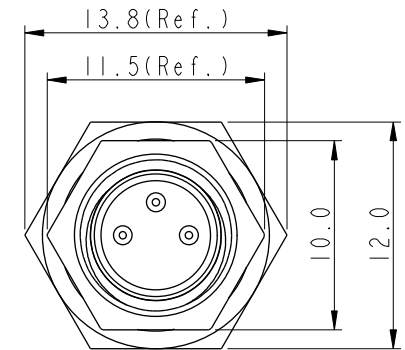
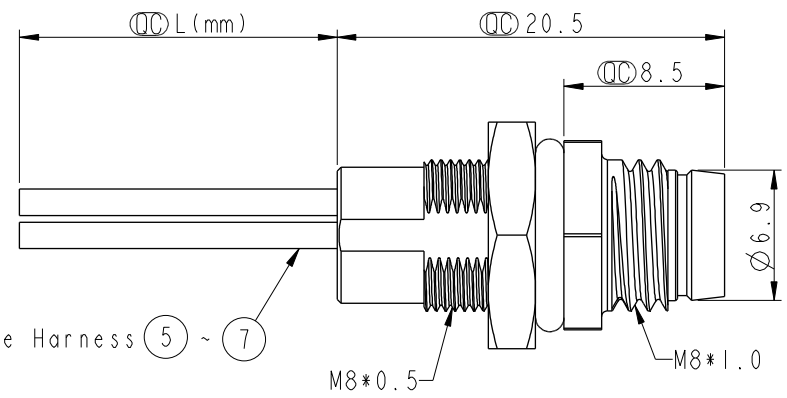


THIS DOCUMENT IS SUBJECT TO CHANGE WITHOUT NOTICE. IT IS CONFIDENTIAL AND A PROPERTY OF Amphenol LTW. DISCLOSURE TO THIRD PARTY HAS TO BE AUTHORIZED BY Amphenol LTW.

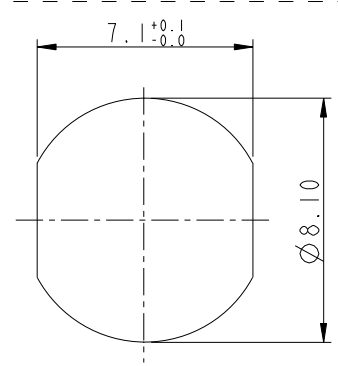
REV.	ECN NO.	DATE	SIGN	DESCRIPTION
B	LE31410394~96	2014-01-09	Tony_leng	Change Ball No. & Wire Length
C	E191630	2019-09-17	Ruru	Update Wire Tolerance

8-03PMMS-SH7AXX

15: 150mm
 20: 200mm
 95: 950mm
 Cable Pitch Unit=50mm
 A0: 1000mm
 A5: 1500mm
 Cable Pitch Unit=100mm
 Wire Length (L): 150~1500 mm



Pin Assignment Front View



Recommended Panel Cut-Out

4	Black	黑
3	Blue	藍
1	Brown	棕
Conn.	Wire Color	Pin Out

Note:
 * Important Dimension.
 * Waterproof Rate: IP67
 * Housing: Nylon+GF, Black
 * Male Pin: Copper Alloy, Gold Plated
 * Shield: Zinc Alloy, Nickel Plated
 * Nut: Copper Alloy, Nickel Plated
 * O-Ring: EPDM, Black
 * Wire Harness: UL1007, 24AWG
 * For Panel Thickness Max 3.5mm
 * Nut Torque: 4-6 kgf.cm
 * Wire harness Tolerance: 150~300±15mm
 301~1000±20mm
 Over1000 ±50/-0mm

UNIT:mm		TITLE		ITEM NO		DRAWN BY		DATE	
		M12 Panel with wire harness		8-03PMMS-SH7AXX		Ruru		2019-09-17	
TOLERANCE		SCALE		DWG NO		CHECKED BY		DATE	
.X ±0.25		1:1		8-03PMMS-SH7AXX		Rita		2019-09-17	
.XX ±0.1		SIZE A4		CUSTOMER		APPROVED BY		DATE	
.XXX ±0.05		REV. C		ALTW		Max		2019-09-17	
ANGLES ±1°		WC-REV. B.2							
		Inspection item							

Amphenol LTW
 安費諾亮泰企業股份有限公司