

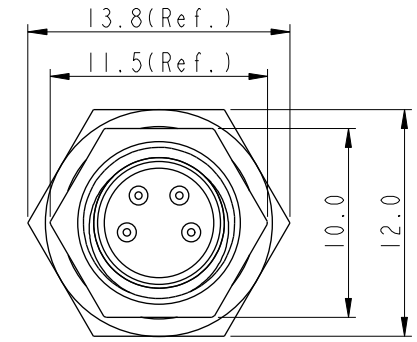
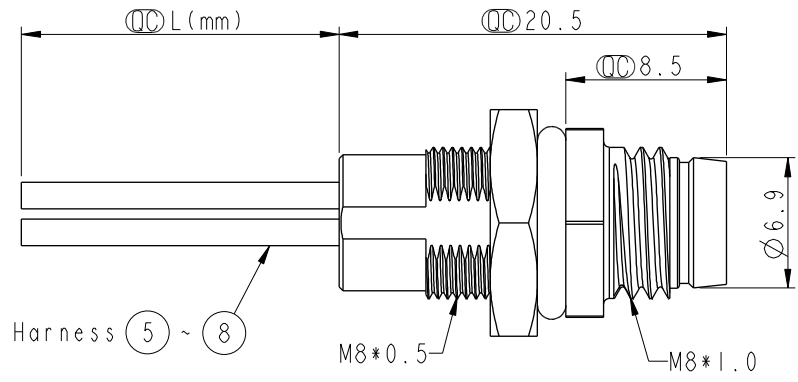
THIS DOCUMENT IS SUBJECT TO CHANGE WITHOUT NOTICE. IT IS CONFIDENTIAL AND A PROPERTY OF Amphenol LTW. DISCLOSURE TO THIRD PARTY HAS TO BE AUTHORIZED BY Amphenol LTW.

REV.	ECN NO.	DATE	SIGN	DESCRIPTION
B	LE31410397~99	2014-01-09	Tony_leng	Change Ball No. & Wire Length
C	E191630	2019-09-18	Ruru	Update Wire Tolerance

8-04PMMS-SH7AXX $\triangle B \triangle C$

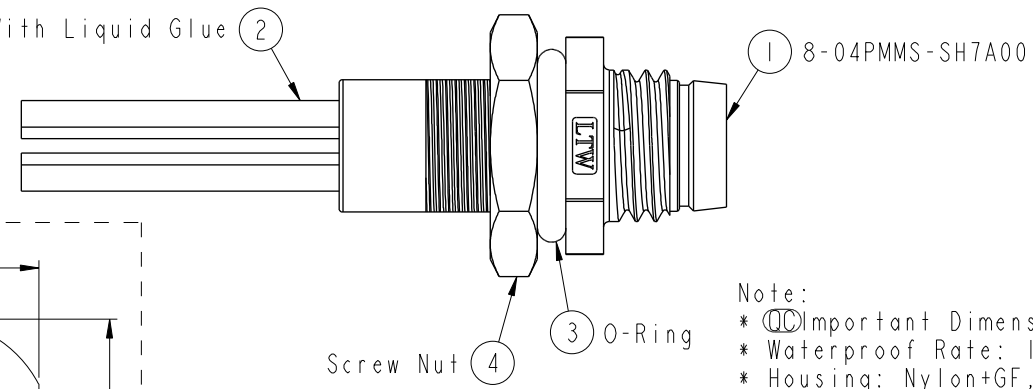
15: 150mm
20: 200mm
↓
95: 950mm
Cable Pitch Unit=50mm

A0: 1000mm
↓
A5: 1500mm
Cable Pitch Unit=100mm
Wire Length (L): 150~1500 mm

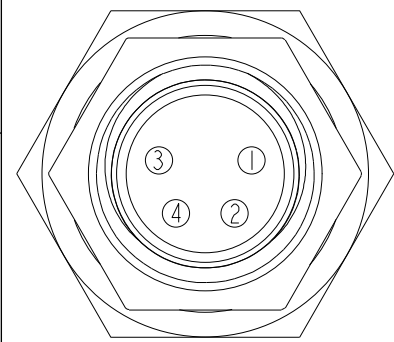


Wire Harness ⑤ ~ ⑧

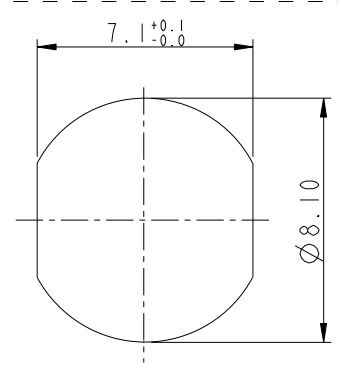
With Liquid Glue ②



ALTW
CONFIDENTIAL
2019-09-18
R&D DEPT.



Pin Assignment
Front View



Recommended
Panel Cut-Out

4	Black	黑
3	Blue	藍
2	White	白
1	Brown	棕
Conn.	Wire Color	Pin Out

Note:
 * CC Important Dimension.
 * Waterproof Rate: IP67
 * Housing: Nylon+GF, Black
 * Male Pin: Copper Alloy, Gold Plated
 * Shield: Zinc Alloy, Nickel Plated
 * Nut: Copper Alloy, Nickel Plated
 * O-Ring: EPDM, Black
 * Wire Harness: UL1007, 24AWG
 * For Panel Thickness Max 3.5mm
 * Nut Torque: 4-6 kgf.cm
 * Wire harness Tolerance: 150~300±15mm
 301~1000±20mm
 Over1000 ±50/-0mm

UNIT:mm	TITLE	ITEM NO	DATE
C B	M12 Panel with wire harness	8-04PMMS-SH7AXX	2019-09-18
TOLERANCE .X ±0.25 .XX ±0.1 .XXX ±0.05 ANGLES ±1°	SCALE 1:1 SIZE A4 SHEET 1 OF 1	CHECKED BY Rita	DATE 2019-09-18
REV. C WC-REV. B.2 CC : Inspection item	Amphenol LTW 安費諾亮泰企業股份有限公司	APPROVED BY Max	DATE 2019-09-18
		CUSTOMER ALTW	