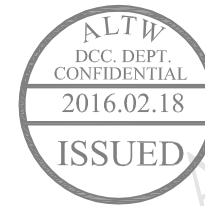
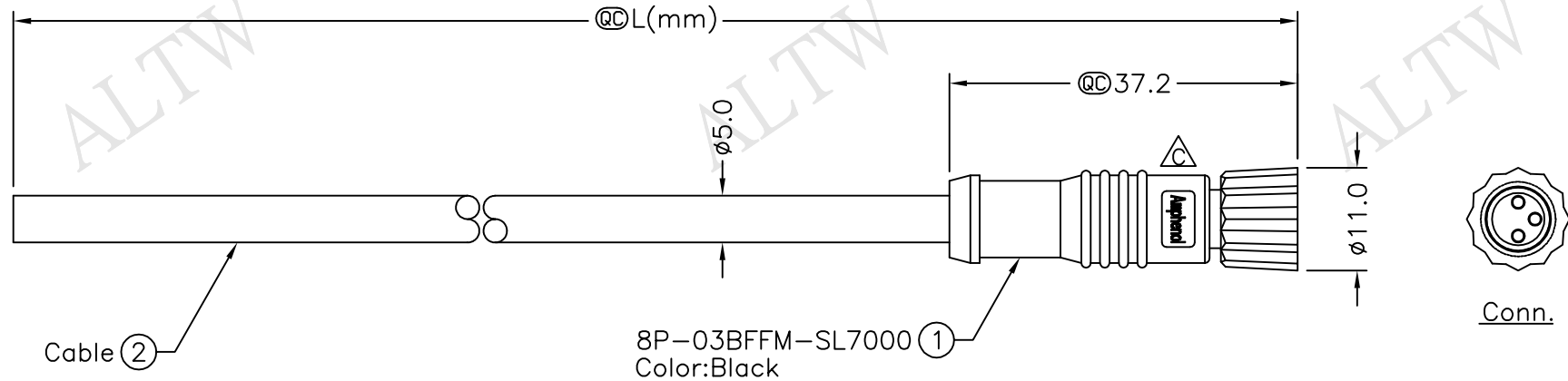


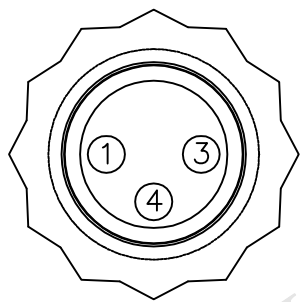
REV.	ECN NO.	DATE	SIGN	DESCRIPTION
B	LEN-920271~274	2009/02/09	Vicky	Update the drawing.
C	LEN1620160~164	2016/02/01	Ruru	Change Logo



8P-03BFFM-SL7AXX
 XX:01~99Meters
 01:01Meter
 02:02Meters
 :
 :
 99:99Meters
 Cable Length(L):01~99Meters

Notes:

- * \textcircled{C} Important Dimension.
- * Waterproof Rate: IP67.
- * Connector: PU, Black.
- * Female Pin: Copper Alloy, Gold Plated.
- * Cable:UL2464 22AWG*3C+Talcum, PVC Jacket, UV Resistant, OD=5.0mm, Black.
- * Cable Length Tolerance: 01M:±40mm
 02M~05M:±60mm
 06M~10M:±100mm
 11M~30M:±200mm
 31M~99M:±500mm



Pin Assignments
Front View

4	Black	黑
3	Blue	藍
1	Brown	棕
Conn.	Wire Color	
	Pin Out	

UNIT:mm	
TOLERANCE	±0.5 mm

TITLE	M8 Conn	
	Cable Screw 3P F Conn F Pin	
SCALE	Free	SHEET 1 OF 1
REV.	C	SIZE A4
		\textcircled{C} : Inspection Item

Amphenol LTW
 安費諾亮泰企業股份有限公司

ITEM NO	DRAWN BY	DATE
	Ruru	2016/02/01
DWG NO	CHECKED BY	DATE
8P-03BFFM-SL7AXX	Rita	2016/02/01
CUSTOMER	APPROVED BY	DATE
ALTW	Lisa	2016/02/01

THIS DOCUMENT IS SUBJECT TO CHANGE WITHOUT NOTICE. IT IS CONFIDENTIAL AND A PROPERTY OF Amphenol LTW. DISCLOSURE TO THIRD PARTY HAS TO BE AUTHORIZED BY Amphenol LTW.