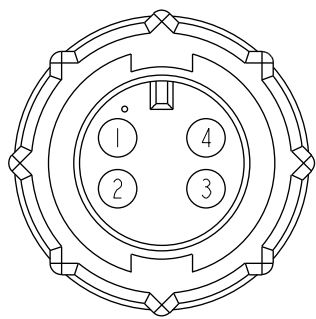
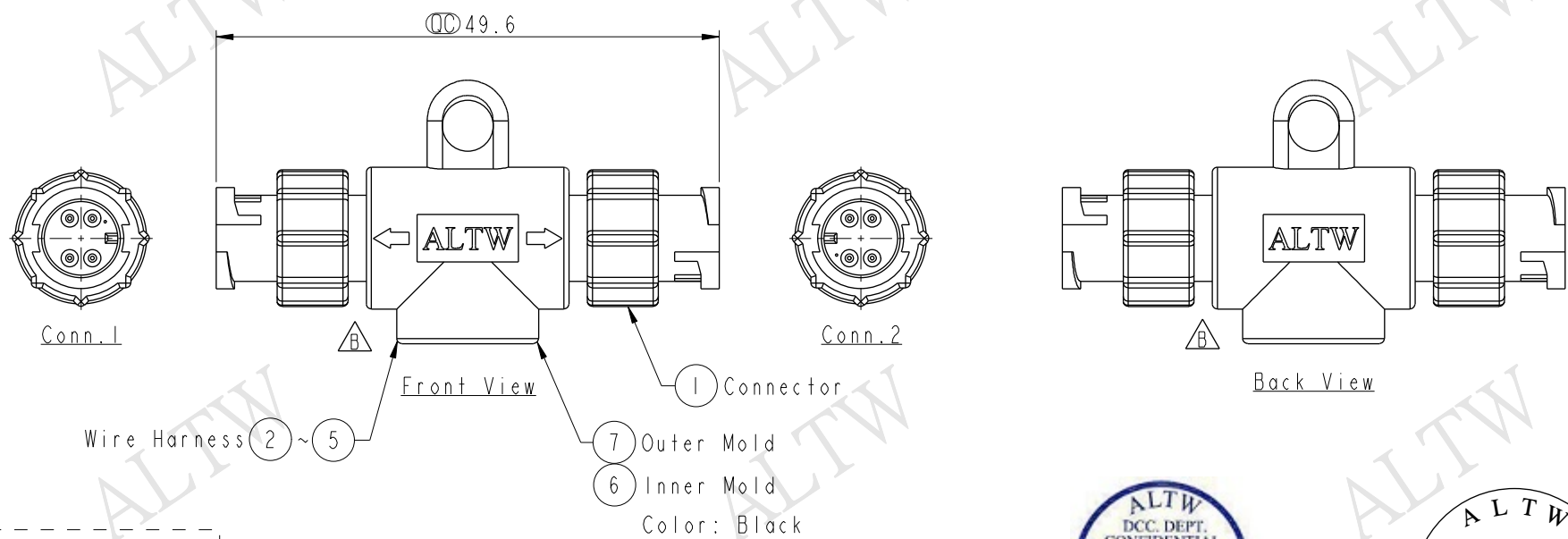


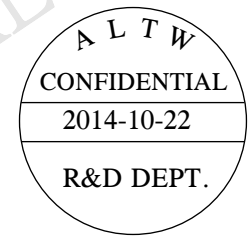
THIS DOCUMENT IS SUBJECT TO CHANGE WITHOUT NOTICE. IT IS CONFIDENTIAL AND A PROPERTY OF Amphenol LTW. DISCLOSURE TO THIRD PARTY HAS TO BE AUTHORIZED BY Amphenol LTW.

REV.	ECN NO.	DATE	SIGN	DESCRIPTION
A	Initial Release	2012/10/25	Ruru	AA-000404-0MM-IL To AA-000404-0MM-IL001
B	LE314B0035	2014/10/22	Vicky	Modify Logo & Add Back View



Conn.1&2
Pin Assignments
Front View

4	Green	綠	4
3	Yellow	黃	3
2	Black	黑	2
1	Red	紅	1
Conn.1	Wire Color		Conn.2
Pin Out			



- Note:
- * \varnothing Important Dimension.
 - * Waterproof Rate: IP67
 - * Connector: Nylon+GF, Black
 - * Male Pin: Copper Alloy, Gold Plated
 - * Wire Harness: UL1007 26AWG

UNIT:mm	
TOLERANCE	±0.5 mm

TITLE Mini I Adaptor Lock 4Pin MM Conn MM Pin			
SCALE 3:2	SIZE A4	SHEET 1 OF 1	
REV. B	WC-REV. A.1	\varnothing : Inspection item	

Amphenol LTW
安費諾亮泰企業股份有限公司

ITEM NO	DRAWN BY	DATE
AA-000404-0MM-IL001	Vicky	2014-10-22
DWG NO	CHECKED BY	DATE
AA-000404-0MM-IL001	Sam	2014-10-22
CUSTOMER	APPROVED BY	DATE
ALTW	Rita	2014-10-22