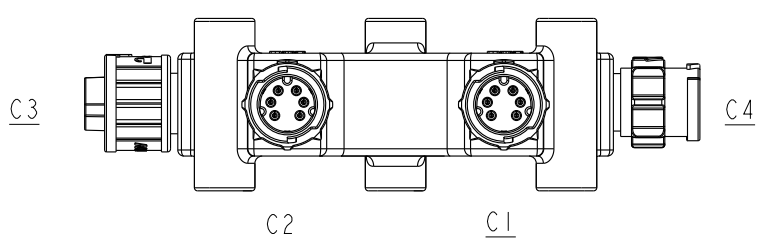
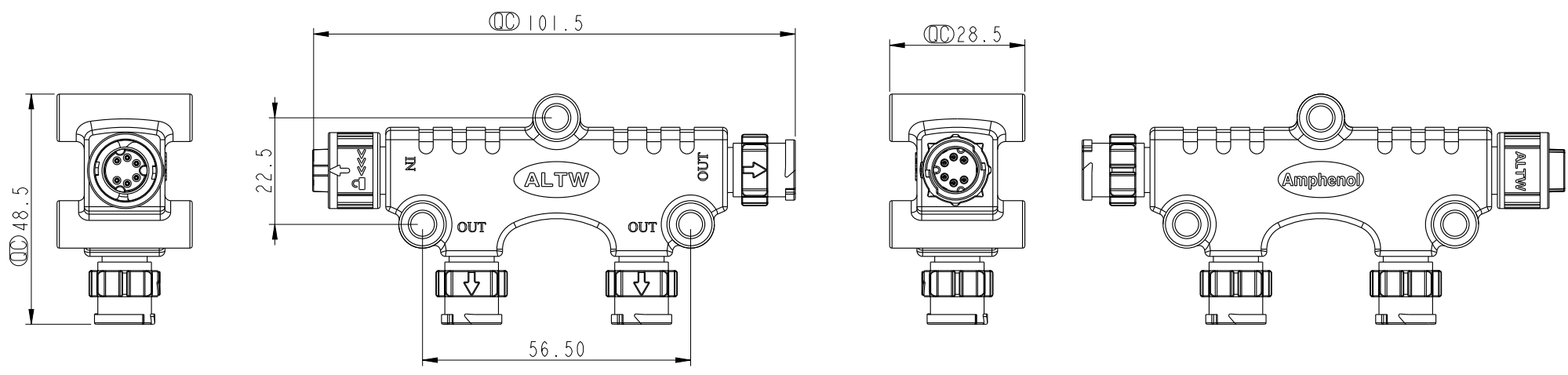




THIS DOCUMENT IS SUBJECT TO CHANGE WITHOUT NOTICE. IT IS CONFIDENTIAL AND A PROPERTY OF Amphenol LTW. DISCLOSURE TO THIRD PARTY HAS TO BE AUTHORIZED BY Amphenol LTW.

REV.	ECN NO.	DATE	SIGN	DESCRIPTION
A		2022/01/06	Xiaofeng	Initial Release



Note:

- * \varnothing Important Dimension To Check.
- * Waterproof Rate: IPX8, Mated 1M/24H.
- * C1 & C2 & C4
 Housing: Thermoplastic, Black
 Male Pin: Copper Alloy, Gold plated
 Nut: Thermoplastic, Black
- * C3
 Housing: Thermoplastic, Black
 Female Pin: Copper Alloy, Gold plated
 Nut: Thermoplastic, Black

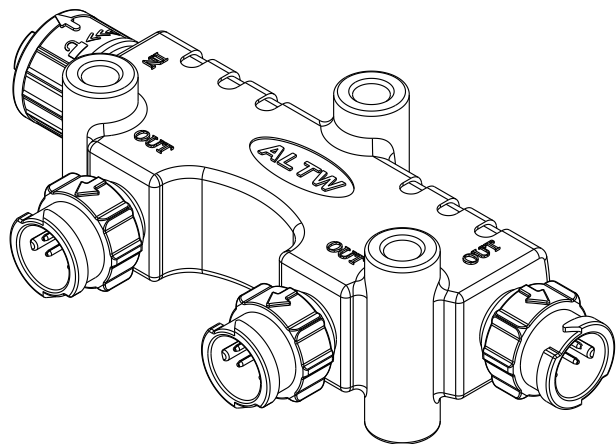
UNIT: mm  
 TOLERANCE $\pm 0.50\text{mm}$

TITLE ACC, XLOK, A-2A, MULTI-PORT CONN, MMFM, 6666			
SCALE 1:1	SIZE A4	SHEET 1 OF 2	
REV. A	WC-REV. .0	\varnothing : Inspection item	

Amphenol LTW
 安費諾亮泰企業股份有限公司

ITEM NO.	DRAWN BY Xiaofeng	DATE 2022/01/06
DWG NO. AB-AU-XXXX00-MMFM00-0001	CHECKED BY Feng-Li	DATE 2022/01/06
CUSTOMER ALTW	APPROVED BY Jerry	DATE 2022/01/06

THIS DOCUMENT IS SUBJECT TO CHANGE WITHOUT NOTICE. IT IS CONFIDENTIAL AND A PROPERTY OF Amphenol LTW. DISCLOSURE TO THIRD PARTY HAS TO BE AUTHORIZED BY Amphenol LTW.



AB-AD-XXXX00-MMFM00-Q001

Connector Type:

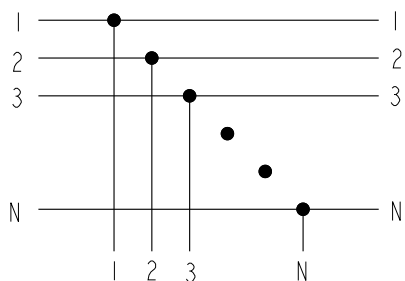
02: 2Pin

03: 3Pin

.

.

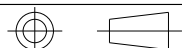
N: N Pin



Connection Diagram

	6PIN														
Female															
Male															
Pin Out	<table border="1"> <thead> <tr> <th>Pin</th> <th>Color</th> </tr> </thead> <tbody> <tr> <td>Pin1</td> <td>Green</td> </tr> <tr> <td>Pin2</td> <td>Red</td> </tr> <tr> <td>Pin3</td> <td>Black</td> </tr> <tr> <td>Pin4</td> <td>White</td> </tr> <tr> <td>Pin6</td> <td>Blue</td> </tr> <tr> <td>Pin7</td> <td>Orange</td> </tr> </tbody> </table>	Pin	Color	Pin1	Green	Pin2	Red	Pin3	Black	Pin4	White	Pin6	Blue	Pin7	Orange
Pin	Color														
Pin1	Green														
Pin2	Red														
Pin3	Black														
Pin4	White														
Pin6	Blue														
Pin7	Orange														

UNIT:mm



TOLERANCE

±0.50mm

TITLE ACC, XLOK, A-2A, MULTI-PORT
CONN, MMFM, 6666

SCALE	1:1	SIZE	A4	SHEET	2	OF	2
REV.	A	WC-REV.	.0	QC: Inspection item			

Amphenol LTW

安費諾亮泰企業股份有限公司

ITEM NO

DRAWN BY
Xiafeng

DATE
2022/01/06

DWG NO
AB-AU-XXXX00-MMFM00-Q001

CHECKED BY
Feng-Li

DATE
2022/01/06

CUSTOMER
ALTW

APPROVED BY
Jerry

DATE
2022/01/06