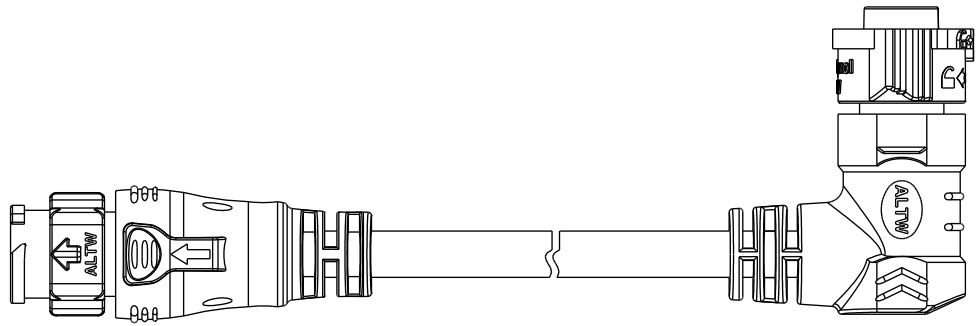
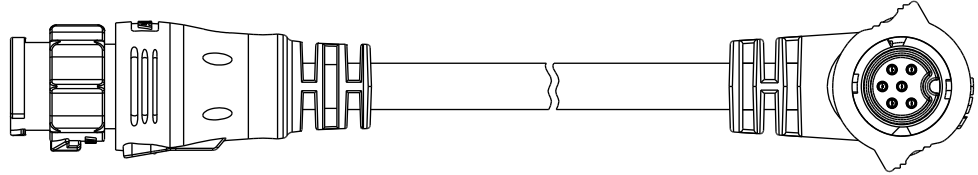
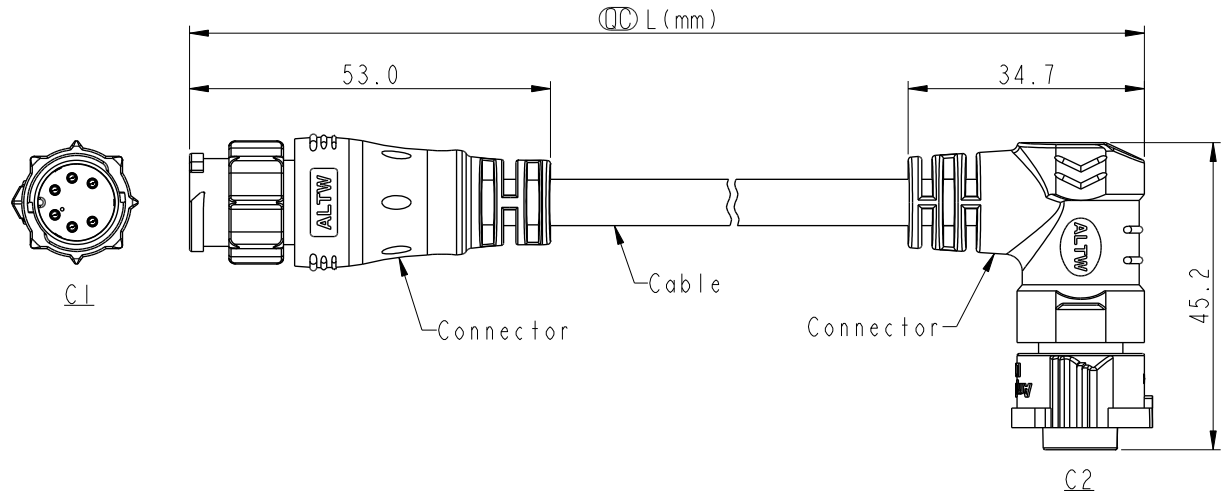


THIS DOCUMENT IS SUBJECT TO CHANGE WITHOUT NOTICE. IT IS CONFIDENTIAL AND A PROPERTY OF AMPHENOL LTW. DISCLOSURE TO THIRD PARTY HAS TO BE AUTHORIZED BY AMPHENOL LTW.

REV.	ECN NO.	DATE	SIGN	DESCRIPTION
A		2020/01/20	Vicky	Initial Released
B	C200652	2020/05/15	Wesley Lin	$\triangle B$ X1
C	C220473	2022/03/28	Vicky	$\triangle C$ X2



$\triangle C$

Note:

- \* RoHS Compliant
- \*  $\circ\circ$  Important dimension
- \* C1  
Waterproof rate: IPX8, mated 1m/24h  
Housing: Thermoplastic, Black  
Pin: Copper alloy, Gold plated  
Outer Mold: Thermoplastic, Black
- \* C2  
Waterproof rate: IPX8, mated 1m/24h  
Housing: Thermoplastic, Black  
Pin: Copper alloy, Gold plated  
O-Ring: Rubber, Dark gray  
Nut: Thermoplastic, Black  
Outer Mold: Thermoplastic, Black
- \* Cable: UL21388, PVC Jacket, Black
- \* Cable length tolerance:
 

0.5M < L ≤ 1M	: +60/-0 mm
1M < L ≤ 3M	: +120/-0 mm
3M < L ≤ 5M	: +160/-0 mm
5M < L ≤ 10M	: ±100 mm
10M < L ≤ 20M	: ±200 mm
20M < L ≤ 30M	: ±300 mm
30M < L ≤ 99M	: ±500 mm

UNIT: mm		TITLE	ACC, XLOK, B-5A, DB-ENDED MF		
TOLERANCE	$\pm 0.5\text{mm}$	SCALE	1:2	SIZE	A4
		REV.	C	WC-REV.	.0
				$\circ\circ$	Inspection item

**Amphenol LTW**  
安費諾亮泰企業股份有限公司

ITEM NO.	DRAWN BY	DATE
	Vicky	2020-01-20
DWG NO.	CHECKED BY	DATE
AB-BDXXML-BDBR-QDXXX	Rita	2020-01-20
CUSTOMER	APPROVED BY	DATE
ALTW	Max	2020-01-20

THIS DOCUMENT IS SUBJECT TO CHANGE WITHOUT NOTICE. IT IS CONFIDENTIAL AND A PROPERTY OF AMPHENOL LTW. DISCLOSURE TO THIRD PARTY HAS TO BE AUTHORIZED BY AMPHENOL LTW.

6P	PVC	6.8	20	AB-BD06ML-BDBR-QDXXX
5P		6.2		AB-BD05ML-BDBR-QDXXX
4P		6.0		AB-BD04ML-BDBR-QDXXX
3P		5.5		AB-BD03ML-BDBR-QDXXX
2P		5.5		AB-BD02ML-BDBR-QDXXX
Contacts	Cable Jacket	Cable OD	AWG	Item No.

$\triangle$ XX: No. Of Pin  
 AB-BD XX ML-BDBR-QD XXX  
 XXX: 0.5~99Meters  
 A05: 0.5 Meter  
 001: 01 Meter  
 002: 02 Meters  
 :  
 099: 99 Meters

Pin Out	2 Brown 1 Black	3 Red 2 Brown 1 Black	4 Orange 3 Red 2 Brown 1 Black	5 Yellow 4 Orange 3 Red 2 Brown 1 Black	6 Green 5 Yellow 4 Orange 3 Red 2 Brown 1 Black
	Pin # Wire	Pin # Wire	Pin # Wire	Pin # Wire	Pin # Wire
C2					
	2P	3P	4P	5P	6P
C1					
	2P	3P	4P	5P	6P

Pin Assignments Front View

UNIT:mm		TITLE	ACC, XLOK, B-5A, DB-ENDED MF		
TOLERANCE	$\pm 0.5mm$	SCALE	1:2	SIZE	A4
		REV.	C	WC-REV.	.0
			SHEET 2 OF 2		
			☉: Inspection item		

**Amphenol LTW**  
 安費諾亮泰企業股份有限公司

ITEM NO	AB-BDXXML-BDBR-QDXXX	DRAWN BY	Vicky	DATE	2020-01-20
DWG NO	AB-BDXXML-BDBR-QDXXX	CHECKED BY	Rita	DATE	2020-01-20
CUSTOMER	ALTW	APPROVED BY	Max	DATE	2020-01-20