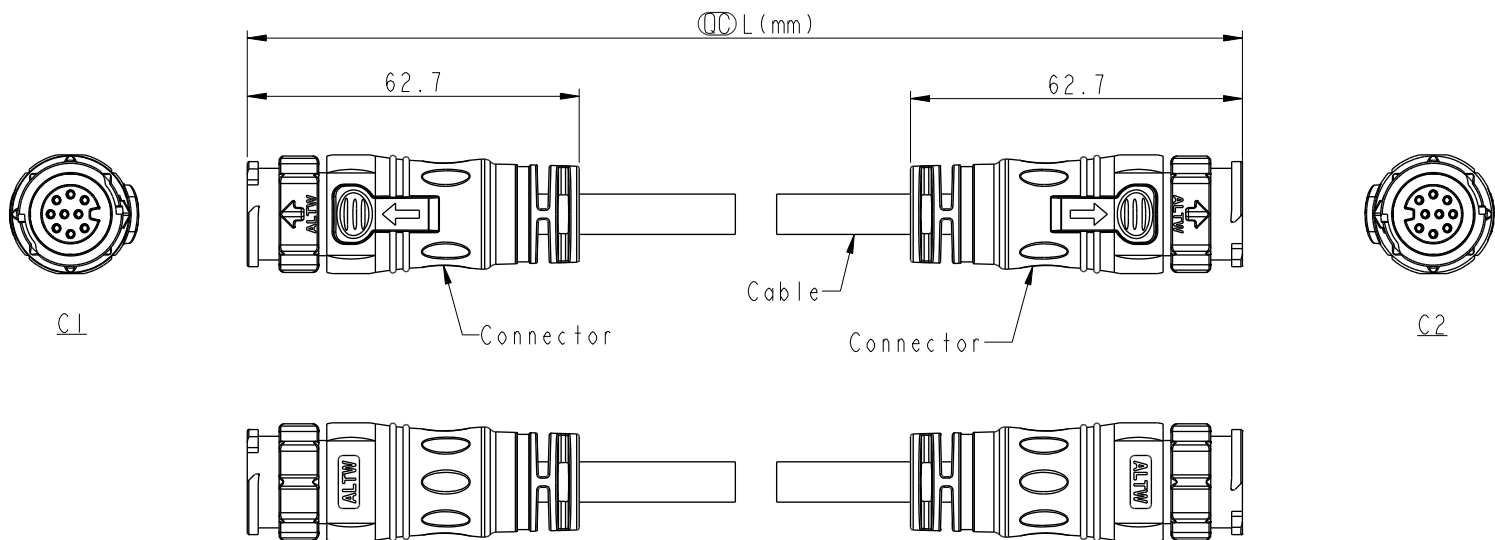


THIS DOCUMENT IS SUBJECT TO CHANGE WITHOUT NOTICE. IT IS CONFIDENTIAL AND A PROPERTY OF Amphenol LTW. DISCLOSURE TO THIRD PARTY HAS TO BE AUTHORIZED BY Amphenol LTW.

REV.	ECN NO.	DATE	SIGN	DESCRIPTION
A		2020/01/10	Ruru	Initial Released
B	C220463	2022/03/29	Ruru	$\triangle B$ X2



Note:  $\triangle B$

- \* RoHS Compliant
- \*  $\circ$  Important dimension
- \* Waterproof rate: IPX8, mated 1m/24h
- \* Connector  
 Housing: Thermoplastic, Black  
 Pin: Copper Alloy, Gold Plated  
 Outer mold: Thermoplastic, Black
- \* Cable: UL21388, PVC Jacket, Black
- \* Cable length tolerance:
 

0.5M < L ≤ 1M:	+60/-0 mm
1M < L ≤ 3M:	+120/-0 mm
3M < L ≤ 5M:	+160/-0 mm
5M < L ≤ 10M:	±100 mm
10M < L ≤ 20M:	±200 mm
20M < L ≤ 30M:	±300 mm
30M < L ≤ 99M:	±500 mm

UNIT:mm	
TOLERANCE	±0.5 mm

TITLE ACC, XLOK, C-5A, DB-ENDED MM			
SCALE 1:2	SIZE A4	SHEET 1 OF 2	
REV. B	WC-REV.	$\circ$ : Inspection item	

**Amphenol LTW**  
安費諾亮泰企業股份有限公司

ITEM NO	DRAWN BY Ruru	DATE 2020-01-10
DWG NO AB-CDXXHL-CDHL-QDXXX	CHECKED BY Rita	DATE 2020-01-10
CUSTOMER ALTW	APPROVED BY Max	DATE 2020-01-10

THIS DOCUMENT IS SUBJECT TO CHANGE WITHOUT NOTICE. IT IS CONFIDENTIAL AND A PROPERTY OF Amphenol LTW. DISCLOSURE TO THIRD PARTY HAS TO BE AUTHORIZED BY Amphenol LTW.

9P	PVC	7.6	20	AB-CD09HL-CDHL-QDXXX
8P		7.2		AB-CD08HL-CDHL-QDXXX
7P		6.8		AB-CD07HL-CDHL-QDXXX
Contacts	Cable Jacket	Cable OD	AWG	Item No.

AB- CD XX H L - CD H L - Q D XXX



XX: No. Of Pin

XXX: 0.5~99Meters  
A05: 0.5 Meter  
001: 01 Meter  
002: 02 Meters  
:  
099: 99 Meters

Pin Out	7	Orange	橙	8	Green	綠	9	Brown	棕
	6	Blue	藍	7	Orange	橙	8	Green	綠
	8	Green	綠	6	Blue	藍	6	Blue	藍
	4	Yellow	黃	5	Purple	紫	5	Purple	紫
	3	Black	黑	4	Yellow	黃	4	Yellow	黃
	2	Red	紅	3	Black	黑	3	Black	黑
	1	Brown	棕	2	Red	紅	2	Red	紅
				1	Brown	棕	1	Gray	灰
	Pin #	Wire		Pin #	Wire		Pin #	Wire	
C1 & C2									
	7P			8P			9P		
Pin Assignments Front View									

UNIT:mm		
TOLERANCE	± 0.5 mm	

TITLE ACC, XLOK, C-5A, DB-ENDED MM		
SCALE 1:2	SIZE A4	SHEET 2 OF 2
REV. B	WC-REV.	: Inspection item

**Amphenol LTW**  
安費諾亮泰企業股份有限公司

ITEM NO	DRAWN BY Ruru	DATE 2020-01-10
DWG NO AB-CDXXHL-CDHL-QDXXX	CHECKED BY Rita	DATE 2020-01-10
CUSTOMER ALTW	APPROVED BY Max	DATE 2020-01-10