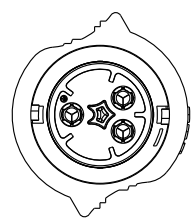
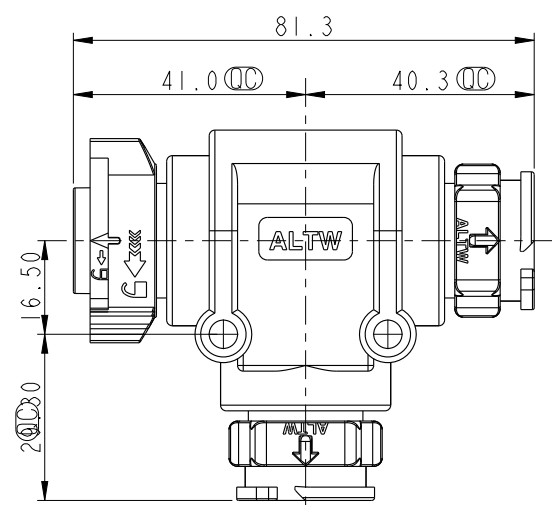


THIS DOCUMENT IS SUBJECT TO CHANGE WITHOUT NOTICE. IT IS CONFIDENTIAL AND A PROPERTY OF Amphenol LTW. DISCLOSURE TO THIRD PARTY HAS TO BE AUTHORIZED BY Amphenol LTW.

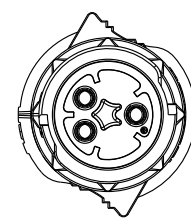
REV.	ECN NO.	DATE	SIGN	DESCRIPTION
B	C191866	2019-11-06	Ouyang	△BX5



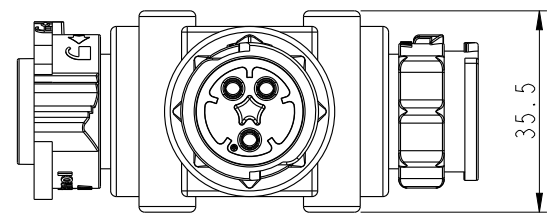
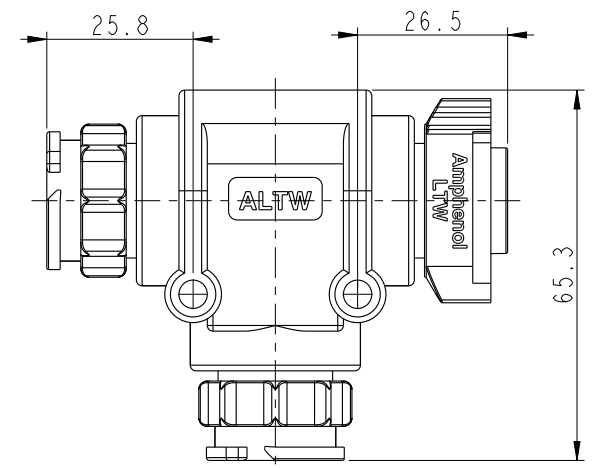
△ Conn.2  
Female Conn  
Male Pin



△ Conn.1  
Male Conn  
Female Pin



△ Conn.3  
Male Conn  
Female Pin



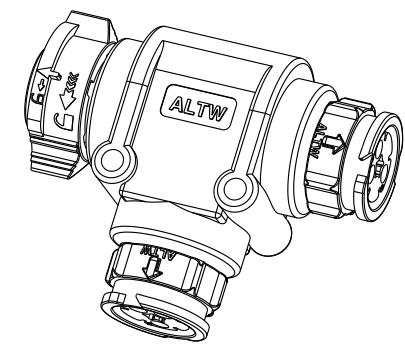
- Note:
- \* Ⓞ Important Dimension To Check.
  - \* Waterproof Rate: IP68(Mated).
  - \* Housing: Thermoplastic,Black.
  - \* Nut: Thermoplastic,Black.
  - \* Pin: Copper Alloy, Gold Plated
  - \* O-Ring: Silicone, Gray

UNIT:mm			TITLE T Adaptor X-Lok, D Size
TOLERANCE ±0.5mm	SCALE 1:1	SIZE A4	SHEET 1 OF 2
REV. B	WC-REV. .0	Ⓞ: Inspection item	

**Amphenol LTW**  
安費諾亮泰企業股份有限公司

ITEM NO	DRAWN BY Ouyang	DATE 2019-09-06
DWG NO AB-DC-XXXXXX-HBH-T001	CHECKED BY Jerry	DATE 2019-09-06
CUSTOMER ALTW	APPROVED BY Fred	DATE 2019-09-06

THIS DOCUMENT IS SUBJECT TO CHANGE WITHOUT NOTICE. IT IS CONFIDENTIAL AND A PROPERTY OF Amphenol LTW. DISCLOSURE TO THIRD PARTY HAS TO BE AUTHORIZED BY Amphenol LTW.

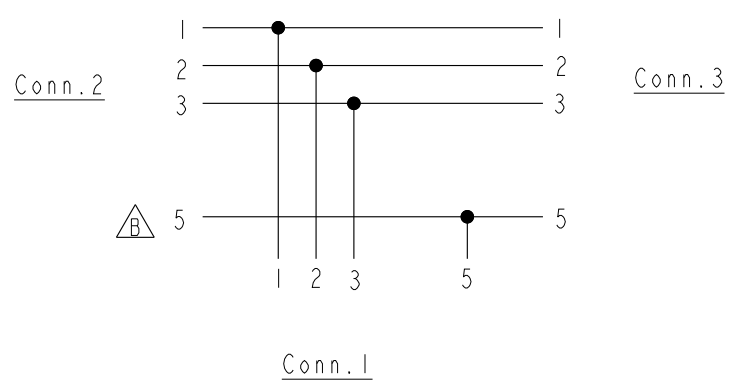


AB-DC-XXXXXX-HBH-TQ001

Connector Type:

03: 3Pin  
04: 4Pin

05: 5Pin



Connection Diagram

	Pin Assignments Front View					
	3PIN		4PIN		5PIN	
MALE						
Female						
Pin Out	Pin#	Color	Pin#	Color	Pin#	Color
	Pin1	Black(黑)	Pin1	Black(黑)	Pin1	Black(黑)
	Pin3	Red(紅)	Pin2	Brown(棕)	Pin2	Brown(棕)
	Pin5	Yellow(黃)	Pin4	Orange(橙)	Pin3	Red(紅)
			Pin5	Yellow(黃)	Pin4	Orange(橙)
					Pin5	Yellow(黃)

UNIT:mm		TITLE	T Adaptor X-Lok, D Size		
TOLERANCE	±0.5mm	SCALE	1:1	SIZE	A4
		REV.	B	WC-REV.	.0
		SHEET	2	OF	2
		Inspection item			

**Amphenol LTW**  
安費諾亮泰企業股份有限公司

ITEM NO	DRAWN BY	DATE
	Ouyang	2019-09-06
DWG NO	CHECKED BY	DATE
AB-DC-XXXXXX-HBH-TQ001	Jerry	2019-09-06
CUSTOMER	APPROVED BY	DATE
ALTW	Fred	2019-09-06