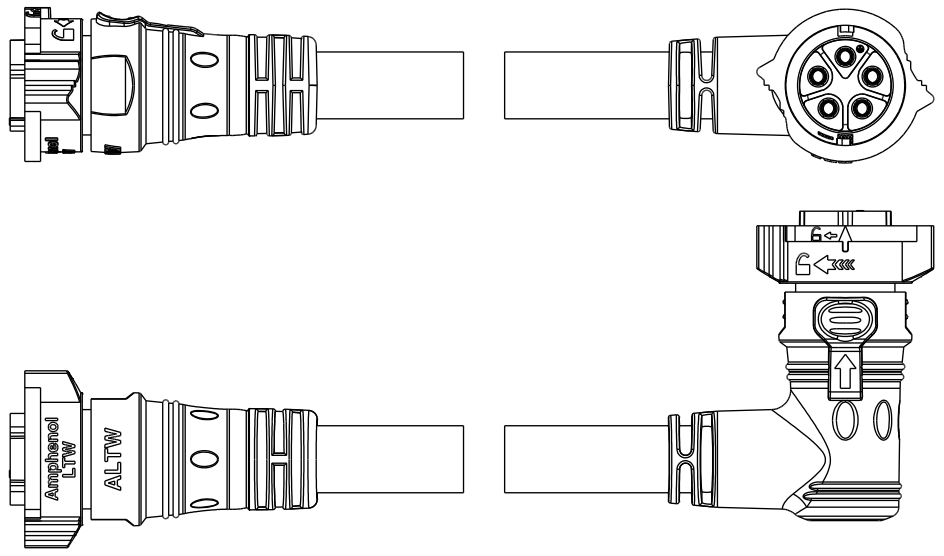
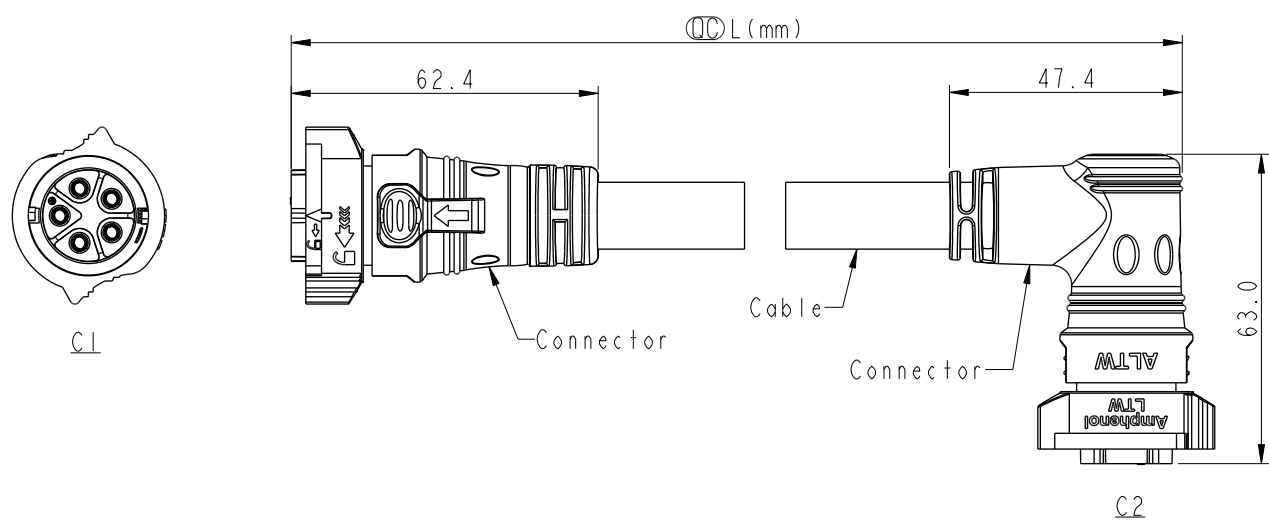


THIS DOCUMENT IS SUBJECT TO CHANGE WITHOUT NOTICE. IT IS CONFIDENTIAL AND A PROPERTY OF Amphenol LTW. DISCLOSURE TO THIRD PARTY HAS TO BE AUTHORIZED BY Amphenol LTW.

REV.	ECN NO.	DATE	SIGN	DESCRIPTION
A		2020/01/13	Ruru	Initial Released



- Note:
- * \varnothing Important Dimension.
 - * Waterproof Rate: IP68, Mated.
IP68: 1M depth of water in 24 hours.
 - * Connector: Thermoplastic, Black.
 - * Pin: Copper Alloy, Gold Plated.
 - * Cable: SJTW, PVC Jacket, Black.
 - * Cable Length Tolerance:
 - 0.5M: +60/-0mm
 - 01M: +60/-0mm
 - 02~03M: +120/-0mm
 - 04~05M: +160/-0mm
 - 06~10M: ±100mm
 - 11~20M: ±200mm
 - 21~30M: ±300mm
 - 31~99M: ±500mm

UNIT:mm		
TOLERANCE	±0.5 mm	

TITLE ACC, XLOK, D-20A, DB-ENDED FF		
SCALE 1:2	SIZE A4	SHEET 1 OF 2
REV. A	WC-REV.	\varnothing : Inspection item

Amphenol LTW
安費諾亮泰企業股份有限公司

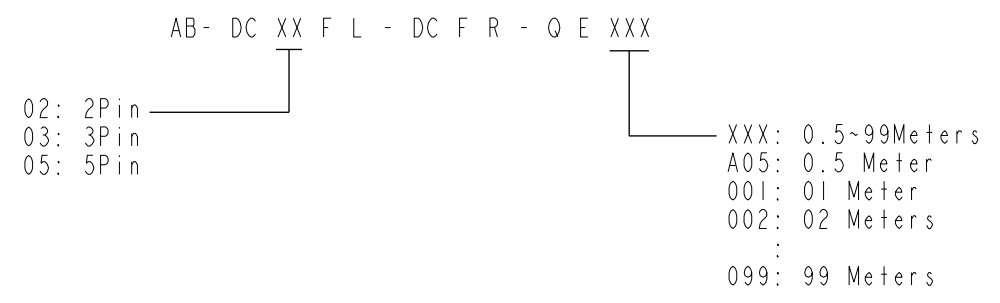
ITEM NO.	DRAWN BY Ruru	DATE 2020-01-13
DWG NO. AB-DCXXFL-DCFR-QEXXX	CHECKED BY Rita	DATE 2020-01-13
CUSTOMER ALTW	APPROVED BY Max	DATE 2020-01-13

THIS DOCUMENT IS SUBJECT TO CHANGE WITHOUT NOTICE. IT IS CONFIDENTIAL AND A PROPERTY OF AMPHENOL LTW. DISCLOSURE TO THIRD PARTY HAS TO BE AUTHORIZED BY AMPHENOL LTW.

5P		PVC	13.6	12	AB-DC05FL-DCFR-QEXXX
3P			11.7		AB-DC03FL-DCFR-QEXXX
2P			10.7		AB-DC02FL-DCFR-QEXXX
Contacts	Cable Jacket	Cable OD	AWG	Item No.	

Pin Out	Pin #	Wire	Pin #	Wire	Pin #	Wire
2 White 1 Black	2 1	White Black	3 Green 2 White 1 Black	綠 白 黑	5 Brown 4 Red 3 Green 2 White 1 Black	棕 紅 綠 白 黑
C2						
C1						

Pin Assignments Front View



UNIT:mm		TITLE
TOLERANCE	± 0.5 mm	ACC, XLOK, D-20A, DB-ENDED FF
SCALE	1:2	SIZE A4
REV.	A	SHEET 2 OF 2
		WC-REV.
		QC: Inspection item

Amphenol LTW

安費諾亮泰企業股份有限公司

ITEM NO	DRAWN BY	DATE
	Ruru	2020-01-13
DWG NO	CHECKED BY	DATE
AB-DCXXFL-DCFR-QEXXX	Rita	2020-01-13
CUSTOMER	APPROVED BY	DATE
ALTW	Max	2020-01-13